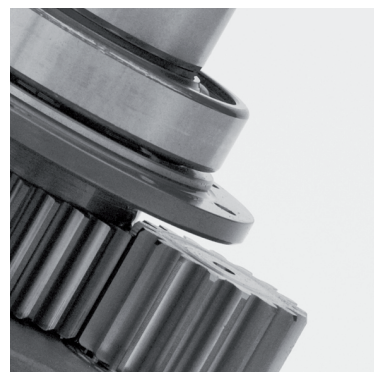
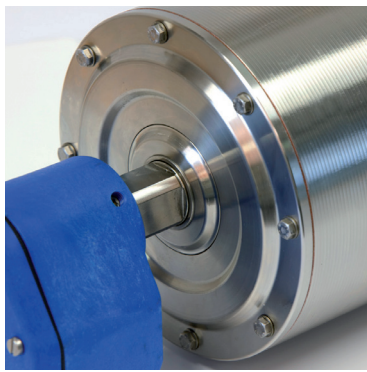


Product information

Drummotors



Van der Graaf
Power Transmission Equipment

www.vandergraafpte.nl



Introduction	4
Product overview	5
Sealings and oil	6
Options	7
Product overview TM 100B25	8
Dimensions	9
Cable exit	11
Brackets drawings	12
Product overview TM 113B25	13
Dimensions	14
Cable exit	16
Brackets drawings	17
Product overview TM 127-25	18
Dimensions drummotors	19
Dimensions taildrums	21
Cable exit	23
Bracket drawings	24
Product overview TM 138-25	25
Dimensions drummotors	26
Dimensions taildrums	28
Cable exit	30
Bracket drawings	31
Product overview TM 160-25	32
Dimensions drummotors	33
Dimensions taildrums	35
Cable exit	37
Bracket drawings	38
Product overview TM 160-30	39
Dimensions drummotors	41
Dimensions taildrums	43
Cable exit	45
Bracket drawings	46
Product overview TM 215-30	47
Dimensions drummotors	49
Dimensions taildrums	51
Cable exit	53
Bracket drawings	54



Product overview TM 215-40	55
Dimensions drummotors	56
Dimensions taildrums	58
Cable exit	60
Bracket drawings	61
Product overview TM 215B50	62
Dimensions	63
Cable exit	64
Product overview TM 273-40	65
Dimensions drummotors	66
Dimensions taildrums	67
Cable exit	68
Bracket drawings	69
Product overview TM 315-40	70
Dimensions drummotors	72
Dimensions taildrums	74
Cable exit	76
Bracket drawings	77
Product overview TM 315-50	78
Dimensions drummotors	79
Dimensions taildrums	81
Cable exit	83
Bracket drawings	84
Product overview TM 400-50	85
Dimensions	86
Cable exit	87
Product overview TM 400-60	88
Dimensions drummotors	89
Dimensions taildrums	90
Cable exit	91
Bracket drawings	92
Product overview TM 500A75	96
Dimensions	97
Cable exit	98
Product overview TM 620A75	99
Dimensions	100
Cable exit	101
Contact us	102



A family business

Van der Graaf, known internationally for its reliability and quality, is a family organization with its head office in Vollenhove, Netherlands.

Top quality and professional service have allowed Van der Graaf to maintain their world leading position in the power transmission industry. With product applications worldwide, Van der Graaf still maintains its down to earth principle:

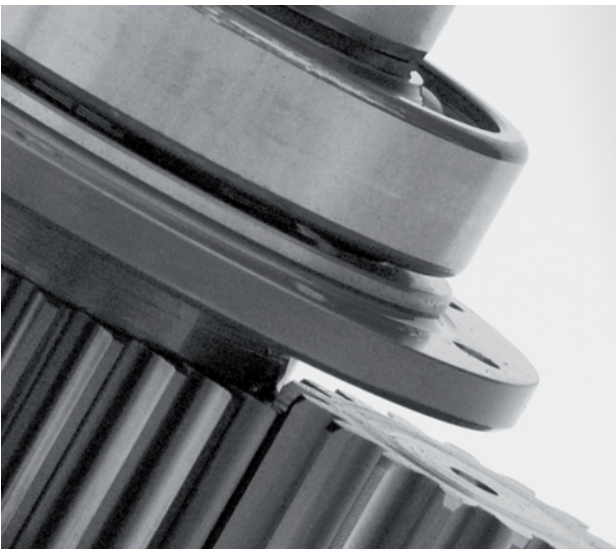
Not just a superior product, but also superior service!



Our products: An overview

Drum motor type	TM 100B25	TM 113B25	TM 127.25	TM 138.25	TM 160.25	TM 160.30	TM 215.30	TM 215.40	TM 215B50
Drum diameter (mm)	100	113	127	138	160	215	273	315	400
Shaft diameter (mm)	25	25	25	25	25	30	30	40	50
Power (kW)	0.05-0.37	0.04-0.55	0.10-1.1	0.10-1.1	0.10-0.75	0.10-2.2	0.10-2.2	0.37-5.5	1.5-4.0
Speed (m/s)	0.007-3.60	0.033-4.40	0.008-2.60	0.009-2.80	0.13-3.30	0.06-4.00	0.08-5.30	0.12-4.70	0.18-0.31

Drum motor type	TM 273.40	TM 315.40	TM 315.50	TM 400.50	TM 400.60	TM 500.60	TM 500A75	TM 620A75
Drum diameter (mm)	273	315	315	400	400	500	500	620
Shaft diameter (mm)	40	40	50	50	60	60	75	75
Power (kW)	0.37-5.5	0.37-5.5	1.1-11	1.1-11	1.5-22	1.5-22	11-30	11-30
Speed (m/s)	0.16-4.95	0.18-5.20	0.16-4.40	0.20-4.80	0.20-4.20	0.25-4.40	0.80-3.20	1.00-3.90

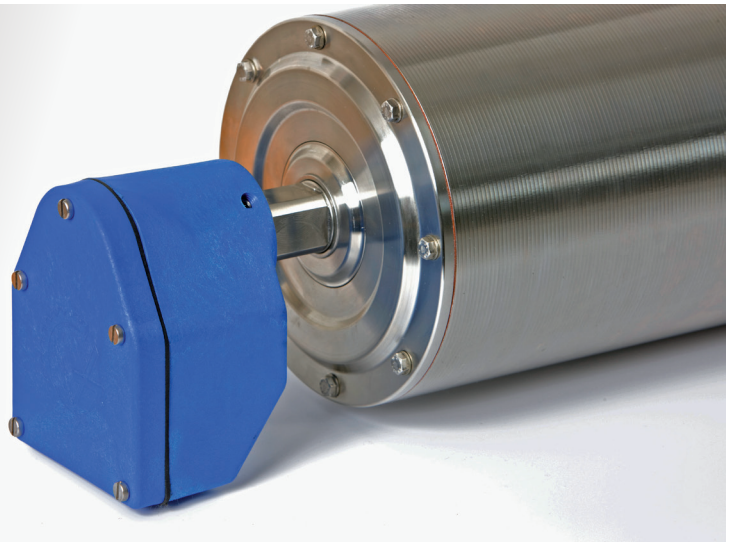


Design benefits

- Robust, industrial design
- Fully enclosed
- Oil filled
- Oversized gears and bearings

Installation advantages

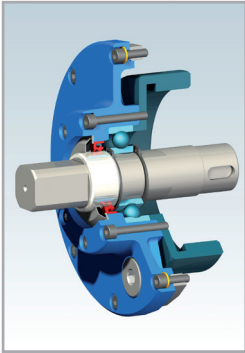
- Easy to install
- Compact and reliable
- Easy to clean
- Virtually maintenance free
- Low Life Cycle Costs





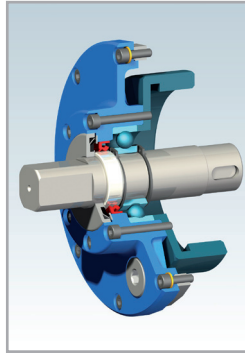
Sealings for mild steel drummotors

RB sealing - IP 66



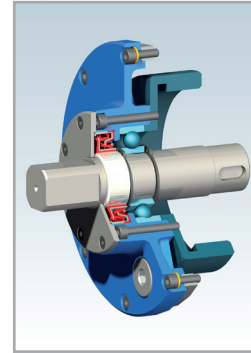
This is Van der Graaf's standard sealing. This type of sealing will work in most conditions.

RBS sealing - IP 66



This sealing is specifically designed for those applications where high water pressure is used for cleaning.

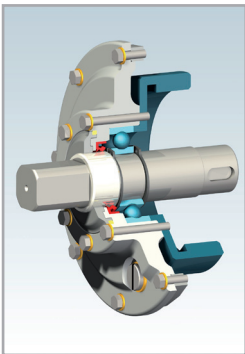
HD sealing - IP 66



This sealing is designed for abrasive applications, like sand, gravel and soil.

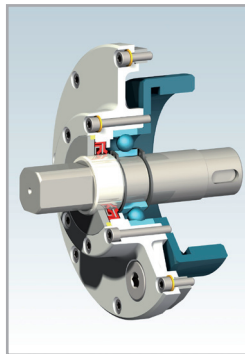
Sealings for stainless steel drummotors

CR sealing - IP 66



This is our standard sealing for stainless steel drummotors, a very effective, self lubricating multi labyrinth sealing.

UW sealing - IP 68



This sealing is suitable for under water applications. The maximum depth is approx 2,5 m.

Oil

The standard oil in a "GV" drummotor is Castrol Alpha SP 100. If the oil needs replacing, it is important that it conforms to ISO VG 100 standards.

For use in the food industry, the drummotor can be filled with Castrol Optileb GT150. This is a synthetic food grade oil.

If the drummotor is fitted with a Wet Brake (recognisable by WB in the type-number) or a Clutch Brake (CB), it will be filled with Castrol Agri-trans plus 10W30. Or, in the food industry, with Castrol Vitalube HS68. Both are synthetic oils.

In low temperature environments (-40°C) the drummotor is filled with Vitalube HS32.

Oil equivalents are mentioned in our manual.



Options

Specification	Standard	Optional
Execution		
Shafts and bolts	Mild steel	Stainless steel (316)
End caps	Cast iron	Stainless steel (304 or 316)
Shell	Mild steel	Stainless steel (304 or 316)
Junction box	Cast iron (TM 100 and TM 113 polyamide)	Polyamide, stainless steel
Cable		Shielded or non-shielded
Sealing	RB	RBS, HD, CR, UW
Shell		
Crowned	•	
Cilindrical		•
Balanced		•
Lagging, cold vulcanised		•
Lagging, hot vulcanised		•
Lagging, FDA approved		•
Fitted with grooves, patterns		•
Sprockets		•
Electro motor		
Three-fase asynchronous	•	
Power ≤ 3 kW	230/400 V - 50 Hz	Other powers and frequencies on request
Power > 3 kW	400/690 V - 50 Hz	
Single fase 230 V - 50 Hz		TM 100 and TM 113
Two speed (Dahlander)		•
Twin drive (double power)		•
Insulation class	F	H
UL, CSA C US		•
ATEX II 3D T135° C		•
Thermal protection		Clixon or PTC
Run by frequency inverter	•	
Other options		
Food grade oil		•
Backstop, mechanical		•
Brake, electro mechanical (minimum facewidth increases by 100 mm)		•
Clutch brake, electro mechanical		•
Inclined or vertical position		•
Other facewidth's		•
Different shaft executions		•
Encoder or sensor bearing		•

When an electro-mechanical brake is fitted, the minimum facewidth is increased. See specific drummotor for detailed information.

The total weight of a drummotor grows approx. 4,5 kg. per 100 mm.

Available torque: $(\text{Beltpull } N \times \text{Drumdiámetro } m) / 2 \text{ Nm}$.



Product overview TM 100B25

TYPE TM 100B25	Power kW	Belt speed m/s at 50 Hz Belt pull N										Min. L mm Design B	Full load curr. 400 V - 50 Hz I = ... A	Weight kg L=350
		3,60 95	2,80 120	2,50 135	2,20 155	2,00 175	1,70 205	1,80 95	1,40 120	1,25 135	1,10 155			
205 Z	0,37											310	0,85	14
405 Z	0,18											310	0,60	14
425 PL2		0,75 220	0,70 235	0,55 300	0,50 330	0,40 415	0,36 460	0,30 550	0,24 690			310		
425 PL3		0,20 835	0,16 990	0,14 1130	0,12 1300							360		
416 Z	0,12											275	0,40	14
416 PL2		0,75 145	0,70 160	0,55 200	0,50 220	0,40 275	0,36 305	0,30 370	0,24 460			275		
416 PL3		0,20 530	0,16 660	0,14 755	0,12 880	0,10 1055	0,09 1175					310		
616 Z	0,12											310	0,50	14
616 PL2		1,25 90	1,10 105	0,90 125	0,80 145	0,70 165	0,60 190					310		
616 PL3		0,50 220	0,40 275	0,36 305	0,30 370	0,26 425	0,19 580	0,15 735				360		
414 Z	0,10											260	0,40	14
414 PL2		1,10 85	1,00 95	0,85 110								260		
414 PL3		0,75 125	0,70 130	0,55 165	0,50 185	0,40 230	0,36 255	0,30 305	0,24 385			310		
611 Z	0,08											260	0,40	14
611 PL2		0,80 95	0,70 110	0,60 125								260		
611 PL3		0,50 145	0,40 185	0,36 205	0,30 245	0,26 285	0,19 385	0,15 490				310		
811 PL2	0,08	0,22 335	0,17 435	0,14 525	0,11 670							310	0,55	14
811 PL3		0,09 780	0,05 1300									360		
807 PL3	0,05	0,07 630	0,06 735	0,05 880	0,04 1100	0,028 1300						360	0,40	14
807 PL4		0,022 1300	0,020 1300	0,019 1300	0,017 1300	0,014 1300	0,013 1300	0,012 1300	0,011 1300	0,009 1300	0,007 1300	410		

Available standard facewidth's: 260 - 275 - 310 - 360 - 410 - 460 - 510 - 560 - 610 - 660 - 710 - 760 - 810 - 860 mm

When an electro-mechanical brake is fitted, the minimum facewidth is increased by 75 mm.

The total weight of a drummotor grows approx. 1,6 kg. per 100 mm.

Available torque: $(\text{Belt pull N} \times \text{Drum diameter m}) / 2 \text{ Nm}$ (max. 65 Nm)

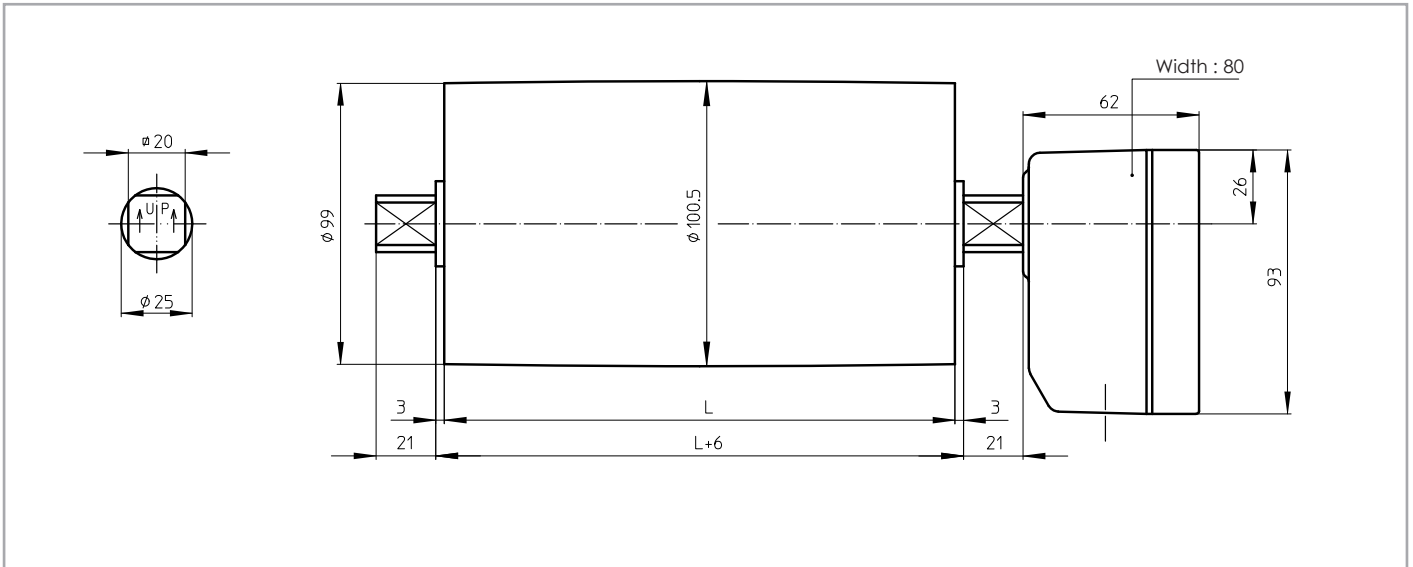
Belt pull max.: 1300 N (I_{max} upon request or on dataplate)



Dimensions

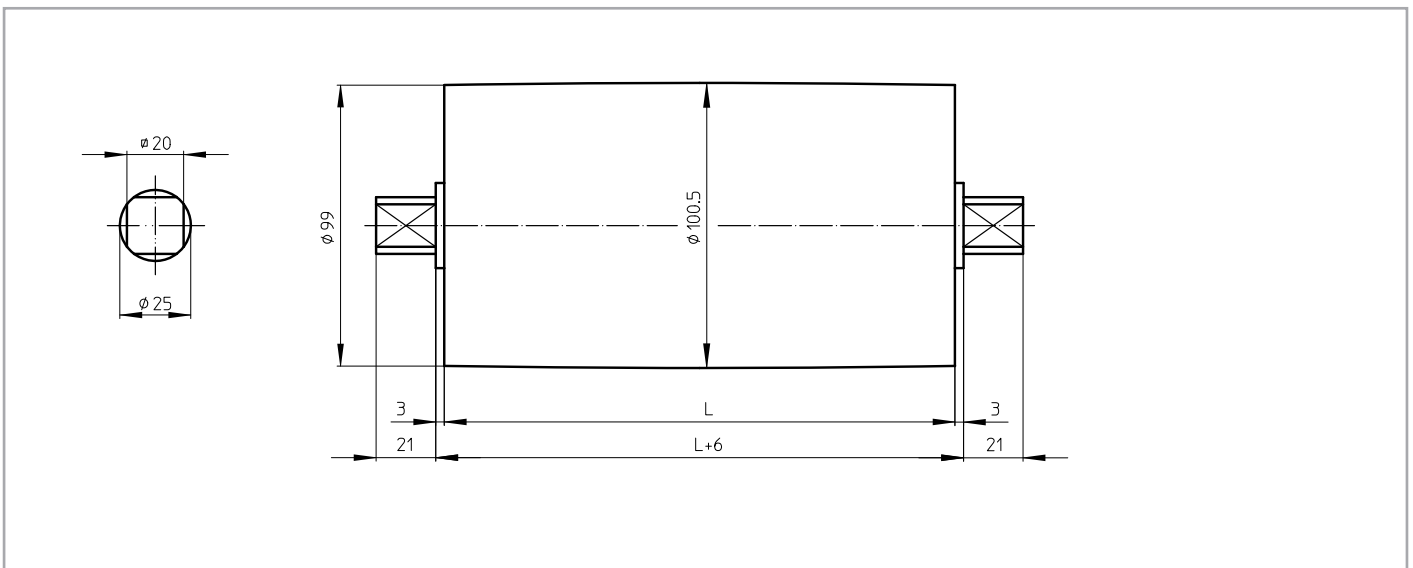
TM 100B25

TM 100B25, mildsteel drummotor with polyamide terminal box



KT 100B25

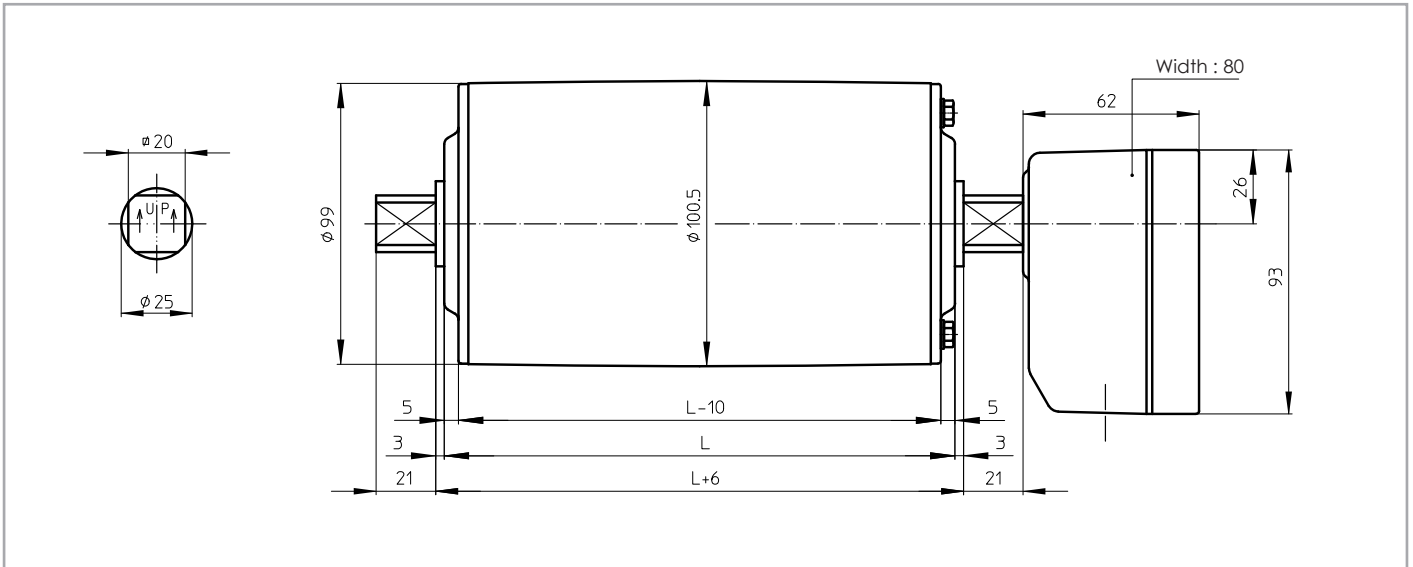
KT 100B25, mildsteel taildrum





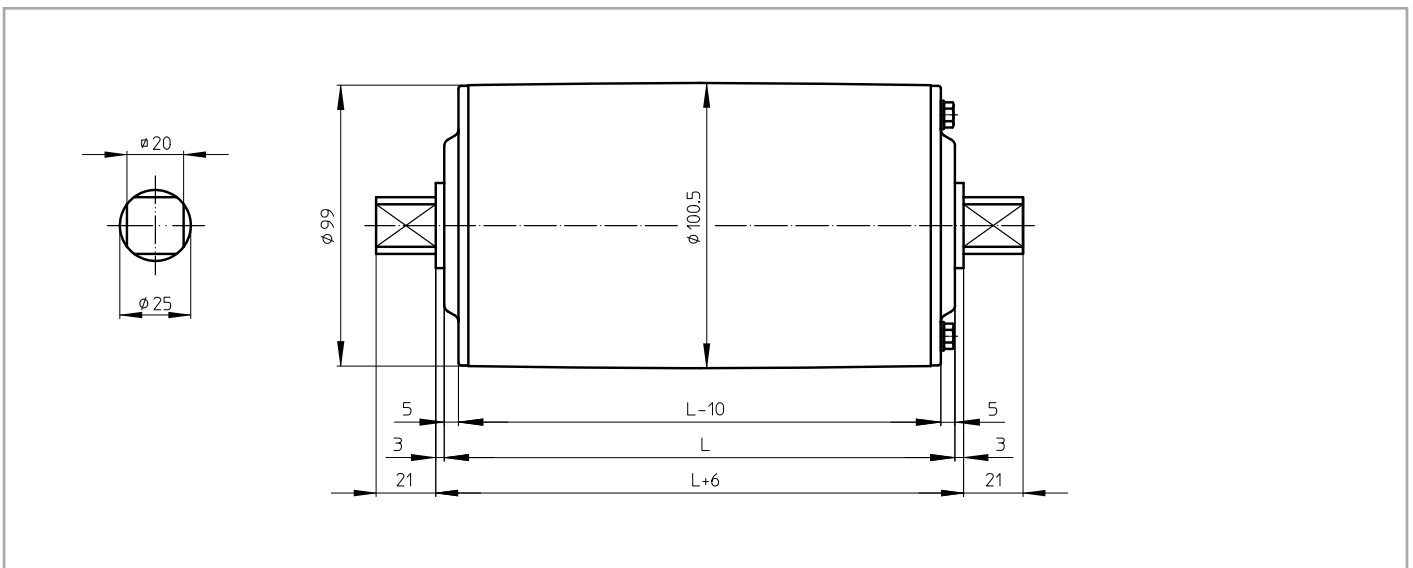
TM 100B25 CR (RVS)

TM 100B25 CR, stainless steel drummotor with polyamide terminal box and CR sealing



KT 100B25 CR (RVS)

KT 100B25 CR, stainless steel taildrum with CR sealing





Cable exit

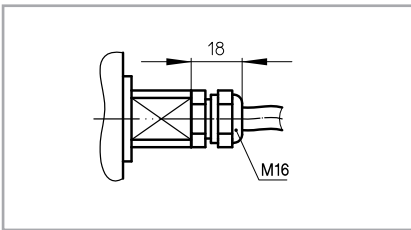
Standard execution of a TM 100B25 is with a polyamide terminal box. For stainless steel execution, this can be either a polyamide or stainless steel terminal box.

On request a drummotor can be fitted with a cable. In this case it is important to know the available voltage (preferably 1 voltage), the length of the cable, whether the cable is shielded or not and the type of cable exit.

An overview of available cable exits is shown below.

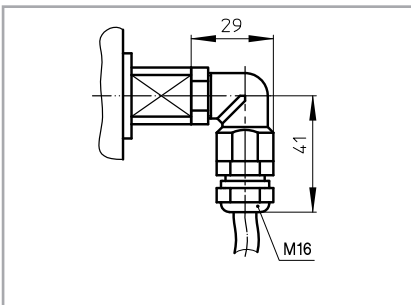
Option 1

Straight cable exit with cable gland



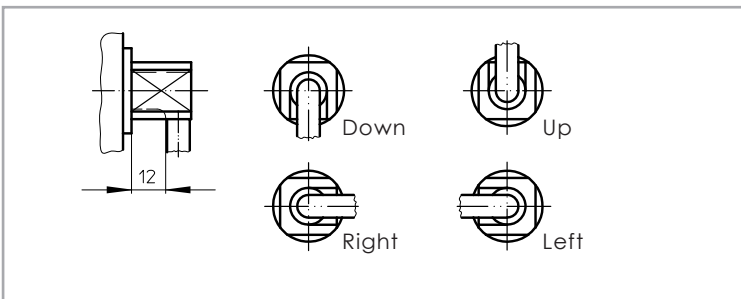
Option 3

Elbow cable exit with cable gland (minimum drumlength increases with at least 25 mm)



Option 4

Open cable exit (minimum drumlength increases with at least 25 mm)

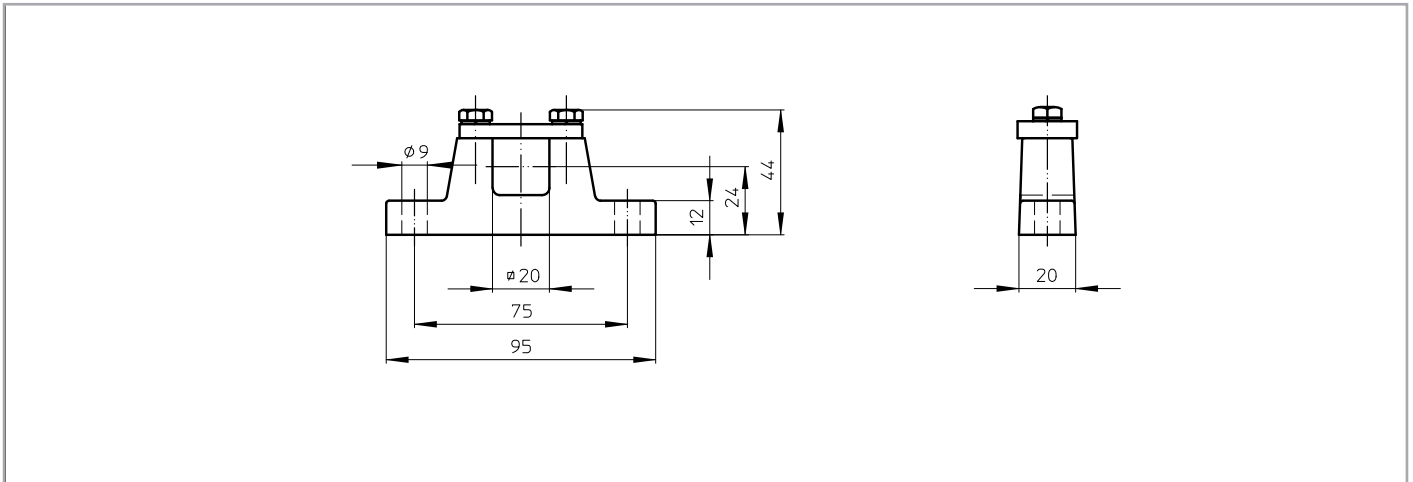




Brackets drawings

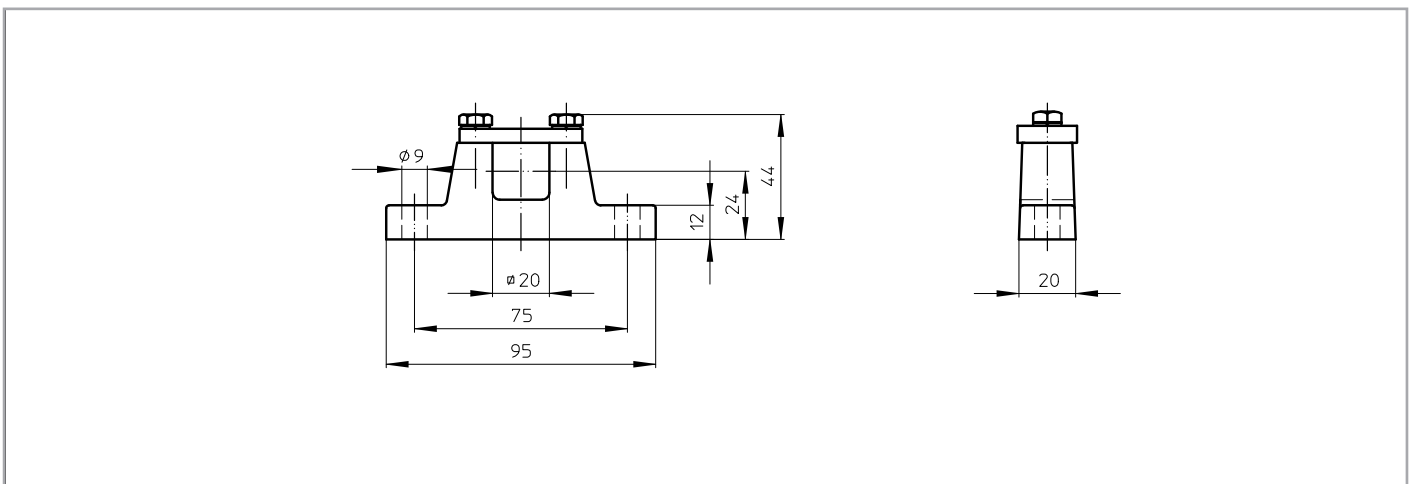
AB 20

AB 20, cast iron or steel bracket



AB 20 RVS

AB 20 RVS, stainless steel bracket





Product overview TM 113B25

TYPE TM 113B25	Power kW	Bellspeed m/s at 50 Hz Beltpull N										Min. L mm Design B	Full load curr. 400 V - 50 Hz I = ... A	Weight kg L=350
		4,40 110	4,00 125	3,20 155	2,80 175	2,50 195	2,20 225	1,90 255						
275 Z	0,55	4,40 110	4,00 125	3,20 155	2,80 175	2,50 195	2,20 225	1,90 255				310	1,20	16
205 Z	0,37	4,40 80	4,00 90	3,20 110	2,80 125	2,50 140						310	0,8	16
405 Z	0,37	2,20 160	2,00 175	1,60 220	1,40 250	1,25 280	1,10 320	0,95 370	0,75 470	0,60 585		360	1,35	16
405 PL2		0,85 400	0,70 485	0,65 525	0,55 620	0,50 680	0,45 755	0,40 850	0,34 1000	0,27 1150				
234 Z	0,25	4,40 55	4,00 60	3,20 75	2,80 85	2,50 95						260	0,65	16
434 Z	0,25	2,20 110	2,00 120	1,60 150	1,40 170	1,25 190	1,10 215	0,95 250				310	0,70	16
434 PL2		0,85 270	0,75 305	0,70 330	0,65 355	0,55 420	0,50 460	0,45 510	0,40 575	0,34 675	0,27 850			
634 Z	0,25	1,00 240	0,90 265	0,80 295	0,70 340	0,60 395	0,50 475	0,40 595				360	0,95	16
634 PL2		0,29 795	0,25 920	0,21 1095	0,17 1150									
425 Z	0,18	1,60 105	1,40 120	1,25 135	1,10 155	0,95 180						275	0,55	16
425 PL2		0,85 195	0,75 220	0,70 235	0,65 255	0,55 300	0,50 330	0,45 370	0,40 415	0,34 485	0,27 615			
425 PL3		0,20 790	0,18 880	0,16 990	0,13 1150	0,11 1150						310		
625 Z	0,18	0,90 190	0,80 214	0,70 244	0,60 285							310	0,65	16
625 PL2		0,25 660	0,21 790	0,17 975										
416 Z	0,12	1,10 105	0,95 120									260	0,40	16
416 PL2		0,85 130	0,75 145	0,70 160	0,65 170	0,55 200	0,50 220	0,45 245	0,40 275	0,34 325	0,27 410			
416 PL3		0,18 585	0,11 960	0,07 1150								310		
816 PL2	0,12	0,31 355	0,22 500	0,20 550	0,16 690	0,13 850						310	0,65	16
816 PL3		0,10 1055	0,08 1150									360		
811 PL2	0,08	0,31 235	0,26 285	0,22 335	0,20 370	0,16 460	0,13 565					260	0,45	16
811 PL3		0,10 705	0,08 880	0,07 1005	0,06 1150	0,05 1150						310		
807 PL3	0,05	0,06 735	0,05 880	0,033 1150								310	0,30	16
807 PL4		0,025 1150	0,023 1150	0,021 1150	0,019 1150	0,016 1150	0,015 1150	0,013 1150	0,012 1150	0,010 1150	0,008 1150	360		
805 PL3	0,04	0,10 350	0,08 440	0,07 505	0,06 585	0,05 705	0,033 1065					285	0,25	16

Available standard facewidth's: 260 - 275 - 310 - 360 - 410 - 460 - 510 - 560 - 610 - 660 - 710 - 760 - 810 - 860 mm

When an electro-mechanical brake is fitted, the minimum facewidth is increased by 75 mm.

The total weight of a drummotor grows approx. 1,8 kg. per 100 mm.

Available torque: $(\text{Beltpull N} \times \text{Drum diameter m}) / 2 \text{ Nm}$ (max. 65 Nm)

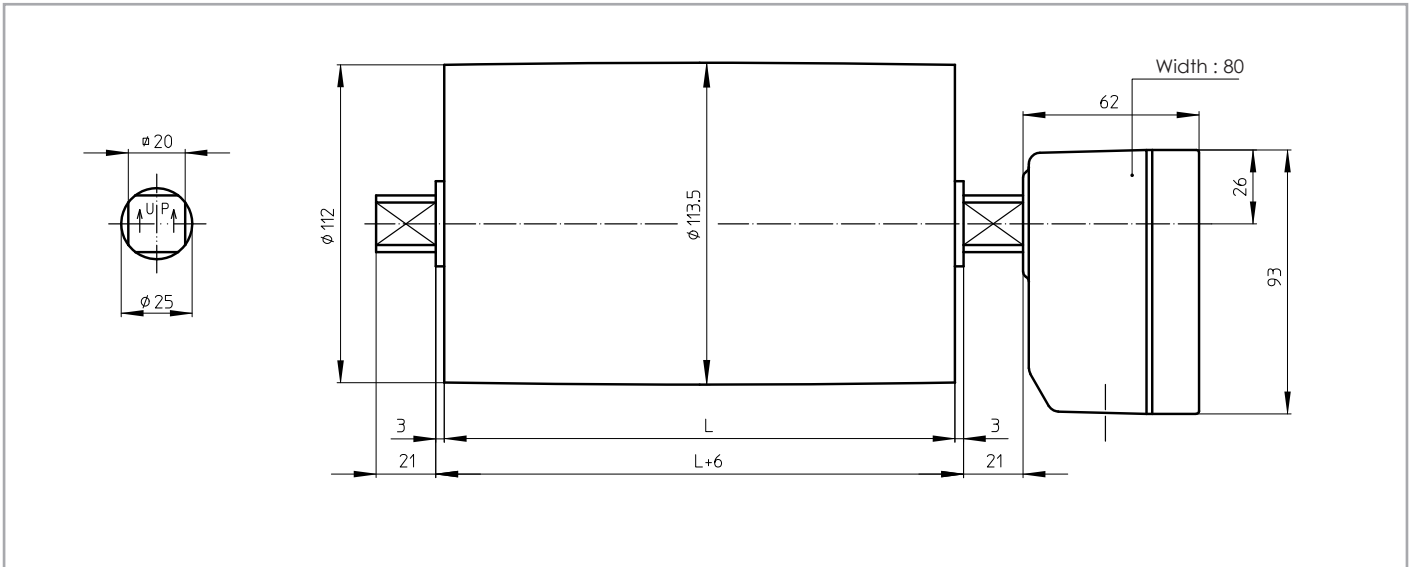
Beltpull max.: 1150 N (Imax upon request or on dataplate)



Dimensions

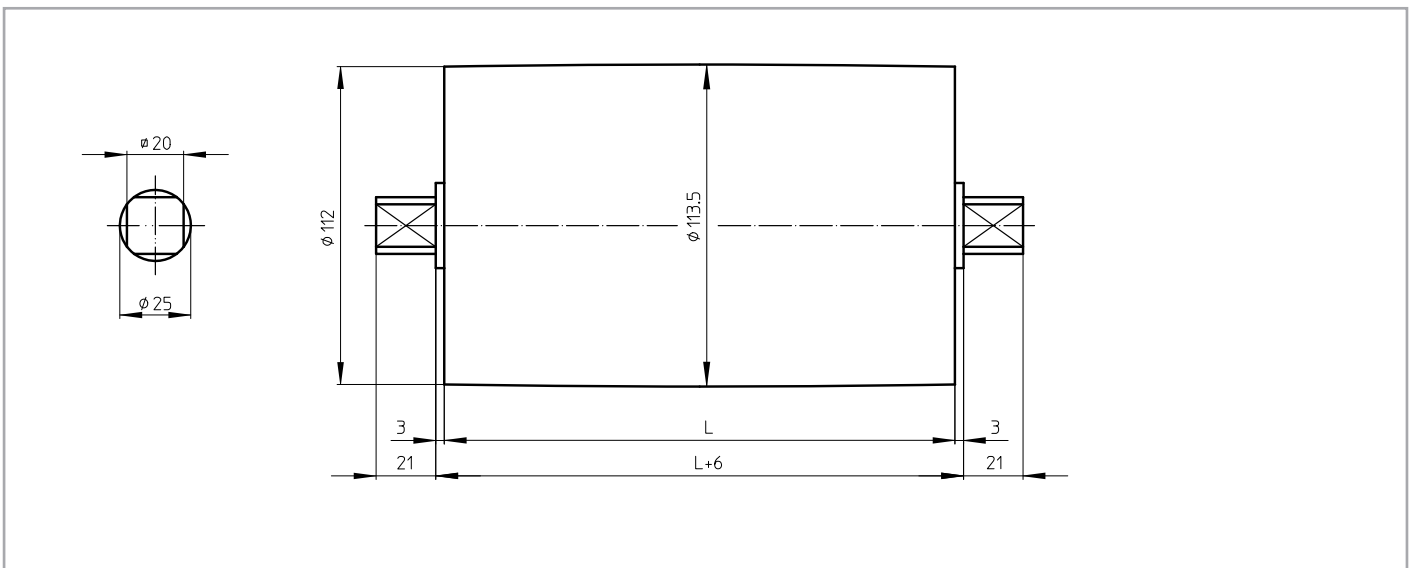
TM 113B25

TM 113B25, mildsteel drummotor with polyamide junction box



KT 113B25

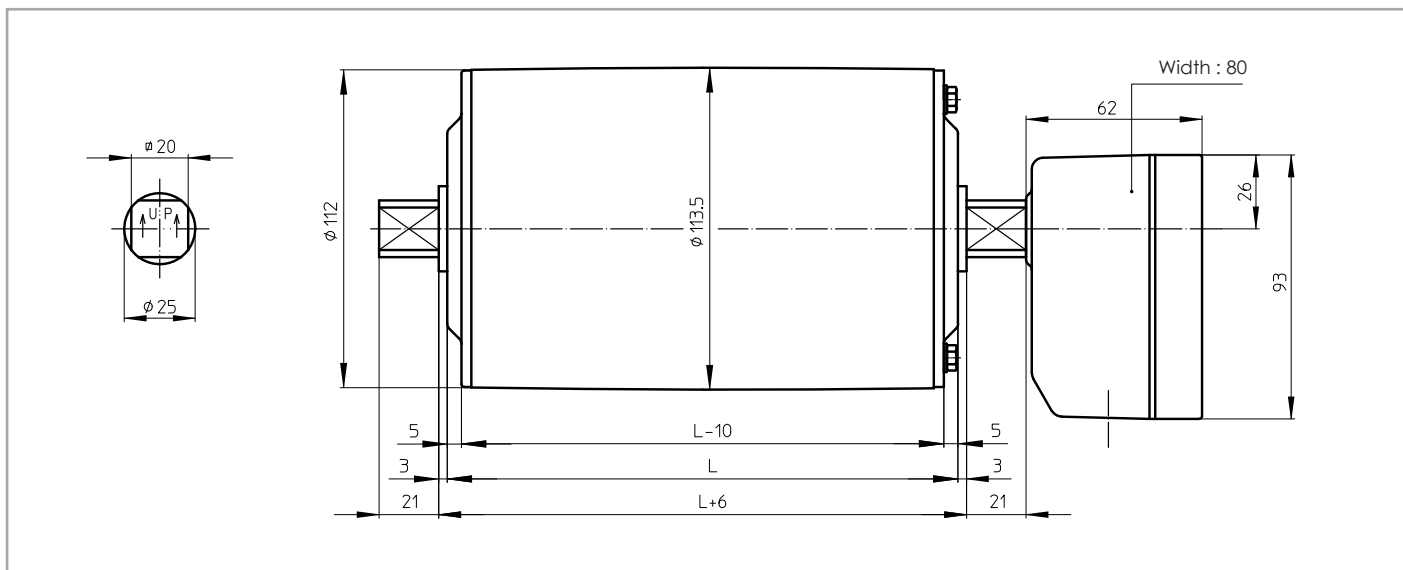
KT 113B25, mildsteel taildrum





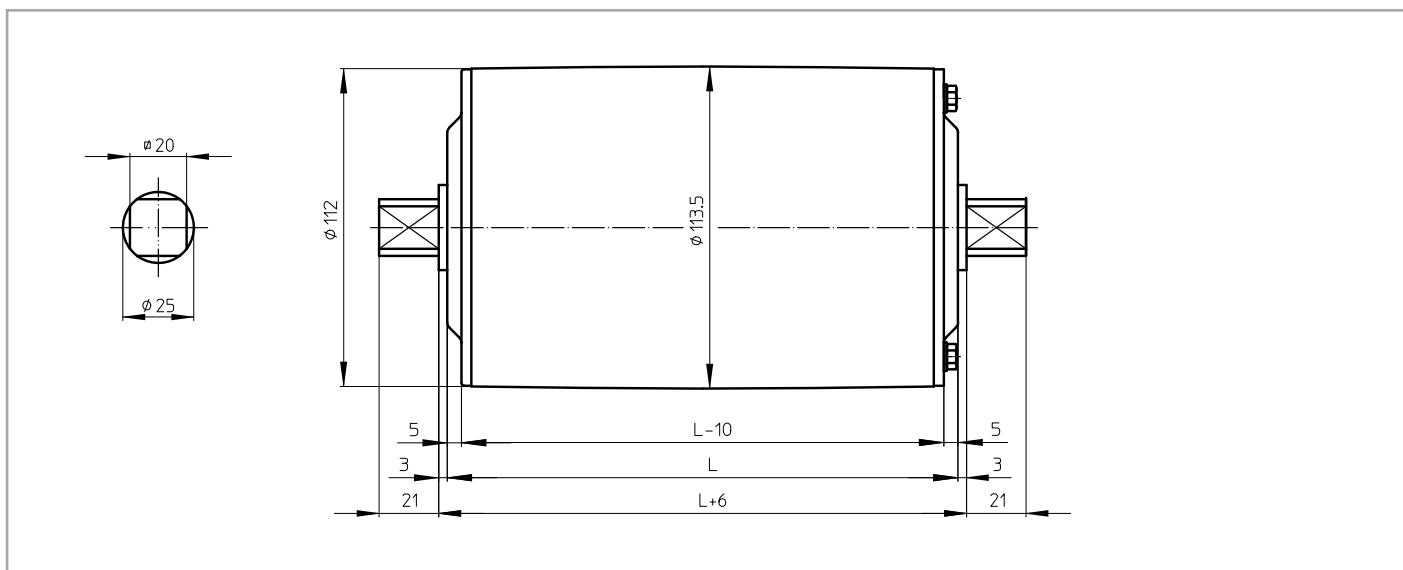
TM 113B25 CR (RVS)

TM 113B25 CR, stainless steel drummotor with polyamide junction box and CR sealing



KT 113B25 CR (RVS)

KT 113B25 CR, stainless steel taildrum and CR sealing





Cable exit

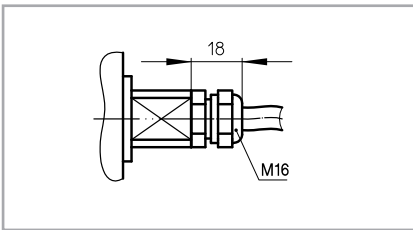
Standard execution of a TM 113B25 is with a polyamide terminal box. For stainless steel execution, this can be either a polyamide or stainless steel terminal box.

On request a drummotor can be fitted with a cable. In this case it is important to know the available voltage (preferably 1 voltage), the length of the cable, whether the cable is shielded or not and the execution of the cable exit.

An overview of available cable exits is shown below.

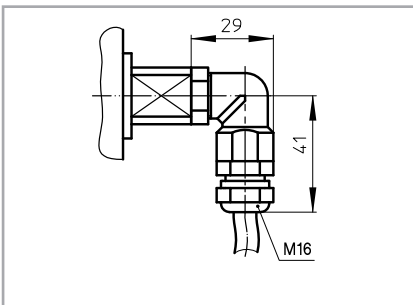
Option 1

Straight cable exit with cable gland



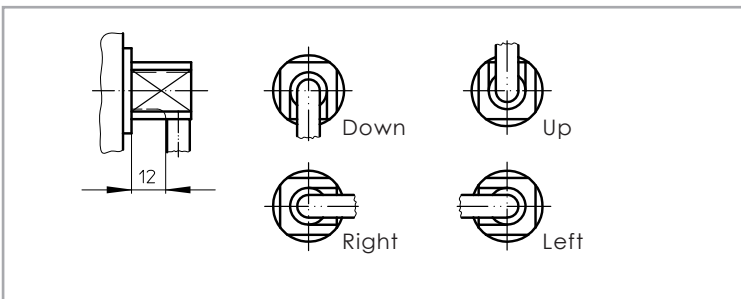
Option 3

Elbow cable exit with cable gland (minimum drumlength increases with at least 25 mm)



Option 4

Open cable exit (minimum drumlength increases with at least 25 mm)

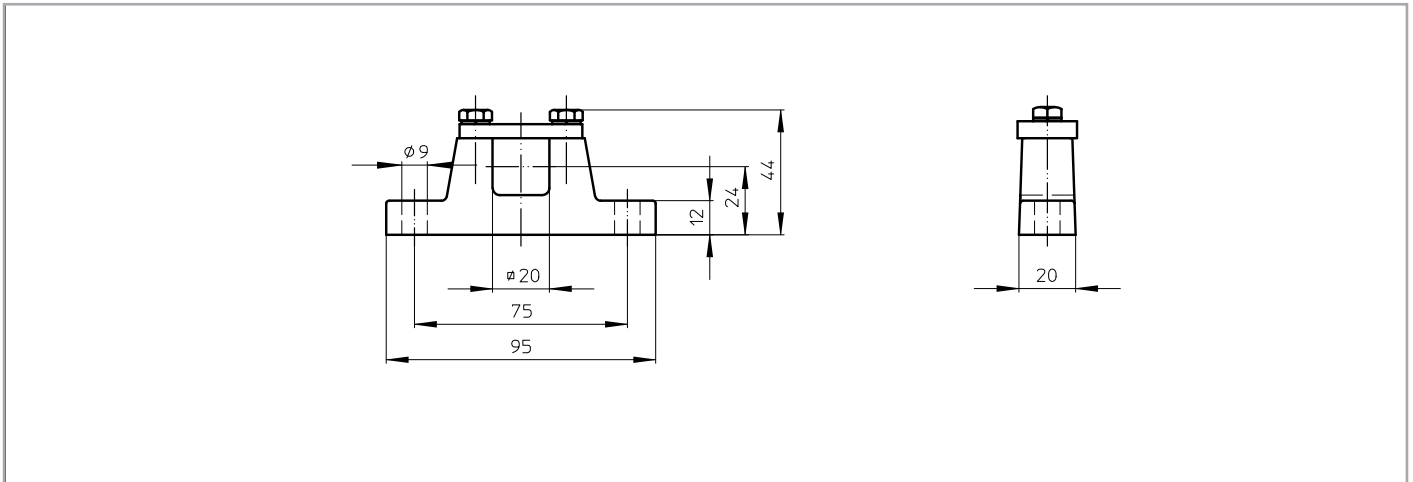




Brackets drawings

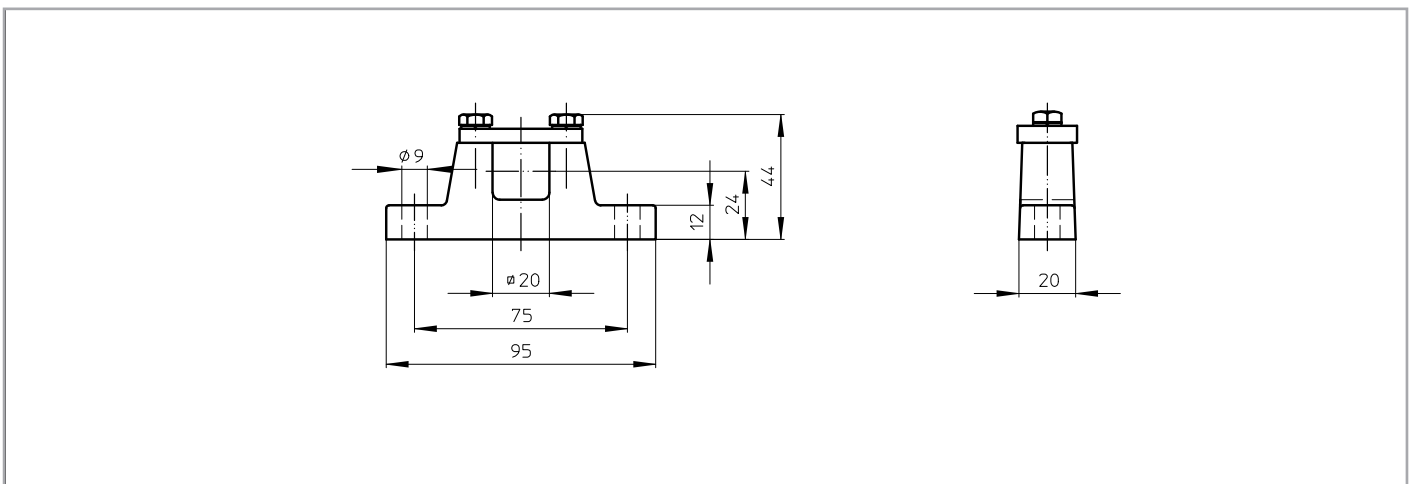
AB 20

AB 20, cast iron or steel bracket



AB 20 RVS

AB 20 RVS, stainless steel bracket





Product overview TM 127-25

TYPE TM 127.25	Power kW	Beltspeed m/s at 50 Hz Beltpull N							Min. L mm Design A	Min. L mm Design B	Full load curr. 400 V - 50 Hz I = ... A	Weight kg L=350
415 Z	1,1	1,30 805	1,00 1045						325	350	2,8	21
210 Z	0,75	2,60 275	2,00 355	1,70 420					300	325	1,7	20
410 Z	0,75	1,30 550	1,00 715	0,85 840	0,65 1095	0,50 1425			300	325	1,9	20
410 PL2		0,30 2300	0,24 2875	0,20 3450	0,16 4100			350	375			
275 Z	0,55	2,60 200	2,00 260	1,70 305					275	300	1,1	18
475 Z	0,55	1,30 400	1,00 525	0,85 615	0,65 805	0,50 1045	0,40 1305		275	300	1,3	18
475 PL2		0,30 1685	0,24 2110	0,20 2530	0,16 3165			325	350			
205 Z	0,37	2,60 135	2,00 175	1,70 205					250	275	0,9	17
405 Z	0,37	1,30 270	1,00 350	0,85 415	0,65 540	0,50 705	0,40 880	0,32 1100	275	300	1,0	17
405 PL2		0,20 1700	0,16 2130						325	350		
405 PL3		0,046 4100	0,036 4100	0,031 4100	0,024 4100			375	400			
605 Z	0,37	0,25 1405							275	300	1,1	18
605 PL2		0,14 2430	0,11 3095					325	350			
434 Z	0,25	1,30 185	1,00 240	0,85 280	0,65 365	0,50 475	0,40 595	0,32 740	250	275	0,7	16
834 Z	0,25	0,25 950	0,20 1190	0,16 1485					275	300	1,0	18
834 PL2		0,12 1915	0,10 2300	0,08 2875					325	350		
834 PL3		0,023 4100	0,018 4100	0,015 4100	0,012 4100			375	400			
825 Z	0,18	0,25 685	0,20 855	0,16 1070					275	300	0,8	17
818 Z	0,13	0,25 495	0,20 620	0,16 770					250	275	0,6	16
1218 Z	0,13	0,12 1030	0,10 1235						300	325	0,9	20
1218 PL2		0,08 1495	0,07 1710	0,05 2390					350	375		
1218 PL3		0,015 4100	0,012 4100	0,010 4100	0,008 4100			400	450			
1213 Z	0,10	0,12 790	0,10 950						275	300	0,6	18

Available standard facewidth's: 250 - 275 - 300 - 325 - 350 - 375 - 400 - 450 - 500 - 550 - 600 - 650 - 700 - 750 - 800 - 850 - 900 - 950 - 1000 mm

When an electro-mechanical brake is fitted, the minimum facewidth is increased by 100 mm.

The total weight of a drummotor grows approx. 1,5 kg. per 100 mm.

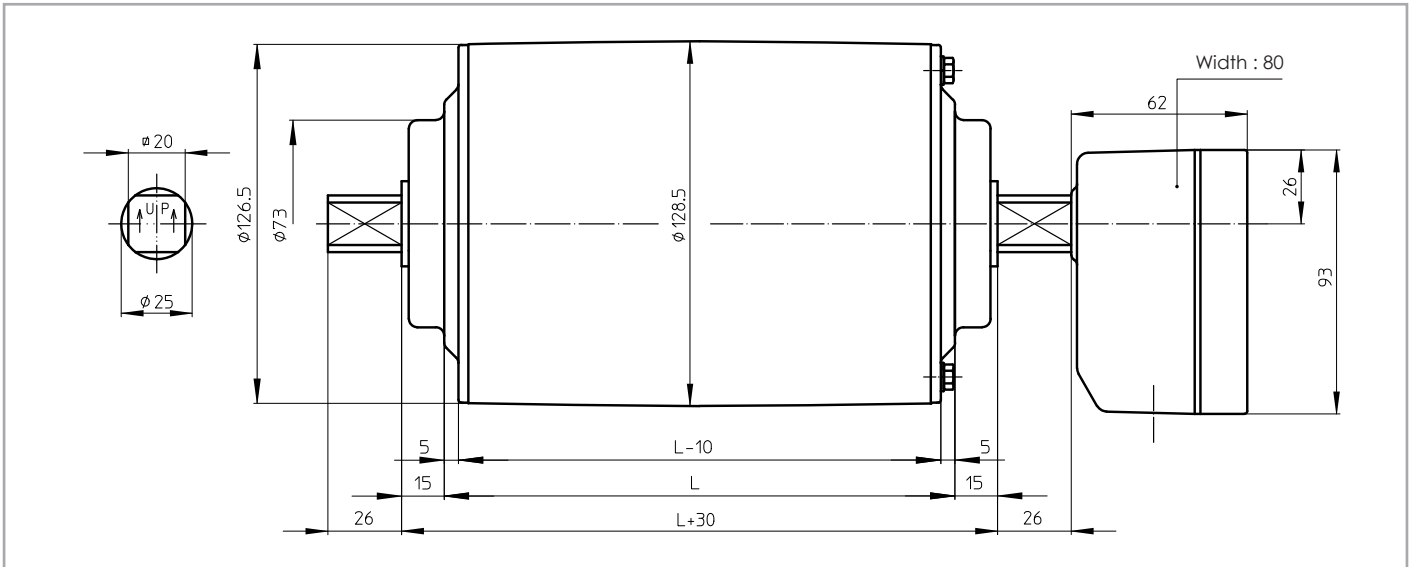
Available torque: $(\text{Beltpull N} \times \text{Drum diameter m}) / 2 \text{ Nm}$ (max. 260 Nm)

Beltpull max.: 4100 N (I_{max} upon request or on dataplate)



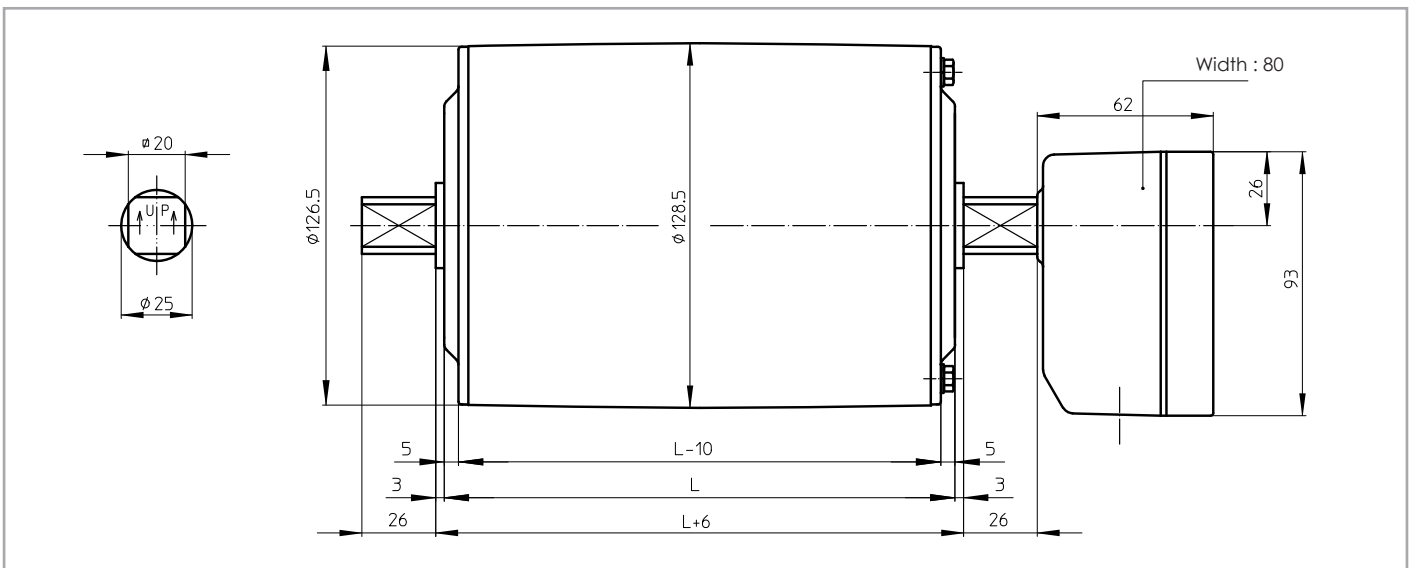
TM 127A25 CR (RVS)

TM 127A25 CR, stainless steel drummotor with polyamide junction box and CR sealing



TM 127B25 CR (RVS)

TM 127B25 CR, stainless steel drummotor with polyamide junction box and CR sealing

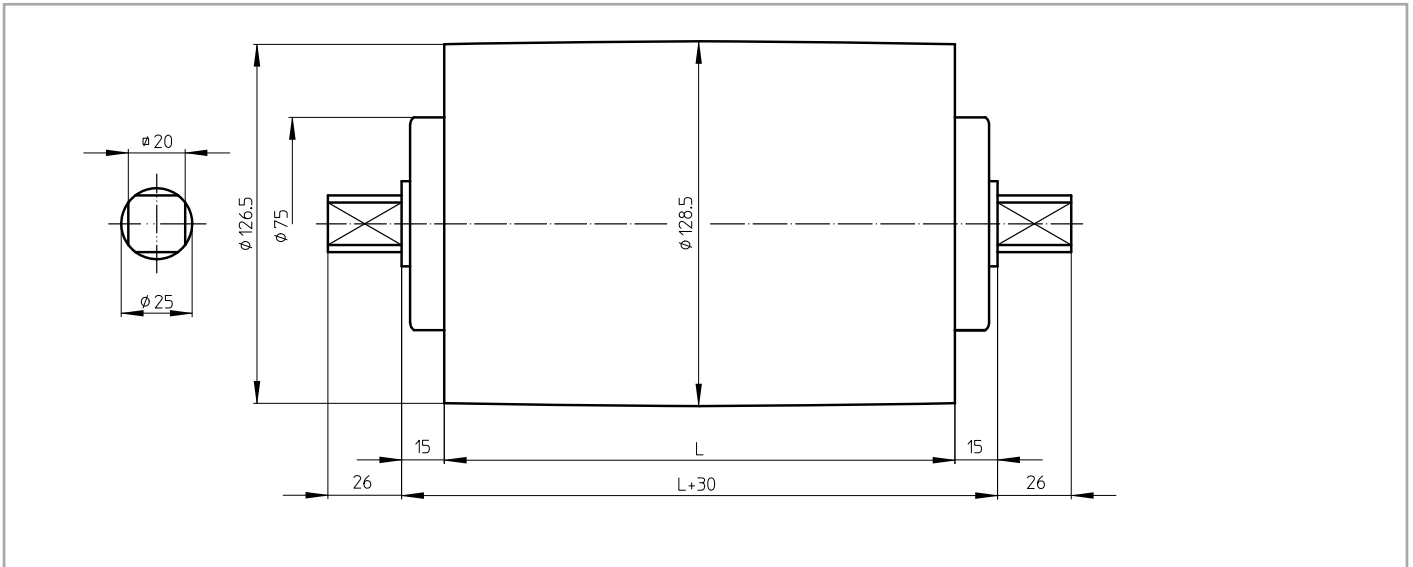




Dimensions taildrums

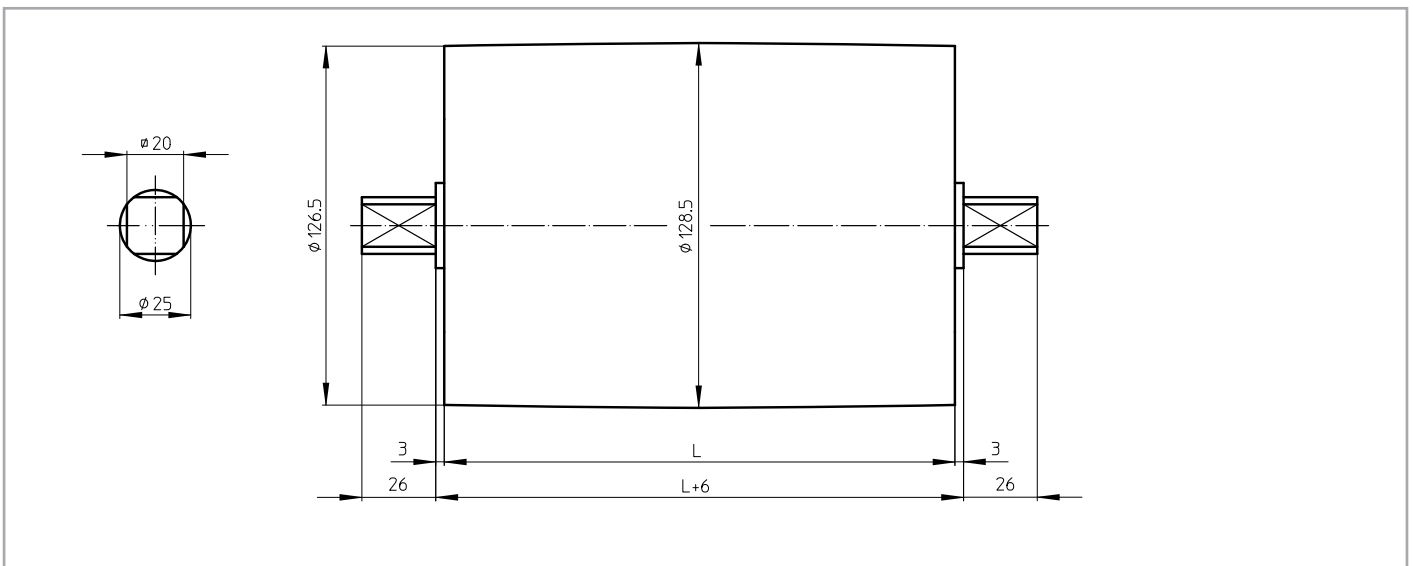
KT 127A25

KT 127A25, mildsteel taildrum



KT 127B25

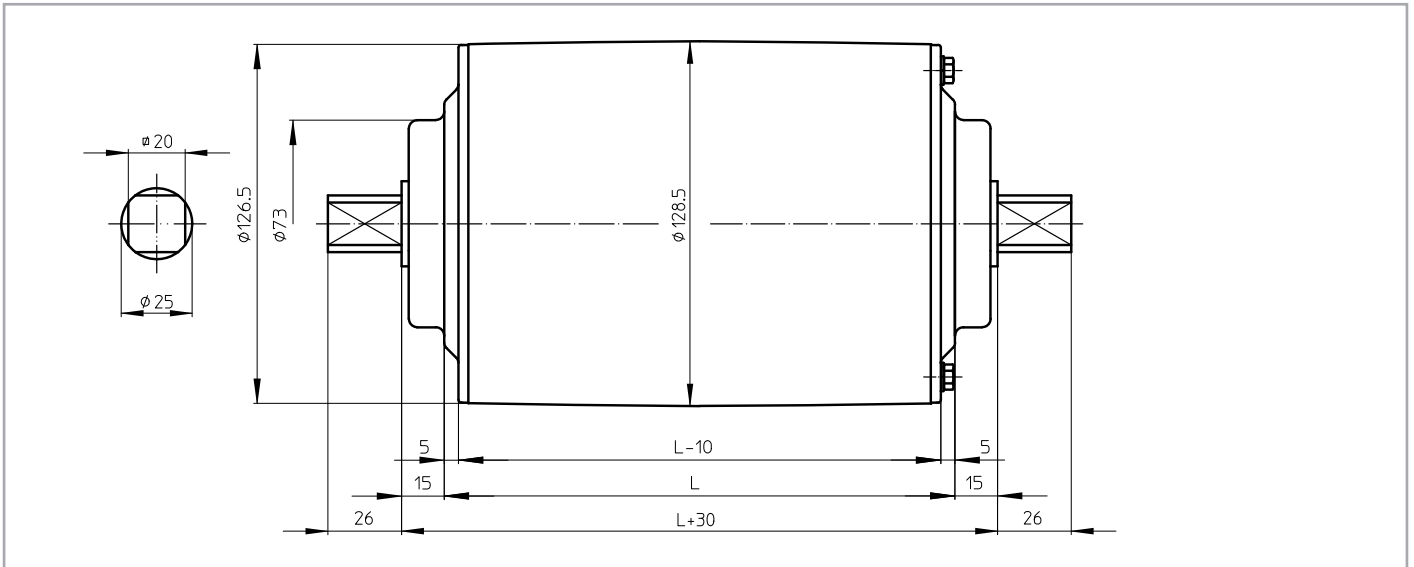
KT 127B25, mildsteel taildrum





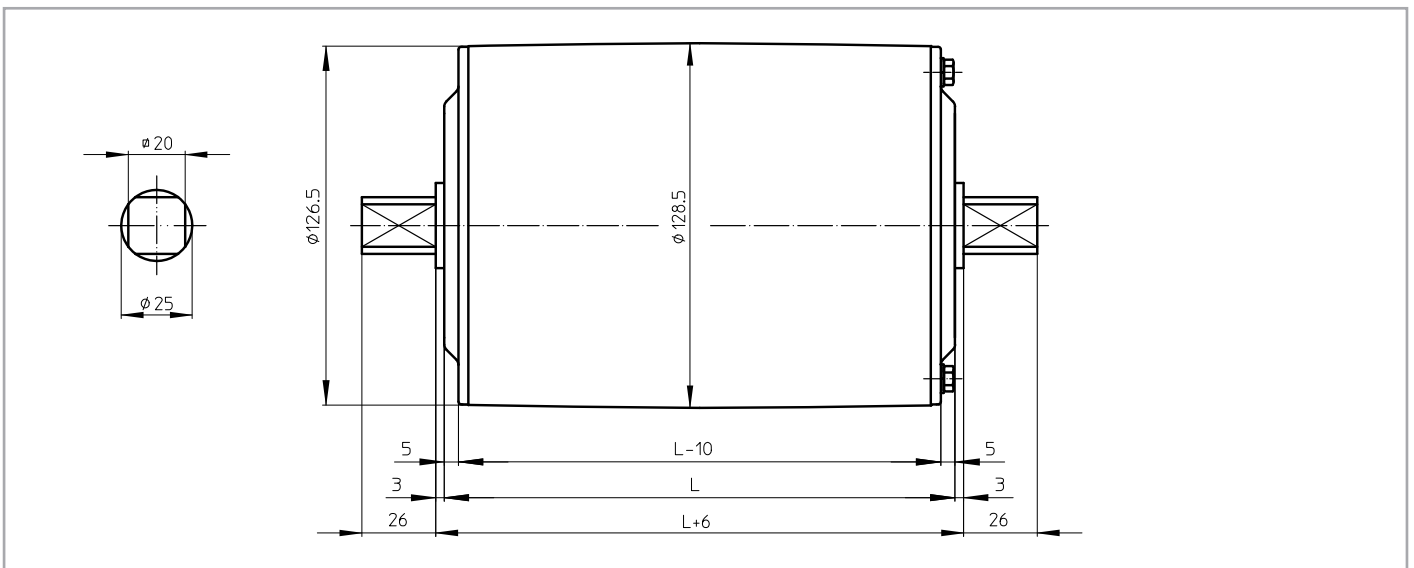
KT 127A25 CR (RVS)

KT 127A25 CR, stainless steel taildrum with CR sealing



KT 127B25 CR (RVS)

KT 127B25 CR, stainless steel taildrum with CR sealing





Cable exit

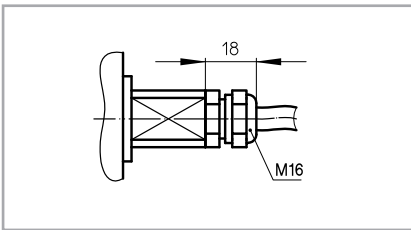
Standard execution of a TM 127-25 is with a cast iron terminal box. For stainless steel execution, this can be either a polyamide or stainless steel terminal box.

On request a drummotor can be fitted with a cable. In this case it is important to know the available voltage (preferably 1 voltage), the length of the cable, whether the cable is shielded or not and the type of cable exit.

An overview of available cable exits is shown below.

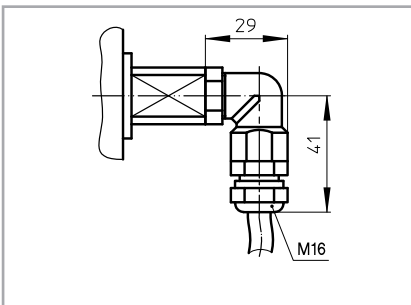
Option 1

Straight cable exit with cable gland



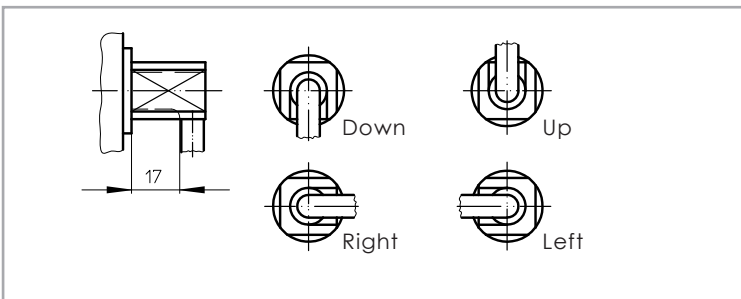
Option 3

Elbow cable exit with cable gland (minimum drumlength increases with at least 25 mm)



Option 4

Open cable exit (minimum drumlength increases with at least 25 mm)

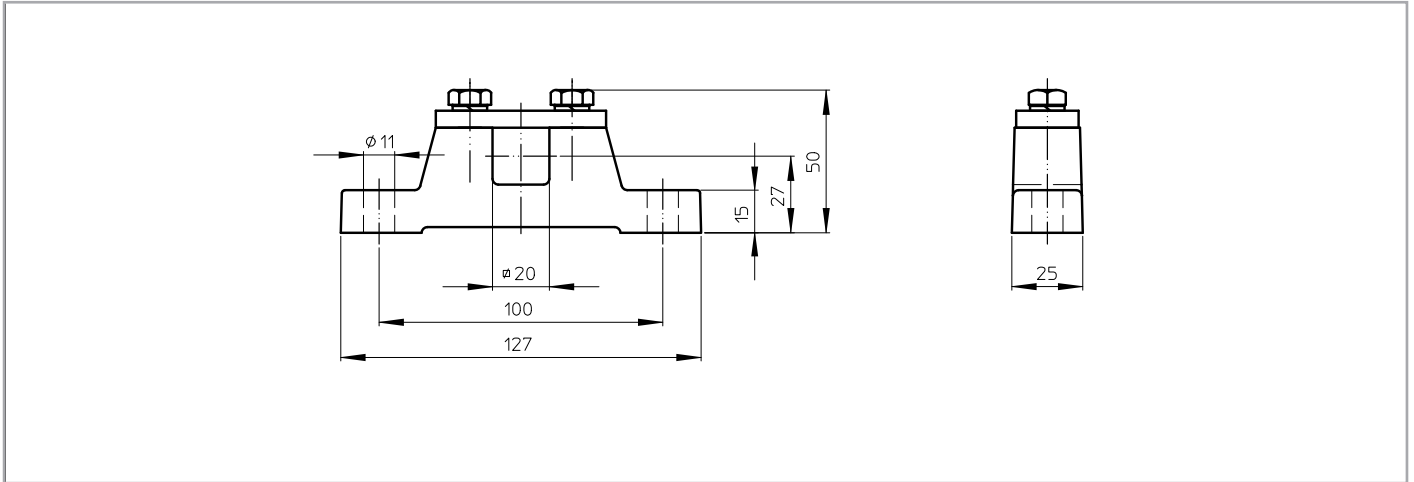




Bracket drawings

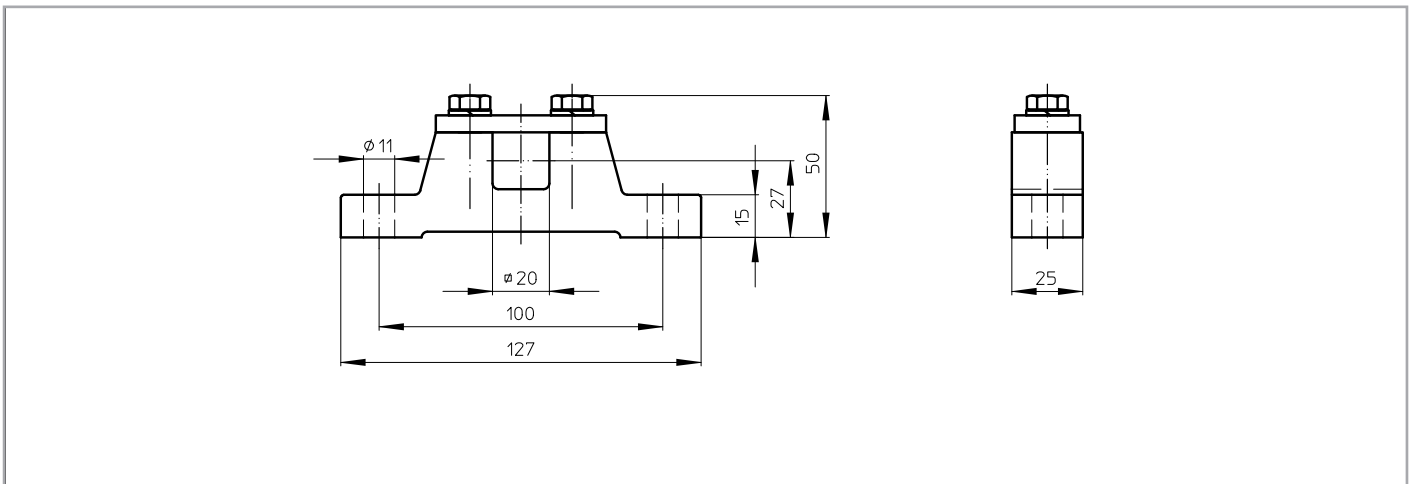
AB 25

AB 25, cast iron or steel bracket



AB 25 RVS

AB 25 RVS, stainless steel bracket





Product overview TM 138-25

TYPE TM 138.25	Power kW	Bellspeed m/s at 50 Hz Beltpull N							Min. L mm Design A	Min. L mm Design B	Full load curr. 400 V - 50 Hz I = ... A	Weight kg L=350
		1,40	1,10	0,90	0,70	0,55	0,45	0,35				
415 Z	1,1	745	950						325	350	2,8	23
210 Z	0,75	2,80 255	2,20 325	1,80 395					300	325	1,7	22
410 Z	0,75	1,40 510	1,10 650	0,90 790	0,70 1015	0,55 1295			300	325	1,9	22
410 PL2		0,32 2155	0,26 2655	0,22 3135	0,17 3800			350	375			
275 Z	0,55	2,80 185	2,20 240	1,80 290					275	300	1,1	20
475 Z	0,55	1,40 375	1,10 475	0,90 580	0,70 745	0,55 950	0,45 1160		275	300	1,3	20
475 PL2		0,32 1580	0,26 1945	0,22 2300	0,17 2975			325	350			
205 Z	0,37	2,80 1.25	2,20 160	1,80 195					250	275	0,9	19
405 Z	0,37	1,40 250	1,10 320	0,90 390	0,70 500	0,55 640	0,45 780	0,35 1005	275	300	1,0	19
405 PL2		0,22 1545	0,17 2000						325	350		
405 PL3		0,050 3800	0,039 3800	0,033 3800	0,026 3800				375	400		
605 Z	0,37	0,27 1300							275	300	1,1	20
605 PL2		0,15 2270	0,12 2835						325	350		
434 Z	0,25	1,40 170	1,10 215	0,90 265	0,70 340	0,55 430	0,45 530	0,35 680	250	275	0,7	18
834 Z	0,25	0,27 880	0,22 1080	0,17 1395					275	300	1,0	20
834 PL2		0,13 1770	0,11 2090	0,09 2555					325	350		
834 PL3		0,025 3800	0,019 3800	0,016 3800	0,013 3800				375	400		
825 Z	0,18	0,27 635	0,22 775	0,17 1005					275	300	0,8	19
818 Z	0,13	0,27 455	0,22 560	0,17 725					250	275	0,6	18
1218 Z	0,13	0,13 950	0,11 1125						300	325	0,9	22
1218 PL2		0,09 1330	0,08 1495	0,06 1995					350	375		
1218 PL3		0,016 3800	0,013 3800	0,011 3800	0,009 3800				400	450		
1213 Z	0,10	0,13 730	0,11 865						275	300	0,6	20

Available standard facewidth's: 250 - 275 - 300 - 325 - 350 - 375 - 400 - 450 - 500 - 550 - 600 - 650 - 700 - 750 - 800 - 850 - 900 - 950 - 1000 mm

When an electro-mechanical brake is fitted, the minimum facewidth is increased by 100 mm.

The total weight of a drummotor grows approx. 2,0 kg. per 100 mm.

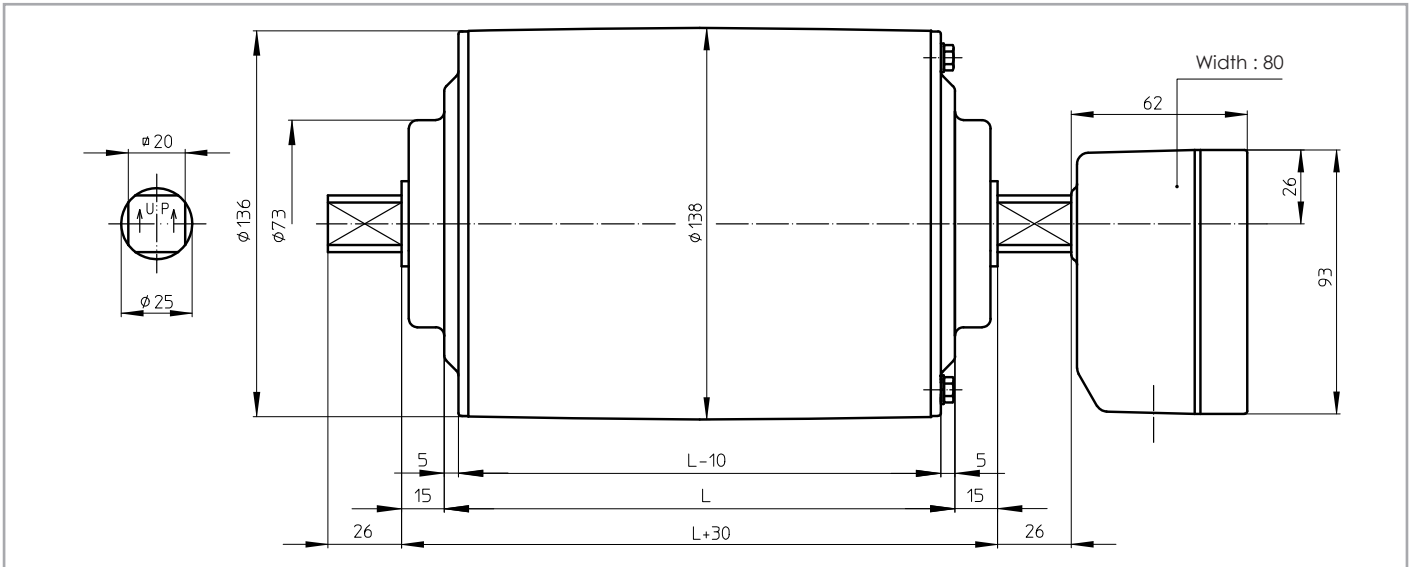
Available torque: $(\text{Beltpull N} \times \text{Drum diameter m}) / 2 \text{ Nm}$ (max. 260 Nm)

Beltpull max.: 3800 N (I_{max} upon request or on dataplate)



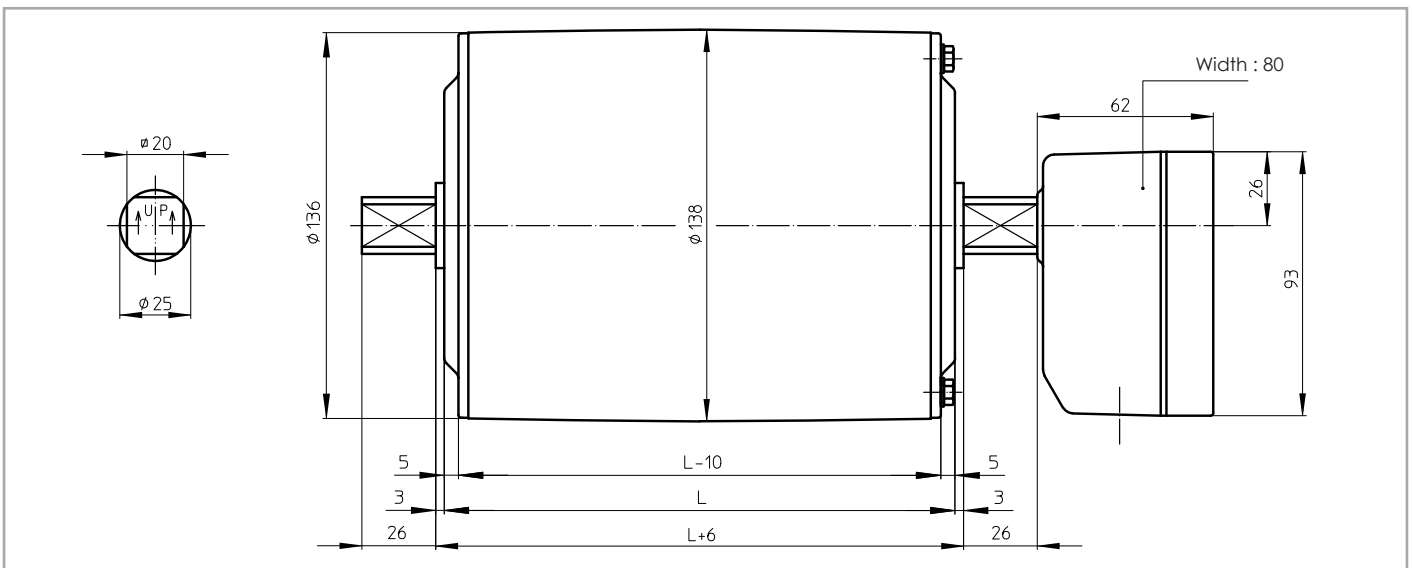
TM 138A25 CR (RVS)

TM 138A25 CR, stainless steel drummotor with polyamide junction box and CR sealing



TM 138B25 CR (RVS)

TM 138B25 CR, stainless steel drummotor with polyamide junction box and CR sealing

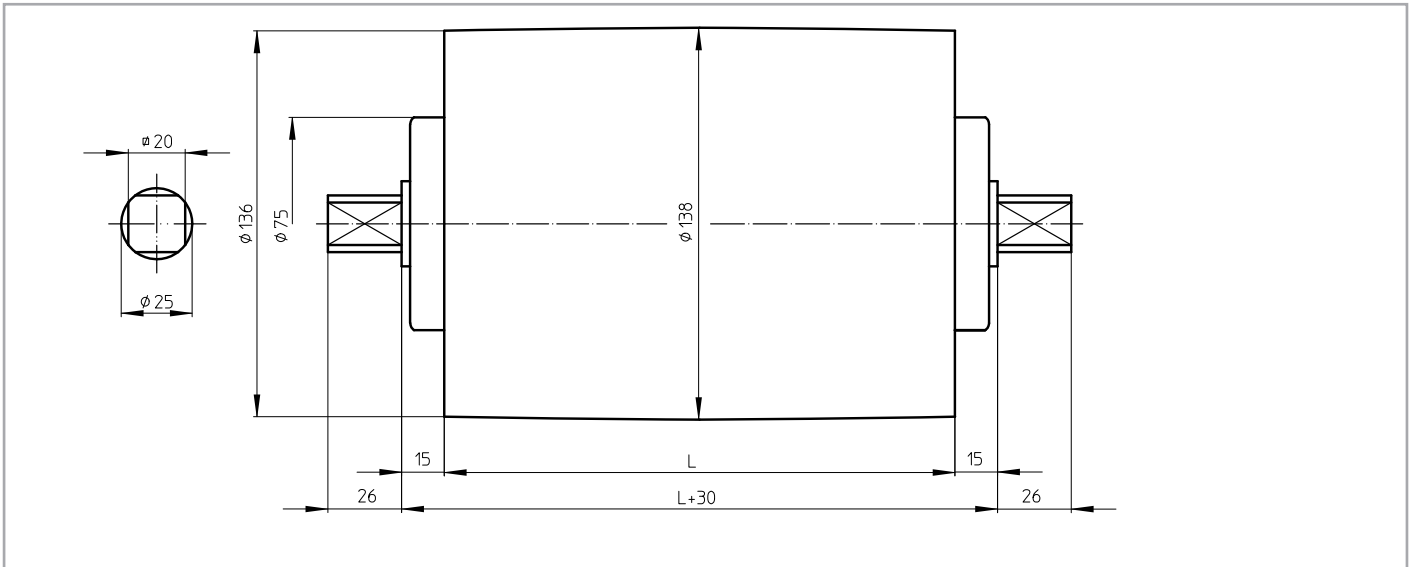




Dimensions taildrums

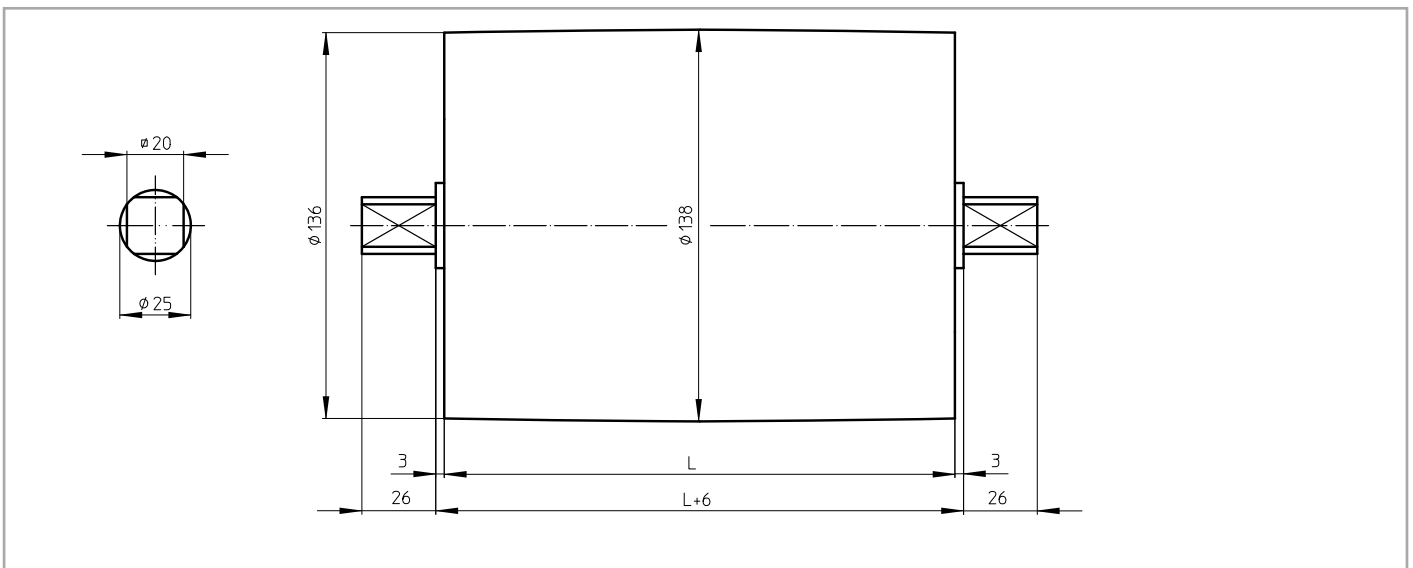
KT 138A25

KT 138A25, mildsteel taildrum



KT 138B25

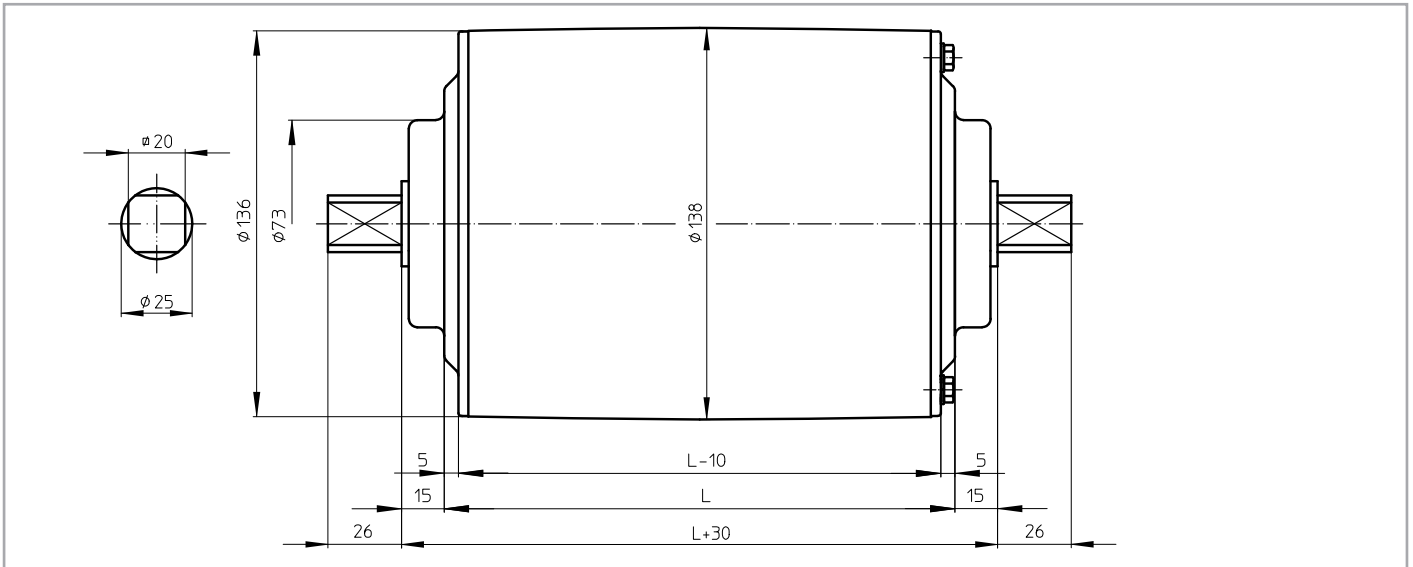
KT 138B25, mildsteel taildrum mildsteel taildrum





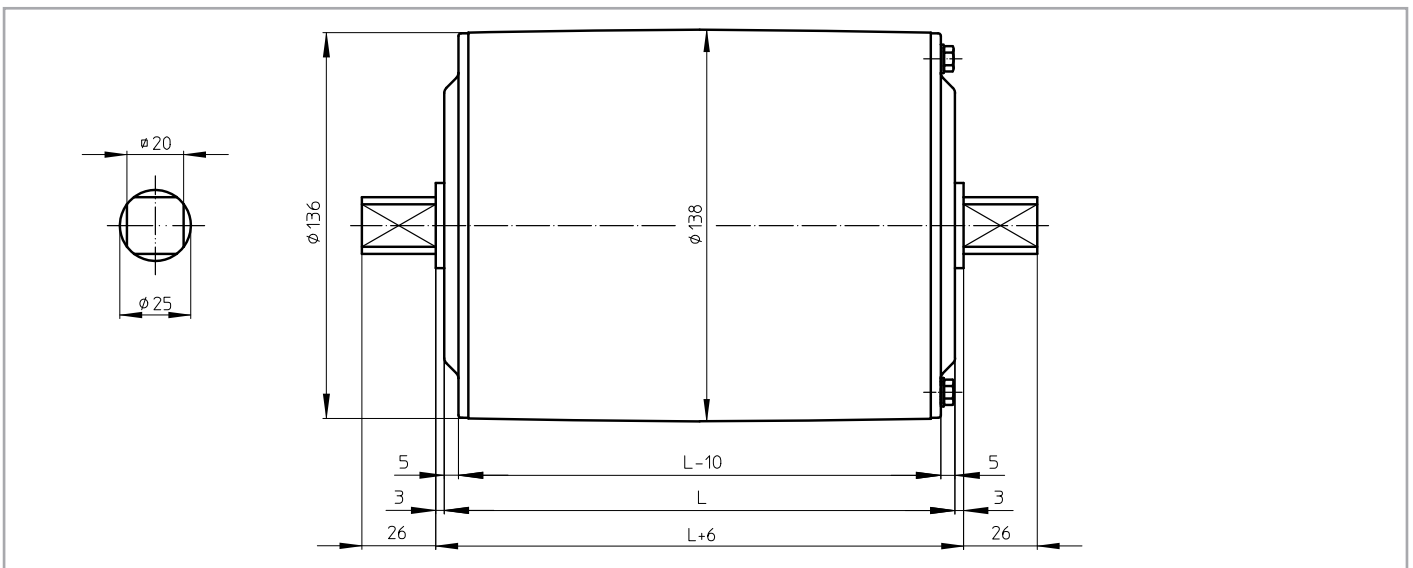
KT 138A25 CR (RVS)

KT 138A25 CR, stainless steel taildrum with CR sealing



KT 138B25 CR (RVS)

KT 138B25 CR, stainless steel taildrum with CR sealing





Cable exit

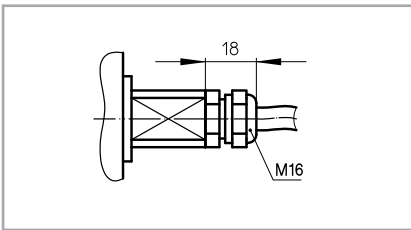
Standard execution of a TM 138-25 is with a cast iron terminal box. For stainless steel execution, this can be either a polyamide or stainless steel terminal box.

On request a drummotor can be fitted with a cable. In this case it is important to know the available voltage (preferably 1 voltage), the length of the cable, whether the cable is shielded or not and the type of cable exit.

An overview of available cable exits is shown below.

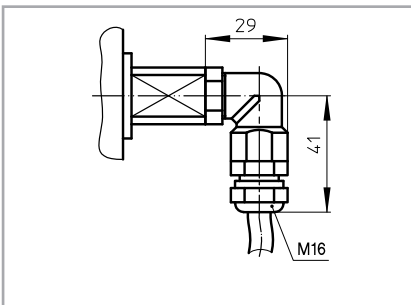
Option 1

Straight cable exit with cable gland



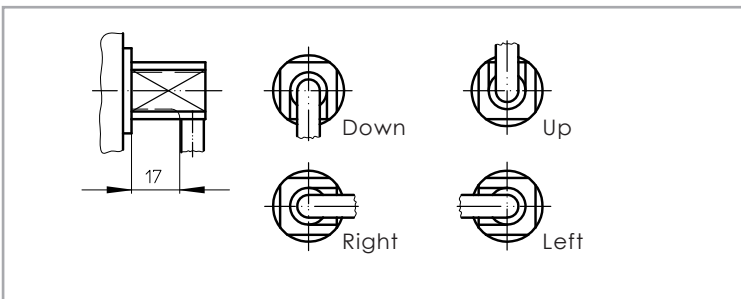
Option 3

Elbow cable exit with cable gland (minimum drumlength increases with at least 25 mm)



Option 4

Open cable exit (minimum drumlength increases with at least 25 mm)

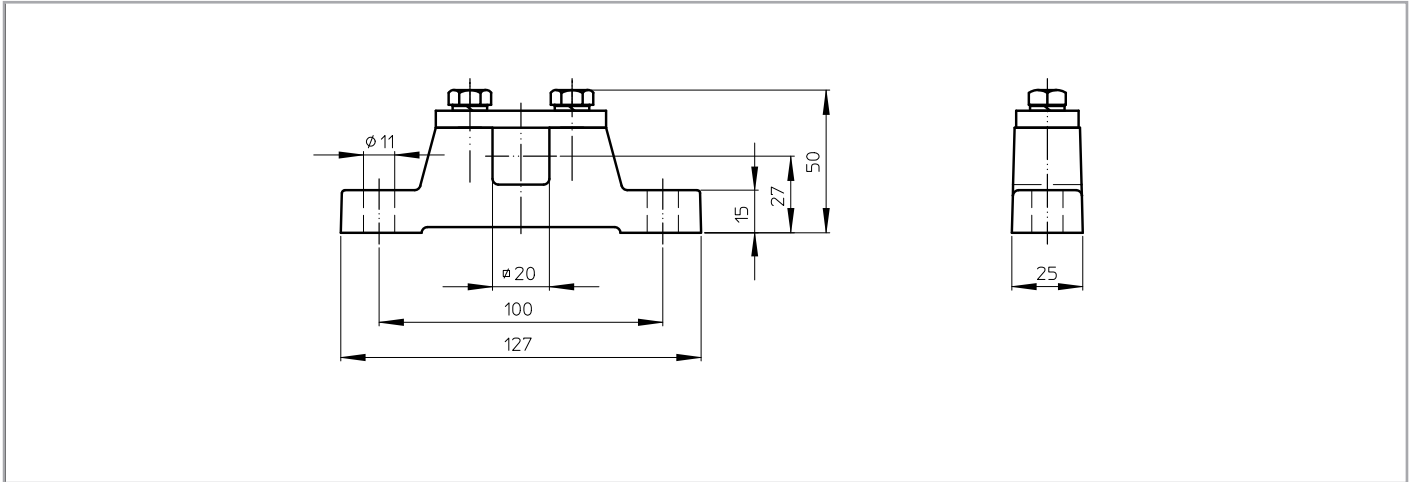




Bracket drawings

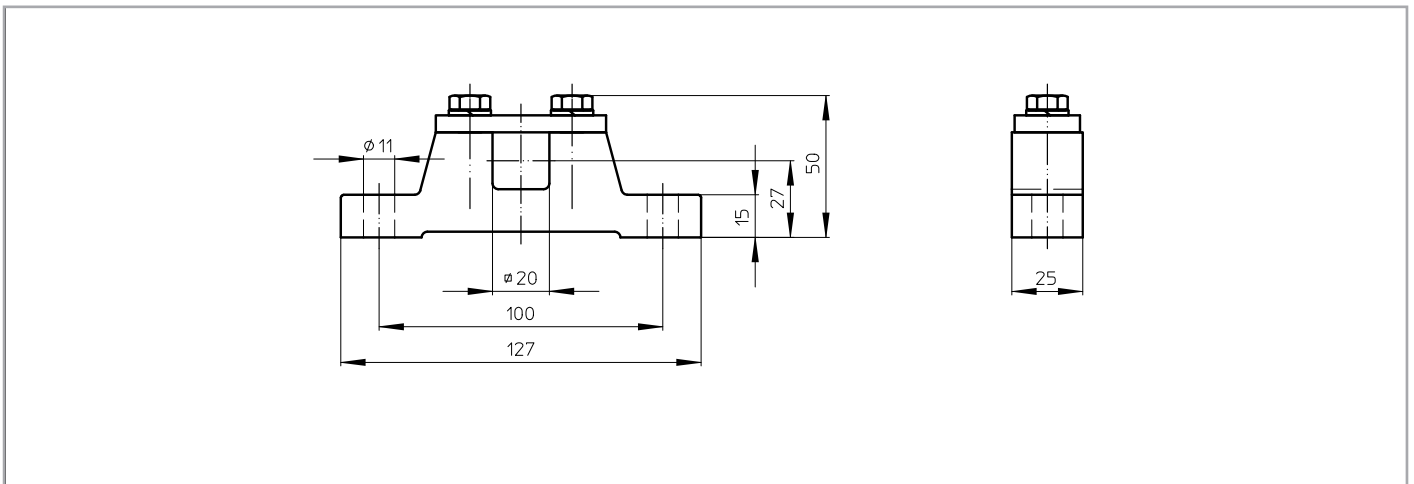
AB 25

AB 25, cast iron or steel bracket



AB 25 RVS

AB 25 RVS, stainless steel bracket





Product overview TM 160-25

TYPE TM 160.25	Power kW	Beltspeed m/s at 50 Hz Beltpull N							Min. L mm Design A	Min. L mm Design B	Full load curr. 400 V - 50 Hz I = ... A	Weight kg L=350
210 Z	0,75	3,30 215	2,50 285	2,20 325	1,60 445	0,95 750	0,80 890	300	350	1,7	25	
410 Z	0,75	1,70 420	1,25 570	1,10 650	0,65 1095			300	350	1,9	25	
275 Z	0,55	3,30 160	2,50 210	2,20 240	1,60 325	0,95 550		300	300	1,1	23	
475 Z	0,55	1,70 305	1,25 420	1,10 475	0,80 655	0,65 805	0,50 1045	300	300	1,3	23	
205 Z	0,37	3,30 105	2,50 140	2,20 160	1,60 220	0,95 370		300	300	0,9	22	
405 Z	0,37	1,70 205	1,25 280	1,10 320	0,80 440	0,65 540	0,50 705	0,40 880	300	300	1,0	22
605 Z	0,37	0,31 1135						300	300	1,1	23	
434 Z	0,25	1,70 140	1,25 190	1,10 215	0,80 295	0,65 365	0,50 475	0,40 595	300	300	0,7	21
834 Z	0,25	0,31 765	0,25 950	0,20 1190				300	300	1,0	23	
825 Z	0,18	0,31 550	0,25 685	0,20 855				300	300	0,8	22	
818 Z	0,13	0,31 400	0,25 495	0,20 620				300	300	0,6	21	
1218 Z	0,13	0,15 825	0,13 950					300	350	0,9	25	
1213 Z	0,10	0,15 635	0,13 730					300	300	0,6	23	

Available standard facewidth's: 300 - 350 - 400 - 425 - 450 - 500 - 550 - 600 -
650 - 700 - 750 - 800 - 850 - 900 - 950 - 1000 mm

When an electro-mechanical brake is fitted, the minimum facewidth is increased by 100 mm.

The total weight of a drummotor grows approx. 2,5 kg. per 100 mm.

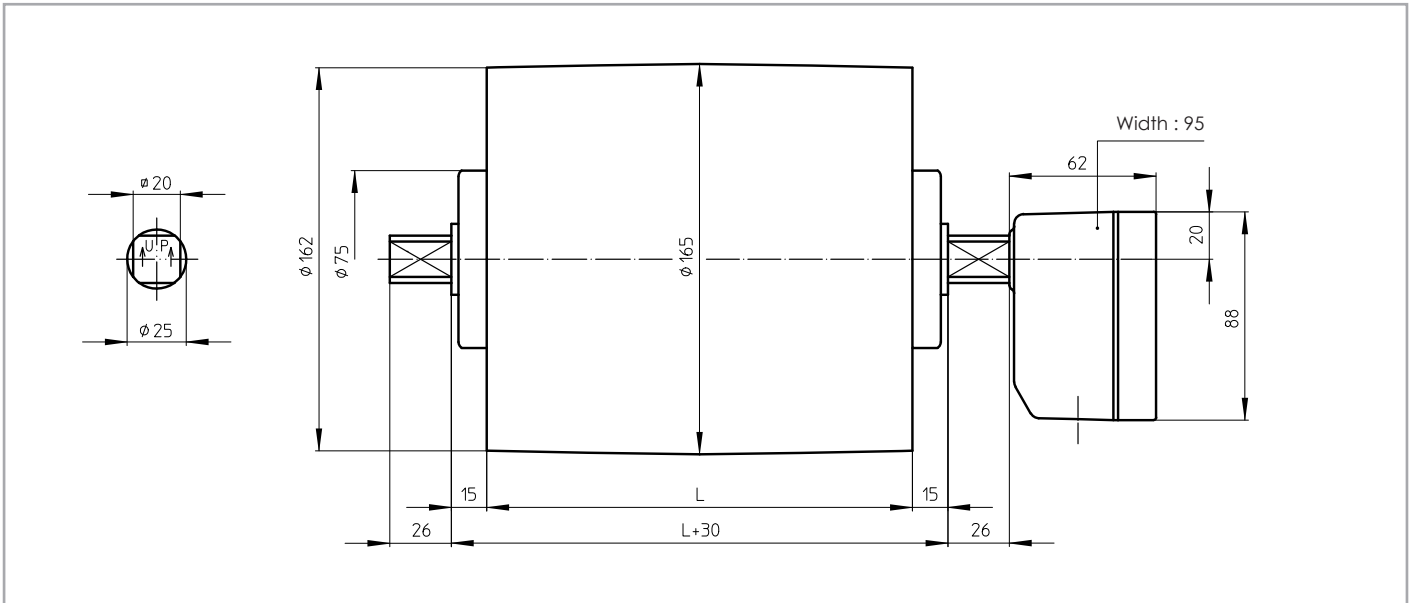
Available torque: $(\text{Beltpull N} \times \text{Drum diameter m}) / 2 \text{ Nm}$ (max. 260 Nm)



Dimensions drummotors

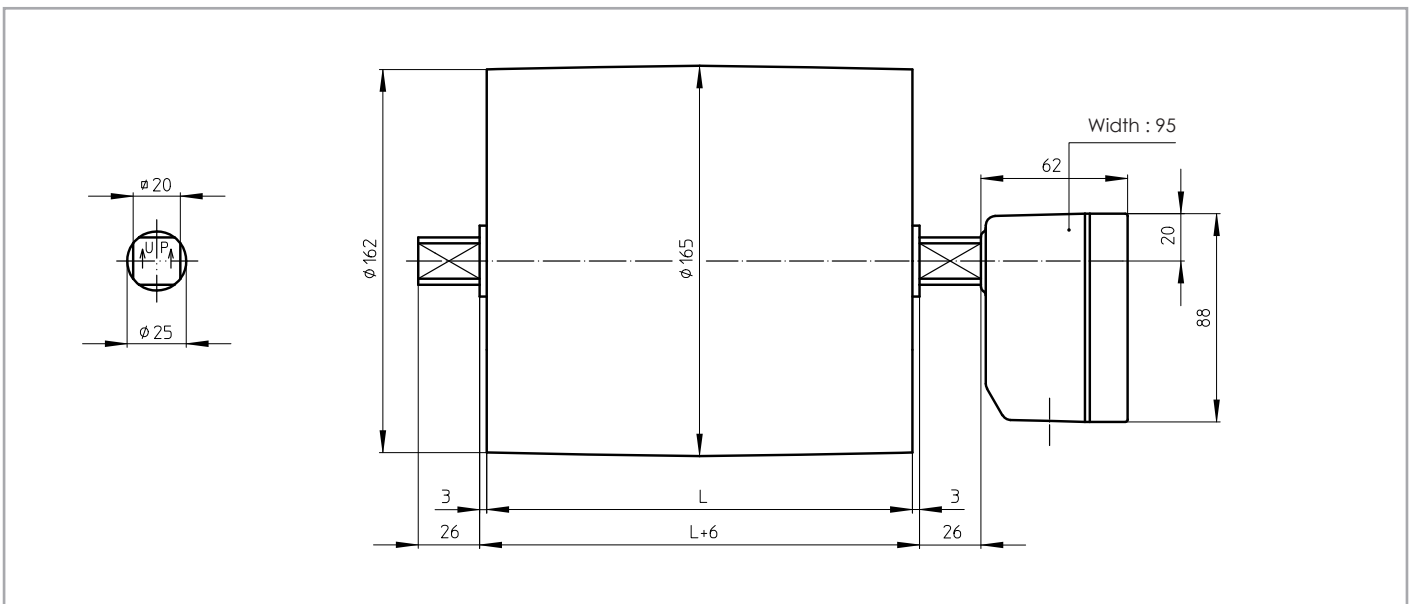
TM 160A25

TM 160A25, mildsteel drummotor with cast iron junction box



TM 160B25

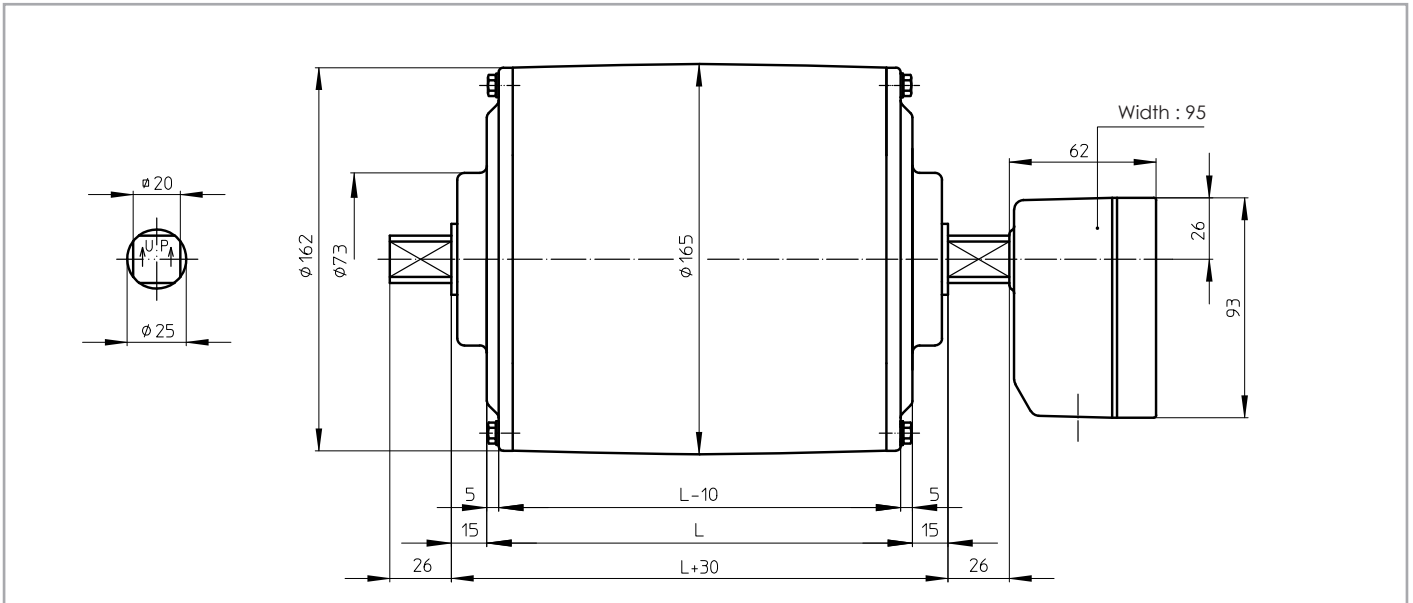
TM 160B25, mildsteel drummotor with cast iron junction box





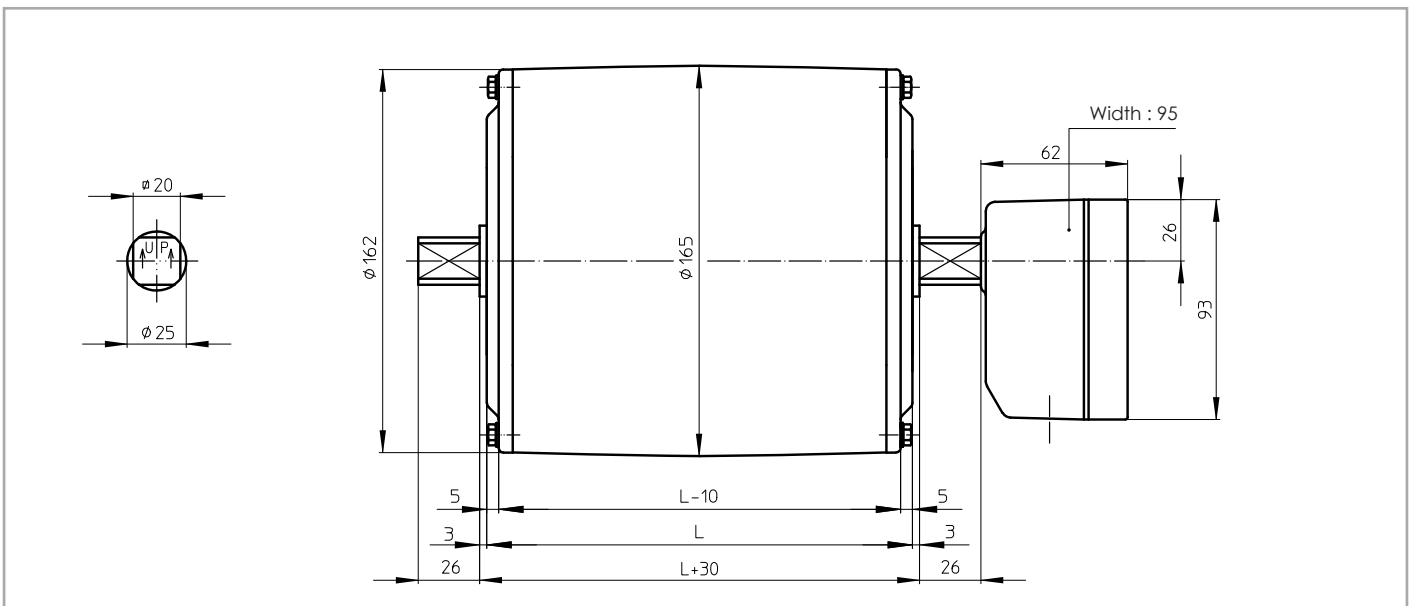
TM 160A25 CR (RVS)

TM 160A25 CR, stainless steel drummotor with polyamide junction box and CR sealing



TM 160B25 CR (RVS)

TM 160B25 CR, stainless steel drummotor with polyamide junction box and CR sealing

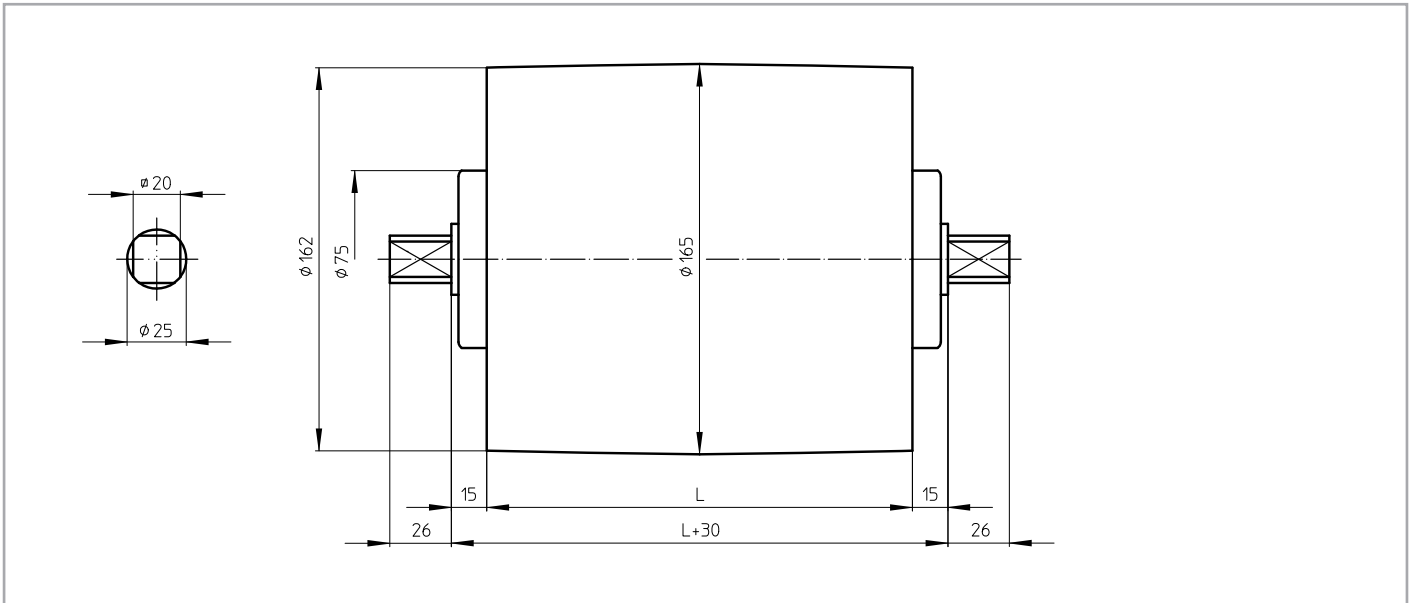




Dimensions taildrums

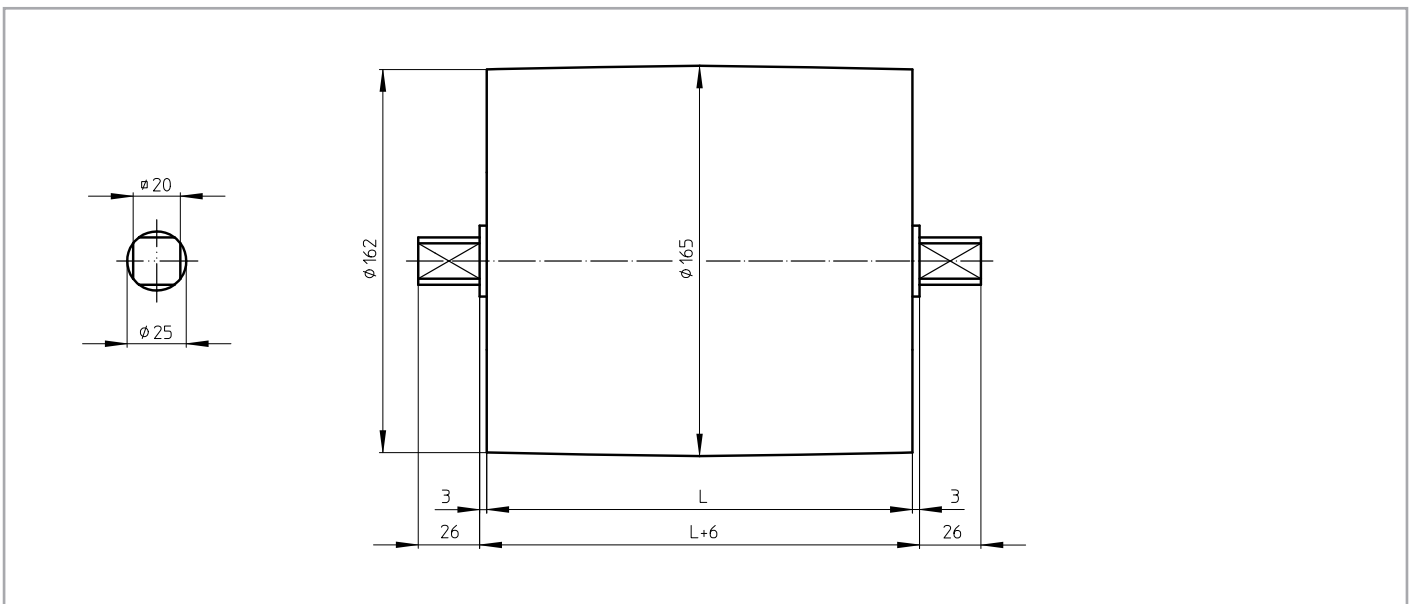
KT 160A25

KT 160A25, mildsteel taildrum



KT 160B25

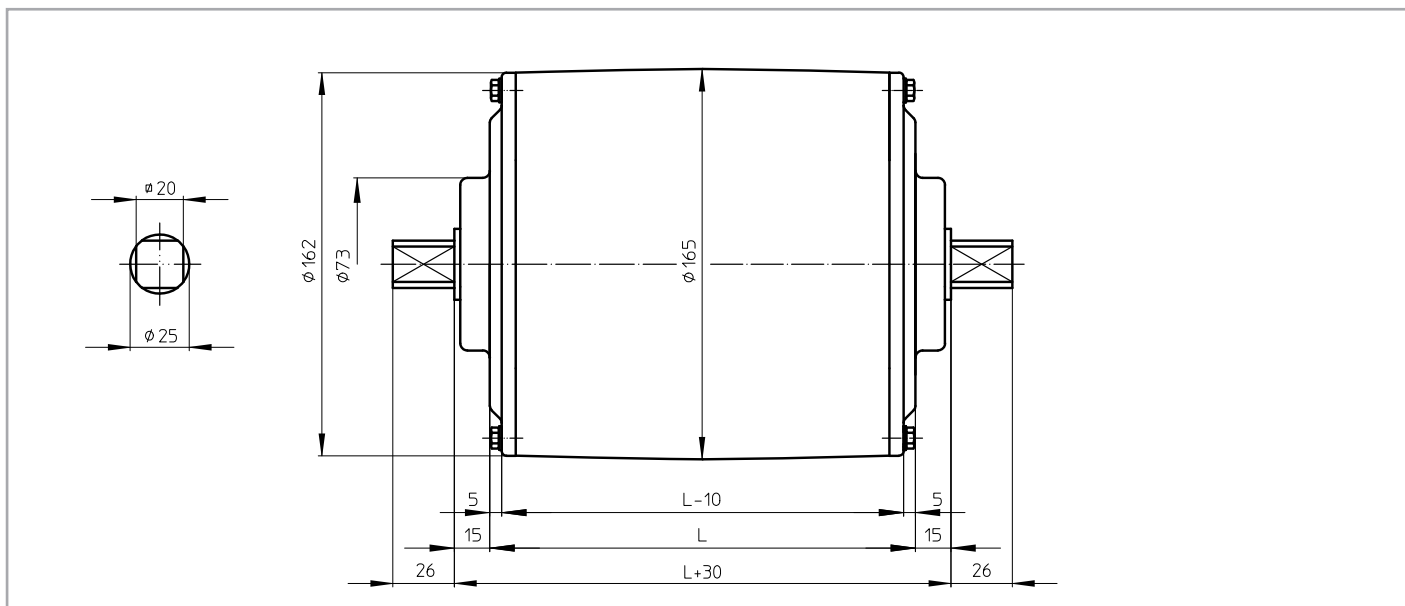
KT 160B25, mildsteel taildrum





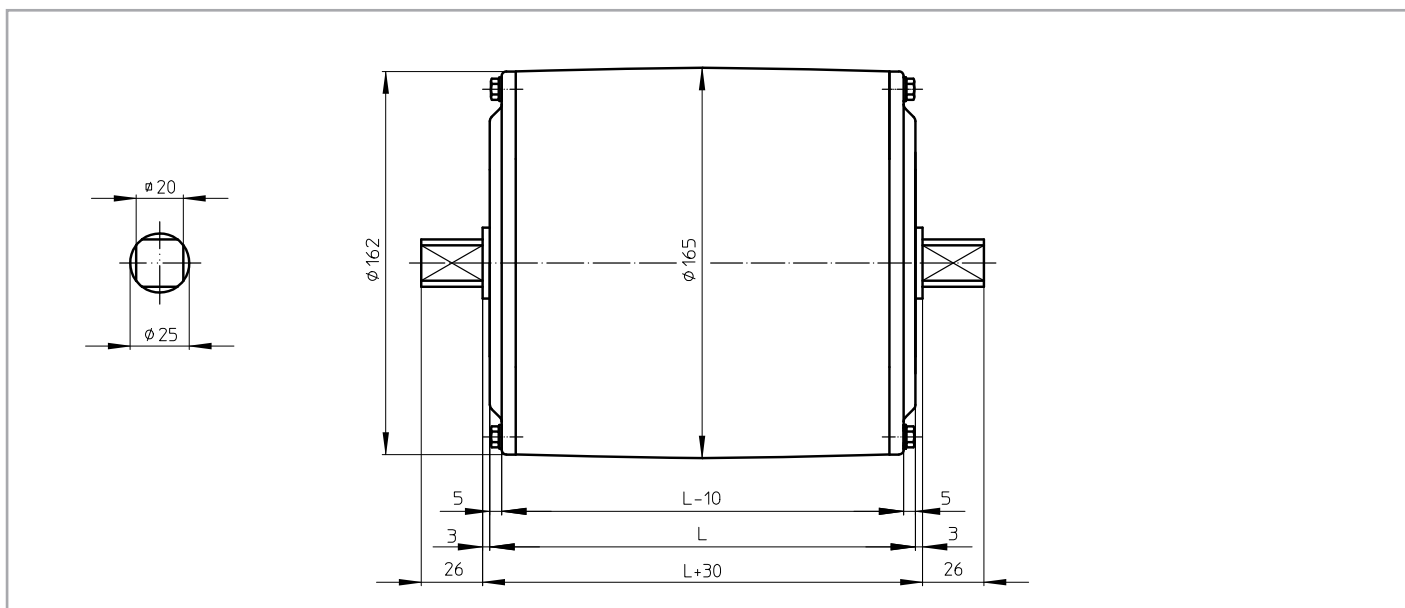
KT 160A25 CR (RVS)

KT 160A25 CR, stainless steel taildrum with CR sealing



KT 160B25 CR (RVS)

KT 160B25 CR, stainless steel taildrum with CR sealing





Cable exit

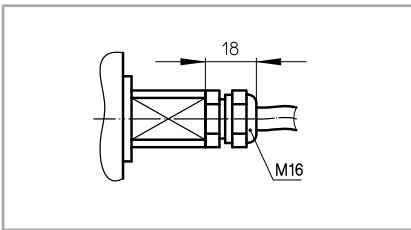
Standard execution of a TM 160-25 is with a cast iron terminal box. For stainless steel execution, this can be either a polyamide or stainless steel terminal box.

On request a drummotor can be fitted with a cable. In this case it is important to know the available voltage (preferably 1 voltage), the length of the cable, whether the cable is shielded or not and the type of cable exit.

An overview of available cable exits is shown below.

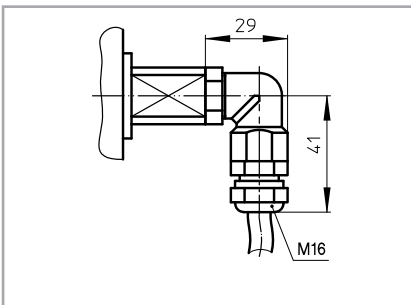
Option 1

Straight cable exit with cable gland



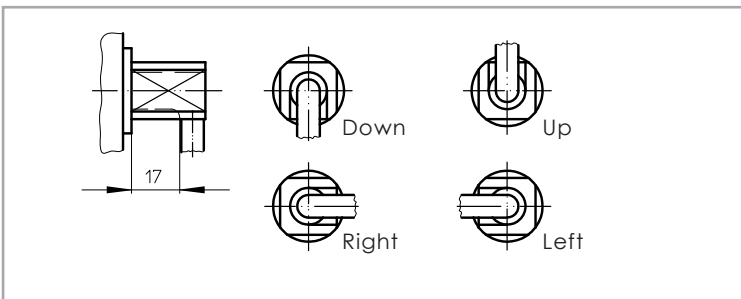
Option 3

Elbow cable exit with cable gland (minimum drumlength increases with at least 25 mm)



Option 4

Open cable exit (minimum drumlength increases with at least 25 mm)

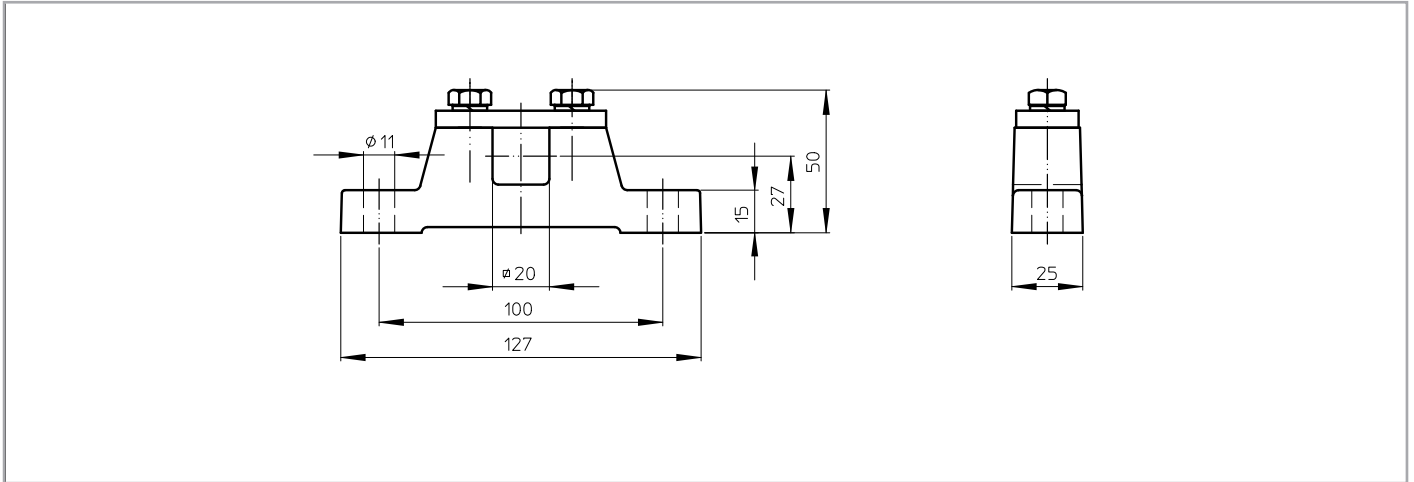




Bracket drawings

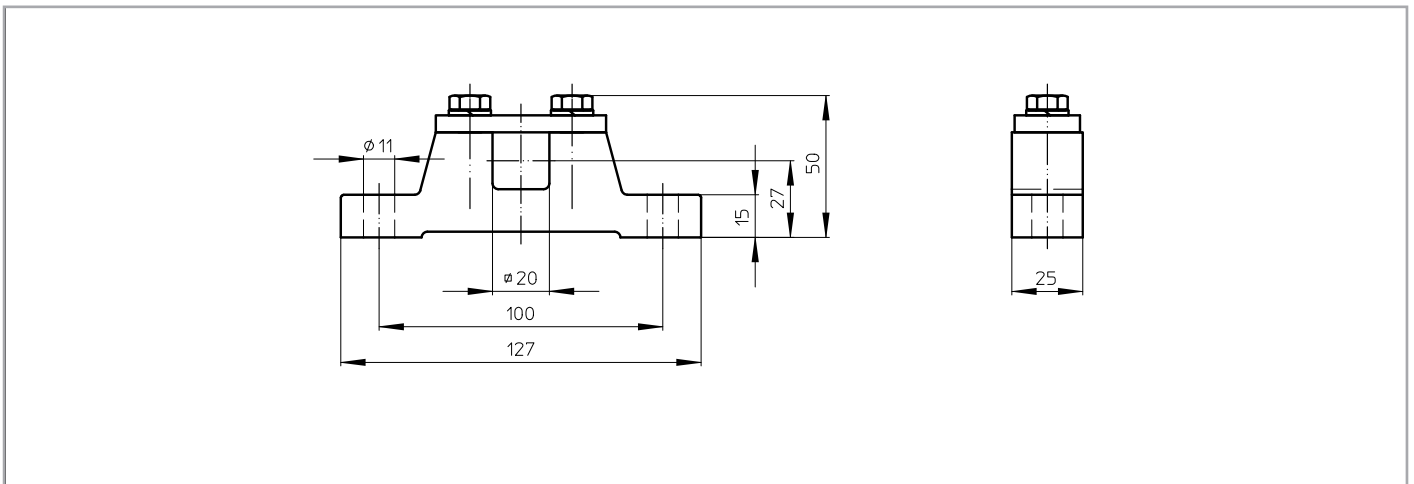
AB 25

AB 25, cast iron or steel bracket



AB 25 RVS

AB 25 RVS, stainless steel bracket





Product overview TM 160-30

TYPE TM 160.30	Power kW	Beltspeed m/s at 50 Hz Beltpull N								Min. L mm Design A	Min. L mm Design B	Full load curr. 400 V - 50 Hz I = ... A	Weight kg L=350
230	2,20	4,00	3,40	2,80	2,60	2,10	1,70			400	450	5,6	32
230 Z		520	615	745	805	995	1230						
230 ZV		1,40 1495	1,30 1610	1,20 1740	1,15 1815	1,00 2090	0,90 2320	0,85 2460	0,80 2610				
220	1,50	4,00	3,40	2,80	2,60	2,10	1,70			350	400	3,3	31
220 Z		355	420	510	550	680	840						
220 ZV		1,40 1020	1,30 1095	1,20 1190	1,15 1240	1,00 1425							
420	1,50	2,50	2,10	1,80	1,60	1,30	1,10			400	450	3,7	32
420 ZV		570	680	790	890	1095	1295						
415	1,10	2,00	1,70	1,40	1,25	1,10	0,85			350	400	2,8	31
415 Z		525	615	745	835	950	1230						
415 ZV		0,70 1495	0,65 1610	0,60 1740	0,55 1900	0,50 2090	0,45 2320	0,40 2615					
410	0,75	2,00	1,70	1,40	1,25	1,10	0,85	0,75	0,70	350	400	1,9	30
410 Z		355	420	510	570	650	840	950	1020				
410 ZV		0,65 1095	0,60 1190	0,55 1295	0,50 1425								
410 PL2		0,45 1585	0,40 1780	0,34 2095									
475	0,55	2,00	1,70	1,40	1,25	1,10	0,85	0,75	0,70	350	400	1,6	29
475 Z		260	305	375	420	475	615	695	745				
475 ZV		0,50 1045	0,45 1160	0,40 1305	0,34 1535								
475 PL2		0,31 1685											
675	0,55	0,95	0,60							350	400	1,6	31
675 Z		550	870										
675 ZV		0,37 1410	0,29 1800	0,27 1935	0,23 2270								



TYPE TM 160.30	Power kW	Beltspeed m/s at 50 Hz Beltpull N										Min. L mm Design A	Min. L mm Design B	Full load curr. 400 V - 50 Hz I = ... A	Weight kg L=350
605	0,37	1,40	1,10	0,95	0,85	0,70	0,60	0,50	0,45	0,35		350	400	1,4	30
605 Z		250	320	370	415	500	585	705	780	1005					
605 ZV		0,30	0,29	0,27											
605 PL2		1170	1210	1300											
		0,23	0,20												
		1530	1760									400	425		
		0,18	0,15	0,12											
		1890	2270	2835											
634	0,25	1,40	1,10	0,95	0,85	0,70	0,60	0,50	0,45	0,35	0,30	350	400	0,9	29
634 Z		170	215	250	280	340	395	475	530	680	790				
		0,29	0,27	0,23	0,20										
		820	880	1035	1190										
834	0,25	1,00	0,65	0,55	0,40	0,26						350	400	1,0	31
834 Z		240	365	430	595	915									
834 PL2		0,17	0,15												
		1395	1585												
		0,14	0,12	0,09											
		1645	1915	2555								400	425		
825	0,18	1,00	0,85	0,70	0,65	0,55	0,40	0,35	0,26	0,23		350	400	0,9	30
825 Z		170	200	245	265	310	430	490	660	745					
		0,20	0,17	0,15											
		855	1005	1140											
818	0,13	1,00	0,85	0,70	0,65	0,55	0,40	0,35	0,26	0,23		350	400	0,6	29
818 Z		125	145	175	190	225	310	355	475	535					
		0,20	0,17	0,15											
		620	725	825											
1218	0,13	0,45	0,33									350	400	0,9	31
1218 Z		275	375												
1218 PL2		0,13	0,11	0,10											
		950	1125	1235											
		0,09	0,07	0,06											
		1330	1710	1995								400	425		
1213	0,10	0,65	0,55	0,45	0,40	0,33	0,27	0,24	0,22	0,17	0,14	350	400	0,8	30
1213 Z		145	175	210	240	290	350	395	430	560	680				
		0,13	0,11	0,10											
		730	865	950											

Available standard facewidth's: 350 - 400 - 425 - 450 - 500 - 550 - 600 -
650 - 700 - 750 - 800 - 850 - 900 - 950 - 1000 mm

When an electro-mechanical brake is fitted, the minimum facewidth is increased by 100 mm.

The total weight of a drummotor grows approx. 2,5 kg. per 100 mm.

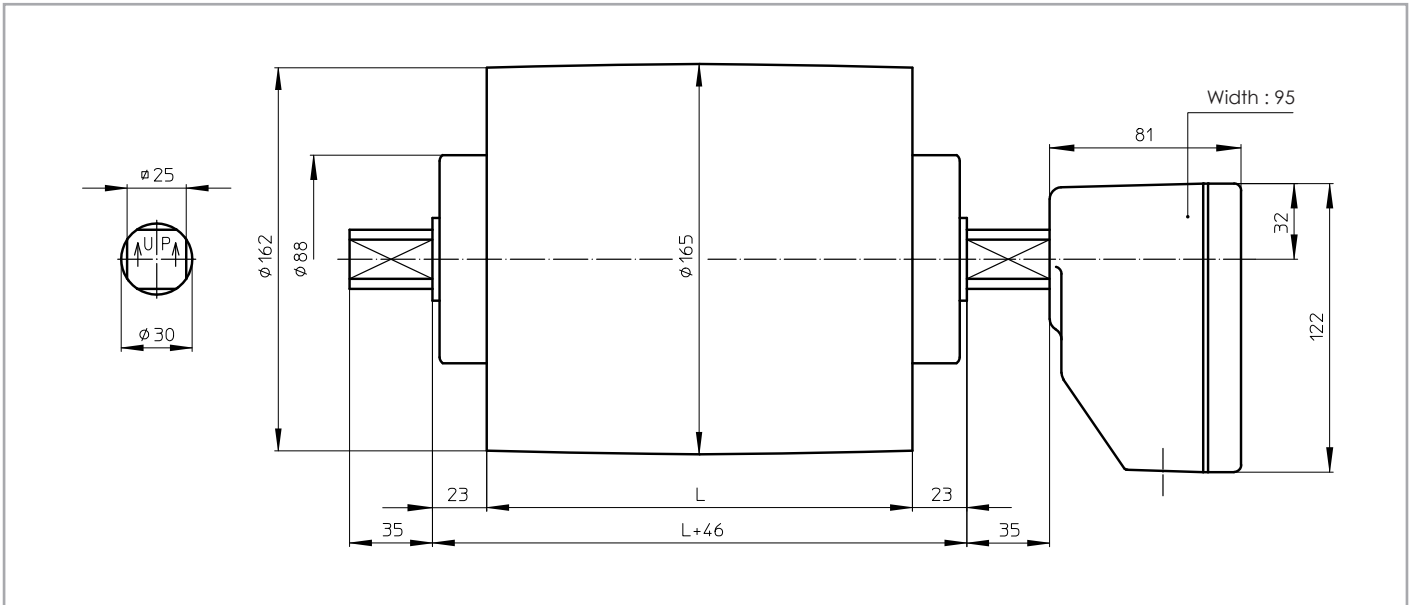
Available torque: $(\text{Beltpull N} \times \text{Drum diameter m}) / 2 \text{ Nm}$ (max. 260 Nm)



Dimensions drummotors

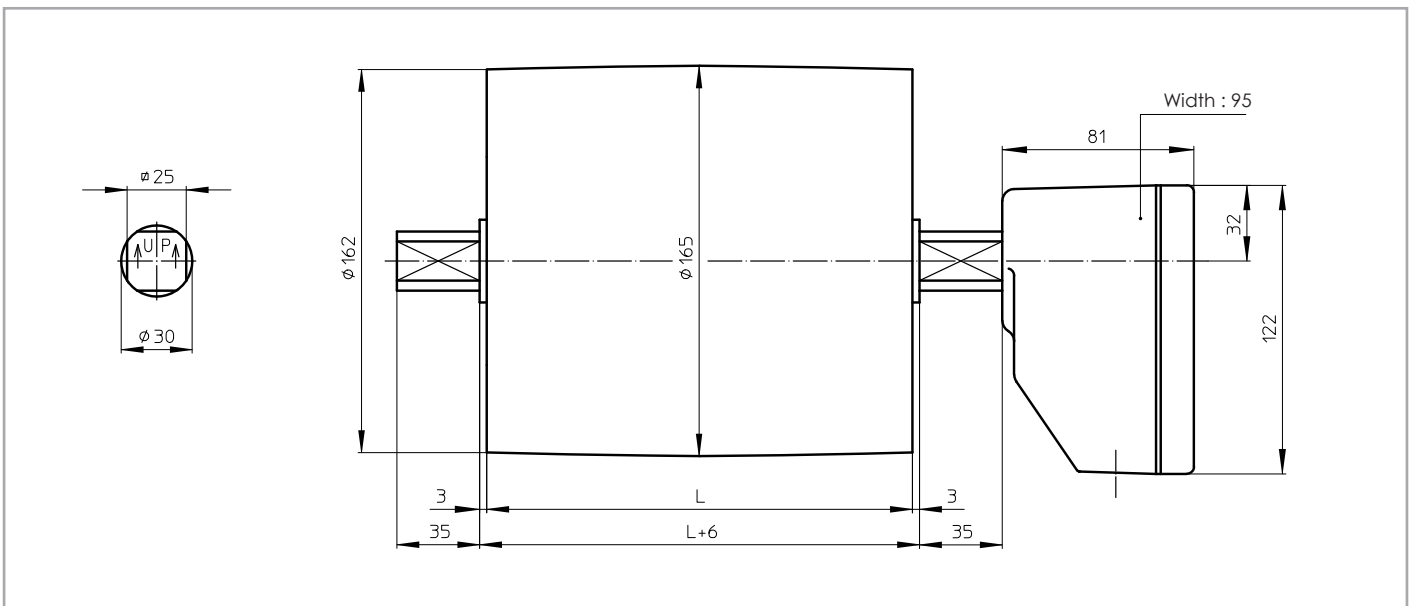
TM 160A30

TM 160A30, mildsteel drummotor with cast iron junction box



TM 160B30

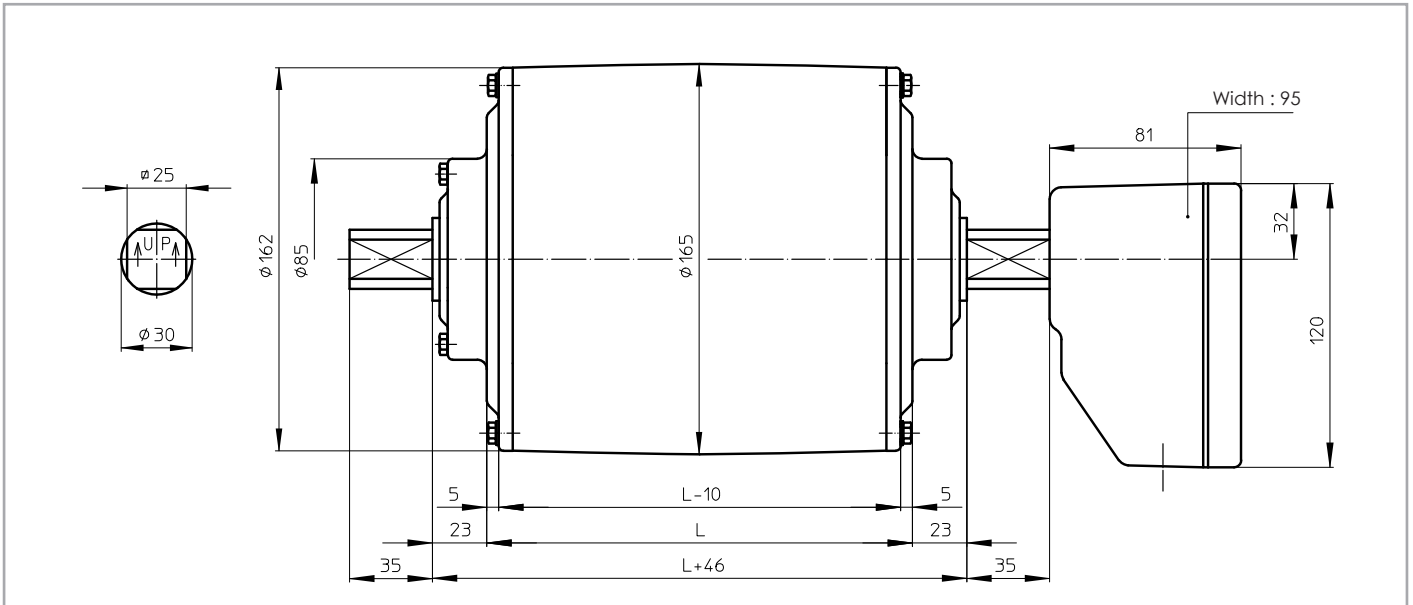
TM 160B30, mildsteel drummotor with cast iron junction box





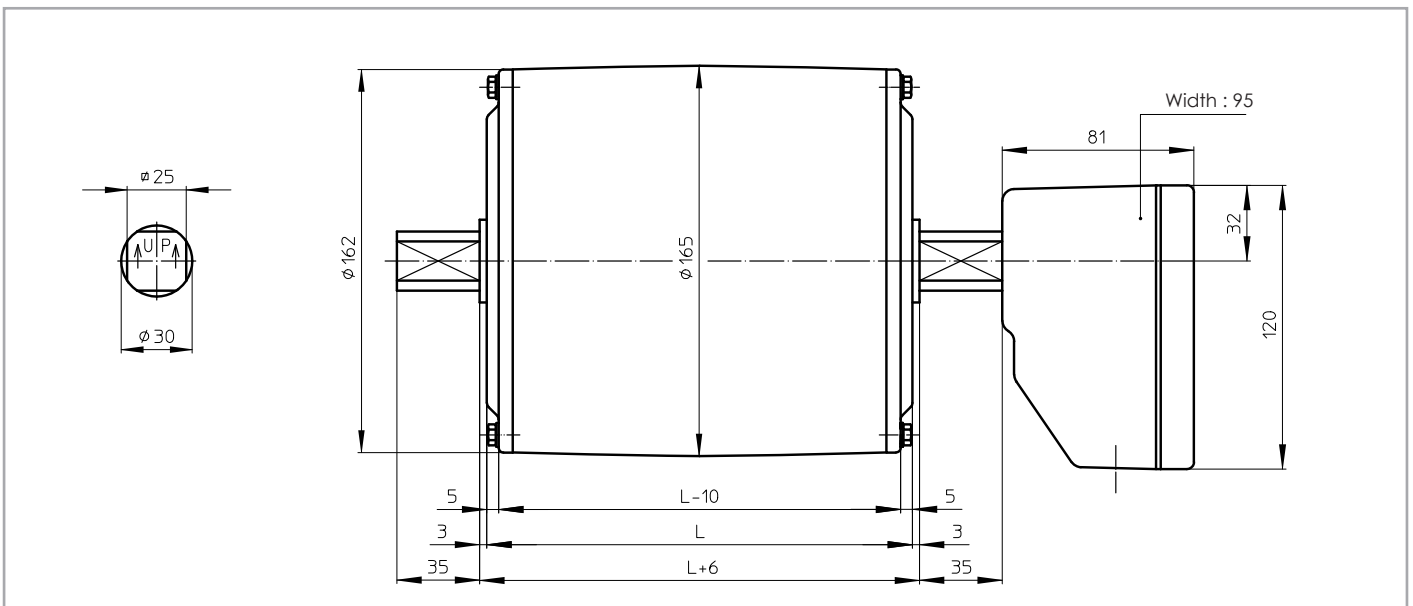
TM 160A30 CR (RVS)

TM 160A30 CR, stainless steel drummotor with polyamide junction box and CR sealing



TM 160B30 CR (RVS)

TM 160B30 CR, stainless steel drummotor with polyamide junction box and CR sealing

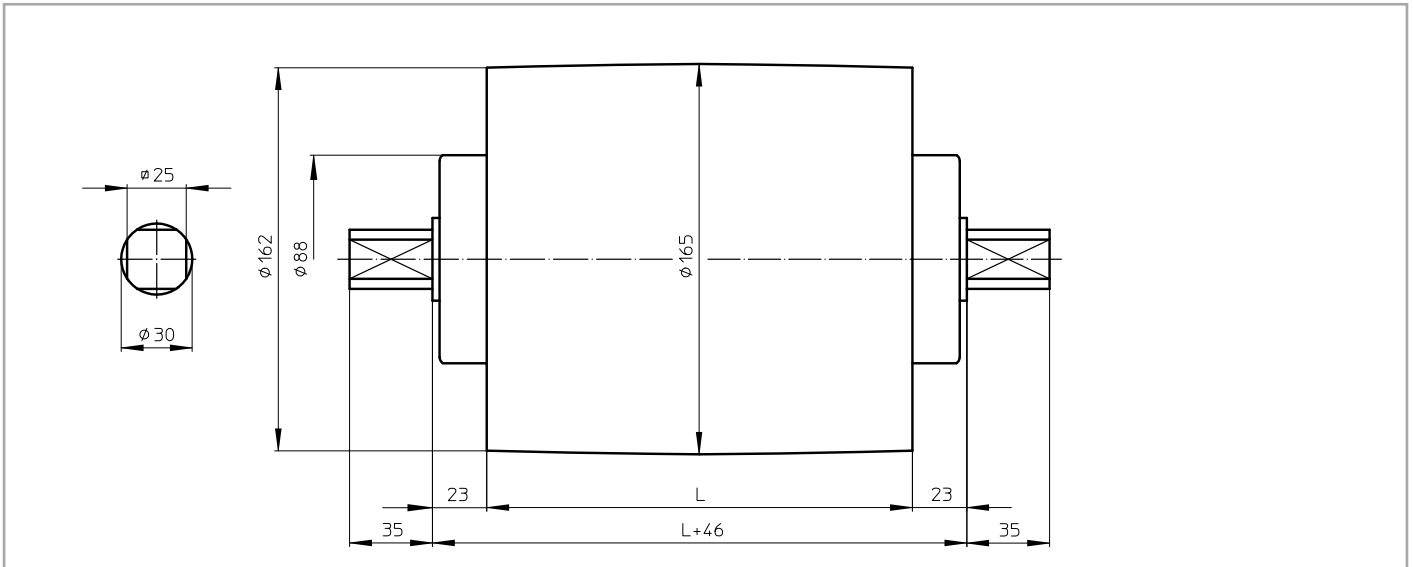




Dimensions taildrums

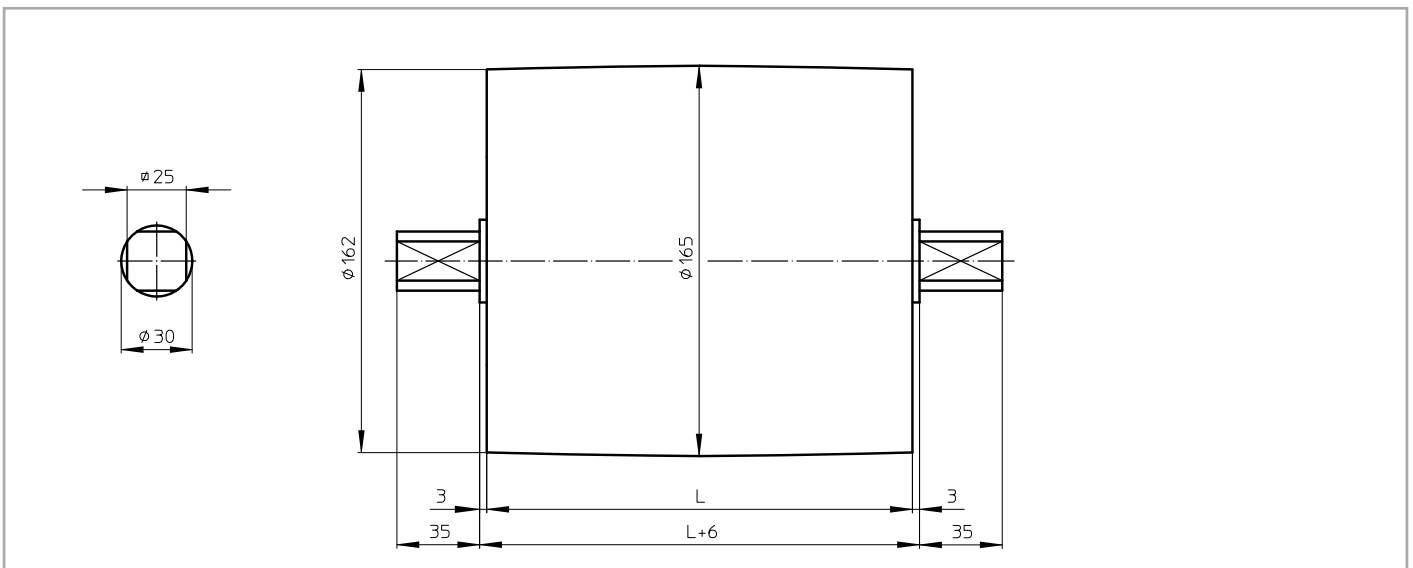
KT 160A30

KT 160A30, mildsteel taildrum



KT 160B30

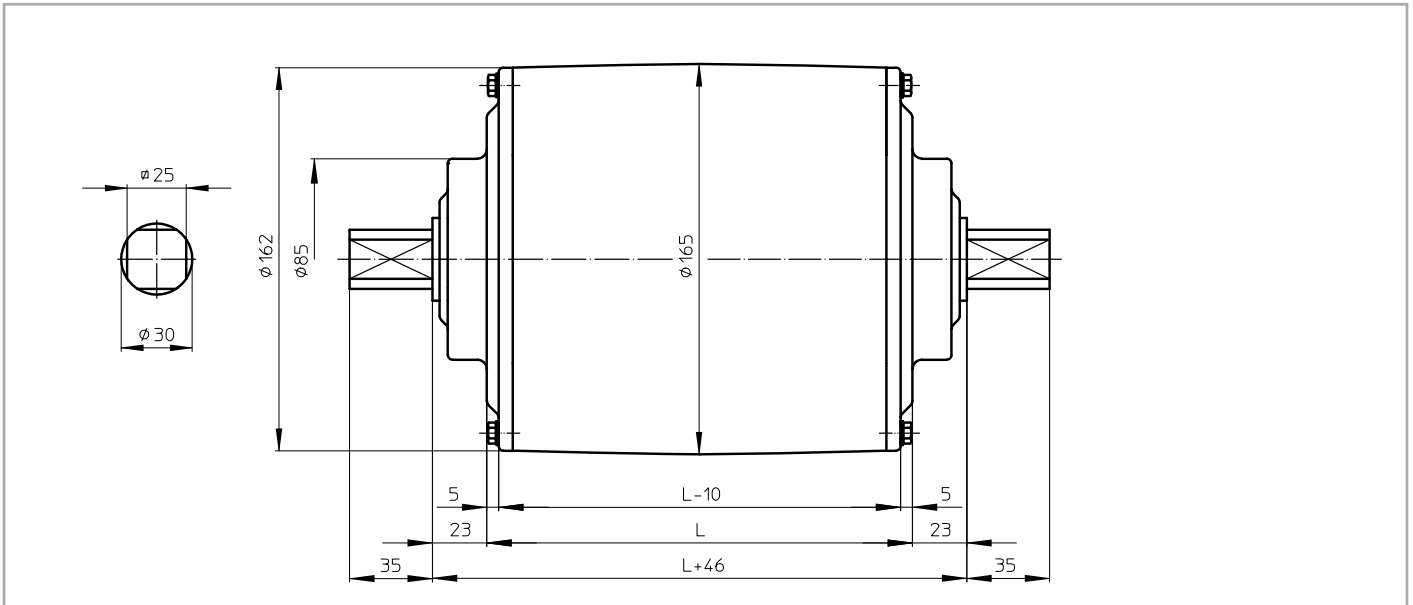
KT 160B30, mildsteel taildrum





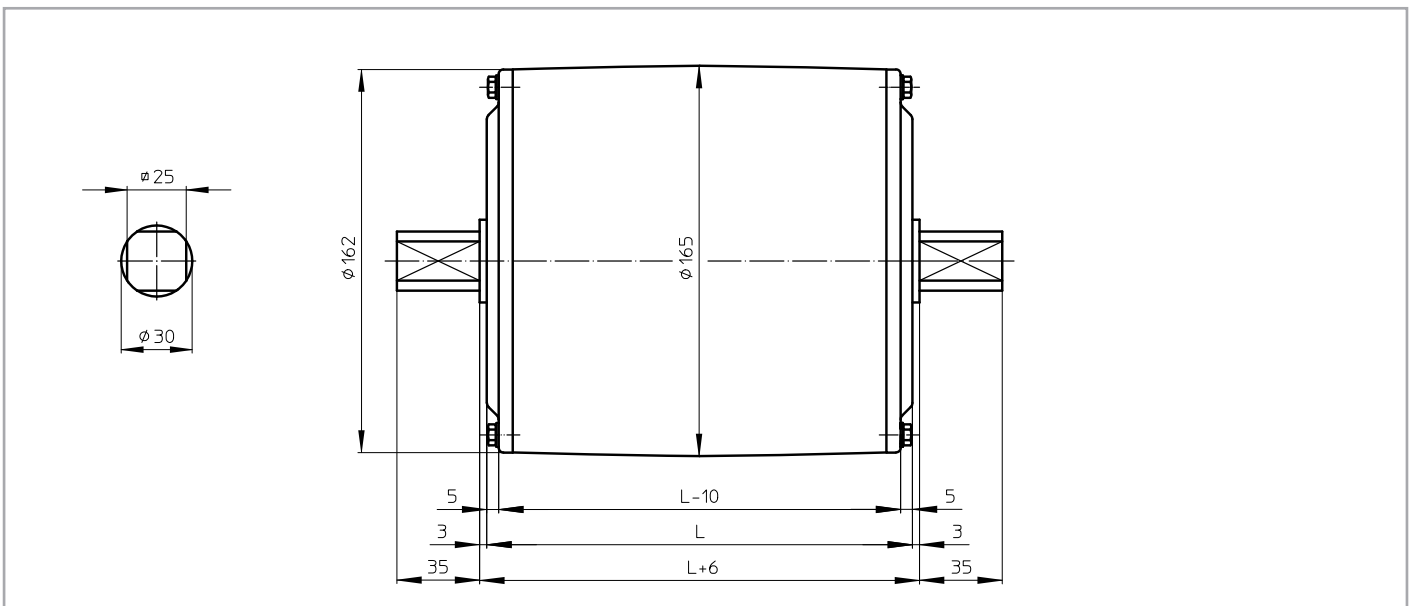
KT 160A30 CR (RVS)

KT 160A30 CR, stainless steel taildrum with CR sealing



KT 160B30 CR (RVS)

KT 160B30 CR, stainless steel taildrum with CR sealing





Cable exit

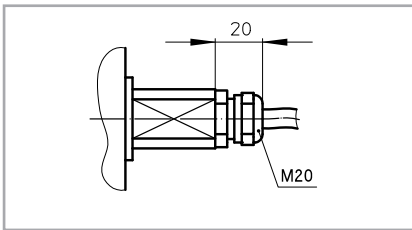
Standard execution of a TM 160-30 is with a cast iron terminal box. For stainless steel execution, this can be either a polyamide or stainless steel terminal box.

On request a drummotor can be fitted with a cable. In this case it is important to know the available voltage (preferably 1 voltage), the length of the cable, whether the cable is shielded or not and the type of cable exit.

An overview of available cable exits is shown below.

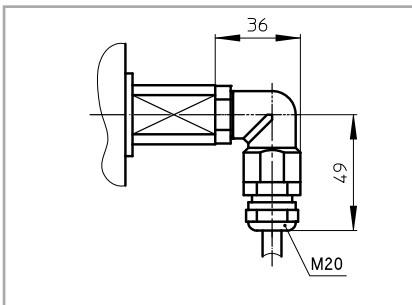
Option 1

Straight cable exit with cable gland



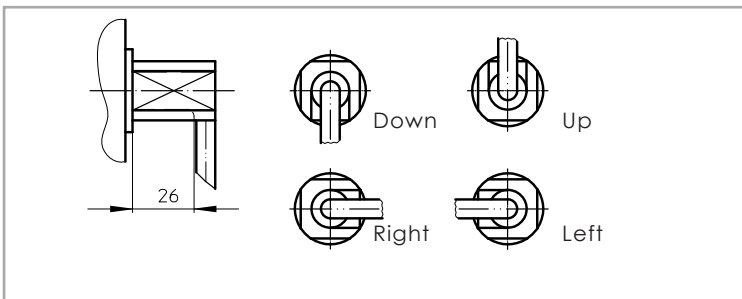
Option 3

Elbow cable exit with cable gland (minimum drumlength increases with at least 25 mm)



Option 4

Open cable exit (minimum drumlength increases with at least 25 mm)

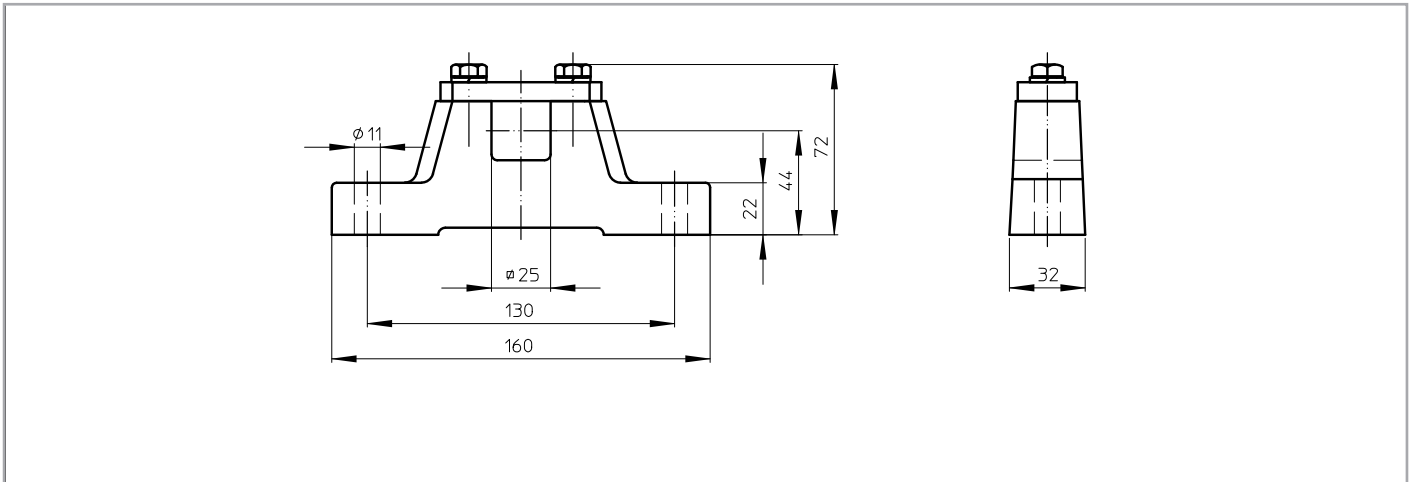




Bracket drawings

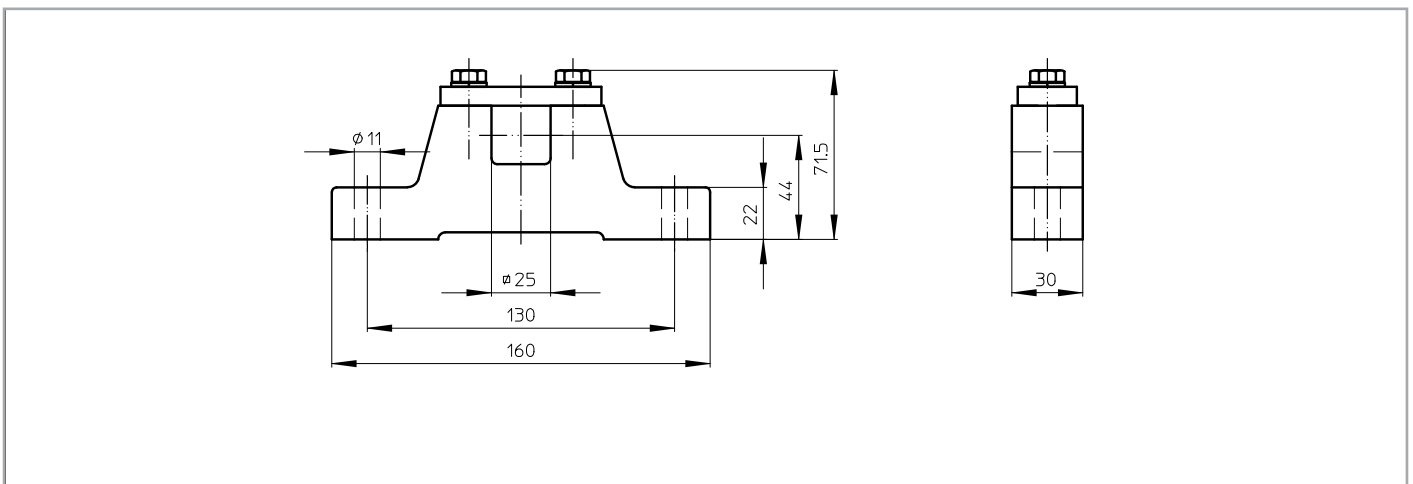
AB 30

AB 30, cast iron or steel bracket



AB 30 RVS

AB 30 RVS, stainless steel bracket





Product overview TM 215-30

TYPE TM 215.30	Power kW	Beltspeed m/s at 50 Hz Beltpull N								Min. L mm Design A	Min. L mm Design B	Full load curr. 400 V - 50 Hz I = ... A	Weight kg L=500								
230	2,20	5,30	4,50	3,70	3,40	2,80				400	450	5,6	48								
230 ZV		395	460	565	615	745	1,90	1,70	1,60					1,50	1,40	1,20					
		1100	1230	1305	1395	1495	1745														
220	1,50	5,30	4,50	3,70	3,40	2,80	2,30				350	400	3,1	47							
220 Z		270	315	385	420	510	620	1,90	1,70	1,60					1,50	1,40	1,20	1,10			
		750	840	890	950	1020	1190	1295													
420	1,50	3,30	2,80	2,40	2,10	1,70	1,50				400	450	3,7	48							
420 Z		430	510	595	680	840	950	1,10	1,00												
420 ZV		1295	1425			0,90	0,85	0,80	0,70												
		1585	1675	1780	2035																
415	1,10	2,70	2,30	1,90	1,70	1,40	1,20				350	400	2,8	47							
415 Z		385	455	550	615	745	870	0,90	0,85	0,80					0,75						
415 ZV		1160	1230	1305	1395				0,65	0,60					0,55						
		1610	1725	1900																	
410	0,75	2,70	2,30	1,90	1,70	1,40	1,20	1,00	0,90				350	400	1,9	46					
410 Z		265	310	375	420	510	595	715	790	0,85	0,80	0,75					0,65	0,60	0,55		
410 ZV		840	890	950	1095	1190	1295				0,45										
410 PL 2		1585			0,36	0,30															
		1915	2300				400	425													
475	0,55	2,70	2,30	1,90	1,70	1,40	1,20	1,00	0,90	0,70				350	400	1,6	45				
475 Z		195	225	275	305	375	435	525	580	745	0,65	0,60	0,55					0,45	0,40		
475 PL 2		805	870	950	1160	1305				0,24								400	425		
		2110																			
675	0,55	1,25	0,75							350	400	1,6	47								
675 Z		420	695	0,50	0,38	0,36															
675 ZV		1045	1375	1450																	
		1740																			



TYPE TM 215.30	Power kW	Beltspeed m/s at 50 Hz Beltpull N										Min. L mm Design A	Min. L mm Design B	Full load curr. 400 V - 50 Hz I = ... A	Weight kg L=500
605	0,37	1,80	1,50	1,25	1,20	0,90	0,75	0,65	0,60			350	400	1,4	46
605 Z		195	235	280	295	390	470	540	585						
605 PL2		0,45	0,40	0,38	0,36	0,30	0,27					400	425		
		780	880	925	975	1170	1300								
		0,24	0,20	0,16											
		1420	1700	2130											
634	0,25	1,80	1,50	1,25	1,20	0,90	0,75	0,65	0,60	0,45	0,40	350	400	0,9	45
634 Z		130	160	190	200	265	315	365	395	530	595				
		0,38	0,36	0,30	0,27										
		625	660	790	880										
834	0,25	1,40	0,85	0,70	0,55	0,50						350	400	1,0	47
834 Z		170	280	340	430	475									
834 PL2		0,22	0,20									400	425		
		1080	1190												
		0,18	0,16	0,12											
		1280	1440	1915											
825	0,18	1,40	1,20	0,90	0,85	0,70	0,55	0,50	0,45	0,34	0,30	350	400	0,9	46
825 Z		120	145	190	200	245	310	340	380	505	570				
		0,26	0,22	0,20											
		660	775	855											
818	0,13	1,40	1,20	0,90	0,85	0,70	0,55	0,50	0,45	0,34	0,30	350	400	0,6	45
818 Z		90	105	135	145	175	225	245	275	365	410				
		0,26	0,22	0,20											
		475	560	620											
1218	0,13	0,60	0,18									350	400	0,9	47
1218 Z		205	685												
1218 PL2		0,17	0,15	0,13								400	425		
		725	825	950											
		0,12	0,09	0,08											
		995	1330	1495											
1213	0,10	0,85	0,70	0,60	0,55	0,45	0,36	0,32	0,29	0,22	0,18	350	400	0,8	46
1213 Z		110	135	160	175	210	265	300	330	430	530				
		0,17	0,15	0,13											
		560	635	730											

Available standard facewidth's: 350 - 400 - 425 - 450 - 500 - 550 - 600 -
650 - 700 - 750 - 800 - 850 - 900 - 950 - 1000 mm

When an electro-mechanical brake is fitted, the minimum facewidth is increased by 100 mm.

The total weight of a drummotor grows approx. 4,5 kg. per 100 mm.

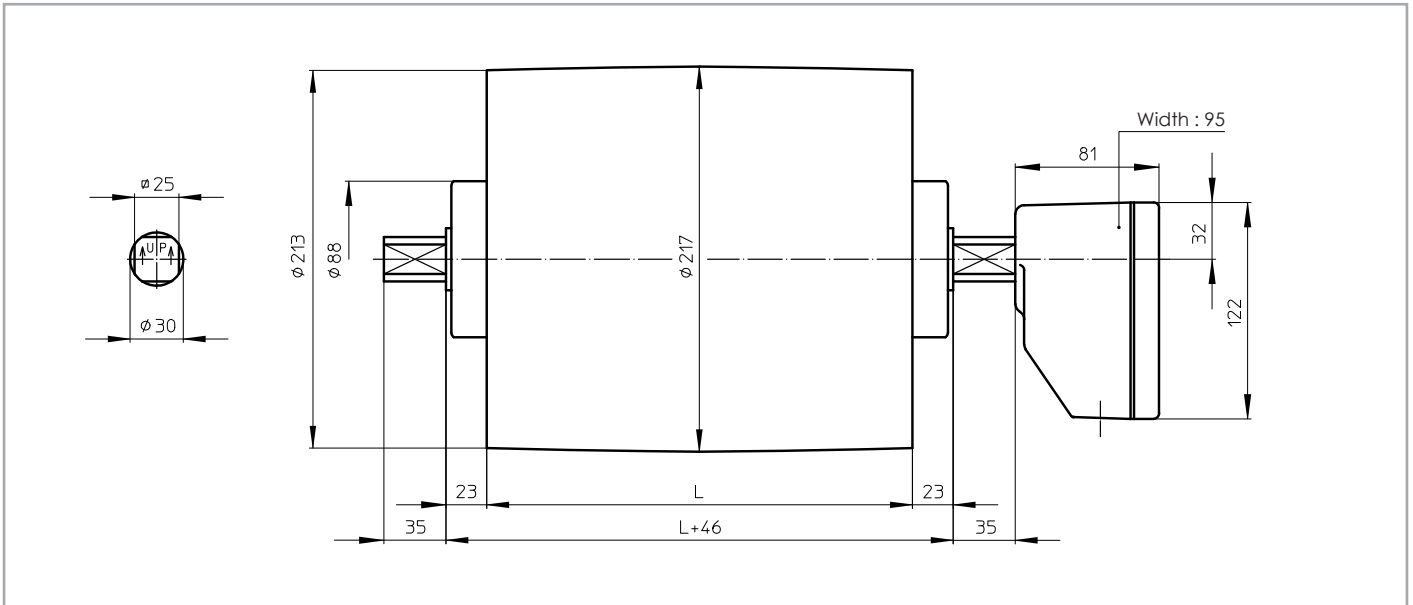
Available torque: $(\text{Beltpull N} \times \text{Drum diameter m}) / 2 \text{ Nm}$ (max. 260 Nm)



Dimensions drummotors

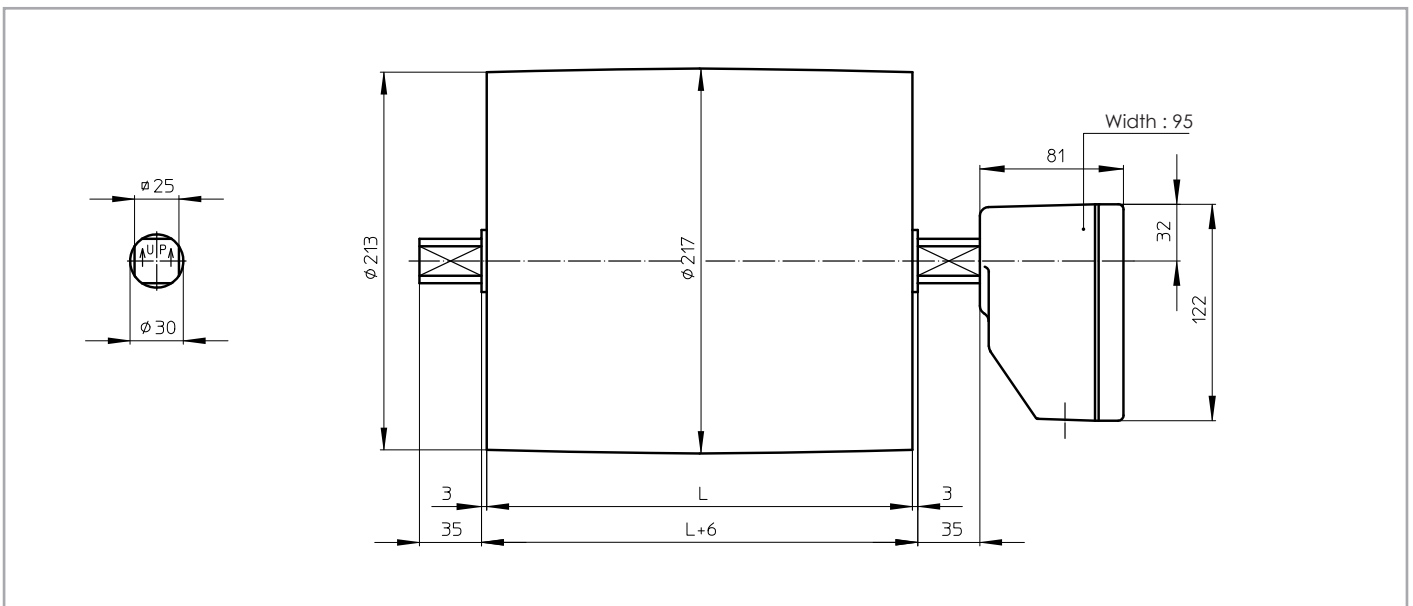
TM 215A30

TM 215A30, mildsteel drummotor with cast iron junction box



TM 215B30

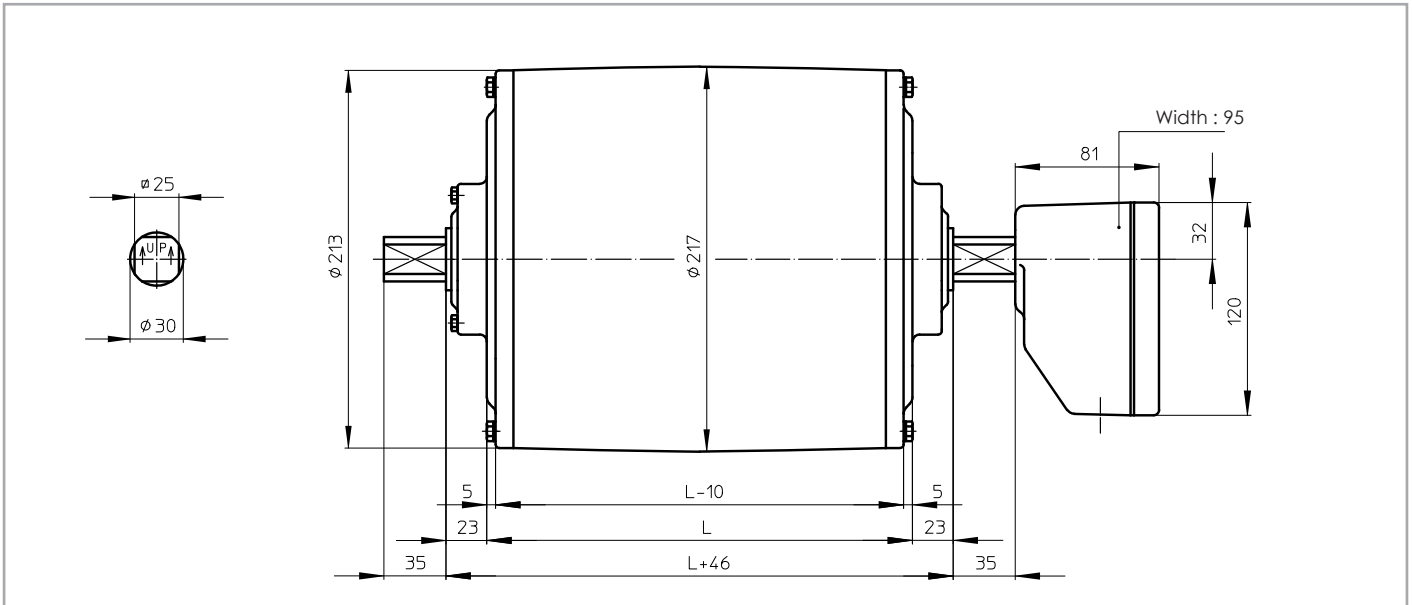
TM 215B30, mildsteel drummotor with cast iron junction box





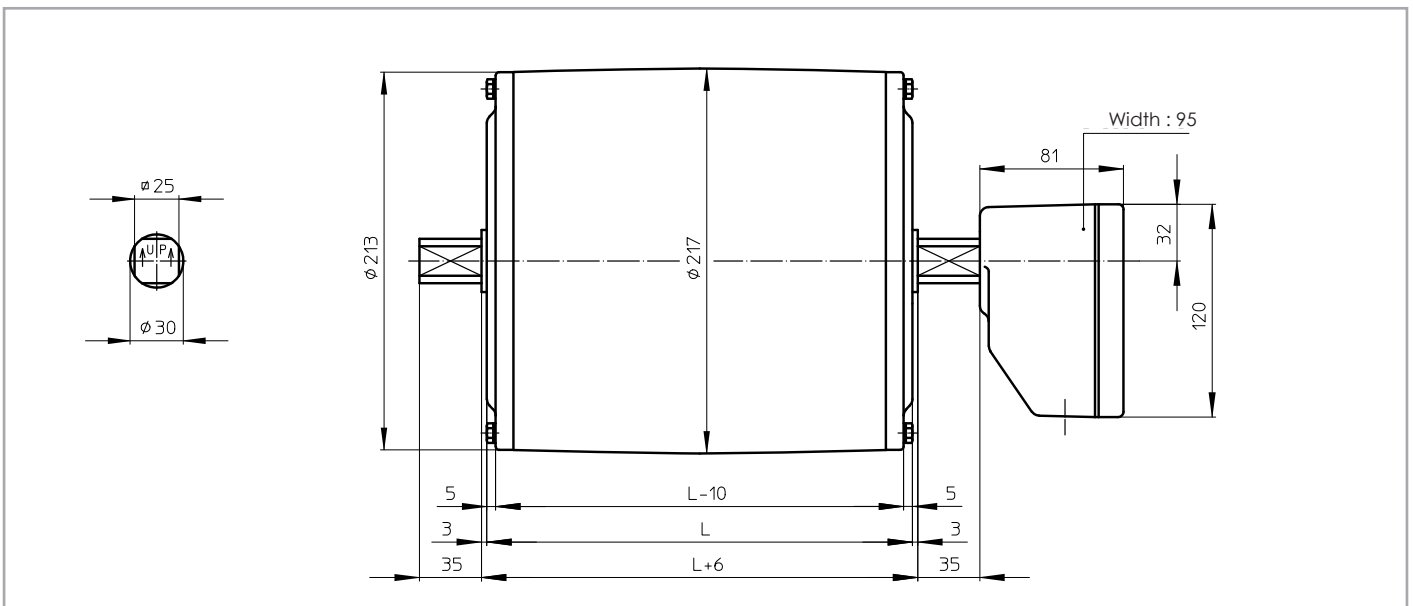
TM 215A30 CR (RVS)

TM 215A30 CR, stainless steel drummotor with polyamide junction box and CR sealing



TM 215B30 CR (RVS)

TM 215B30 CR, stainless steel drummotor with polyamide junction box and CR sealing

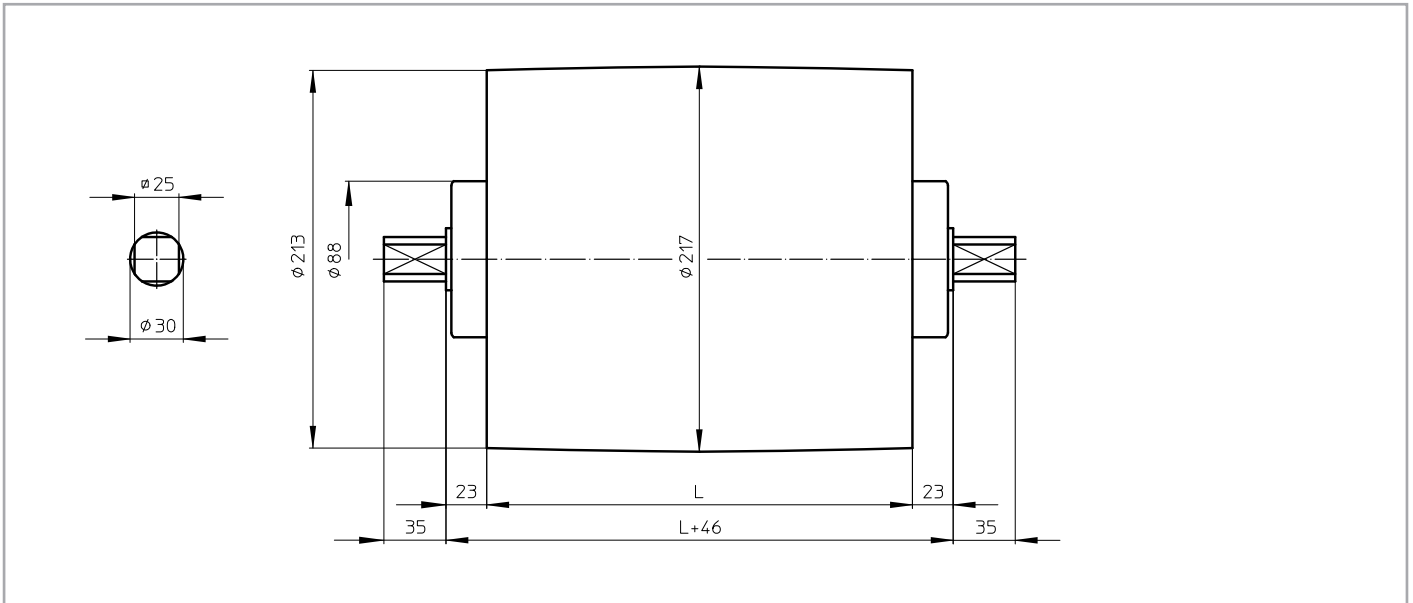




Dimensions taildrums

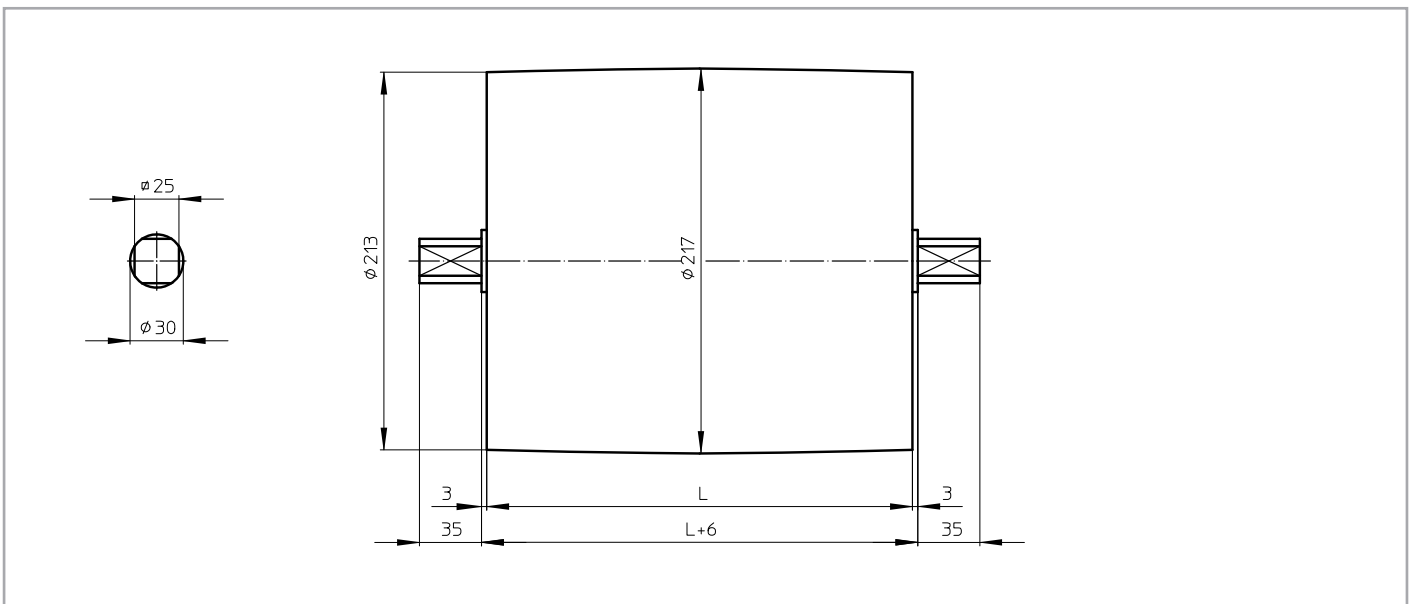
KT 215A30

KT 215A30, mildsteel taildrum



KT 215B30

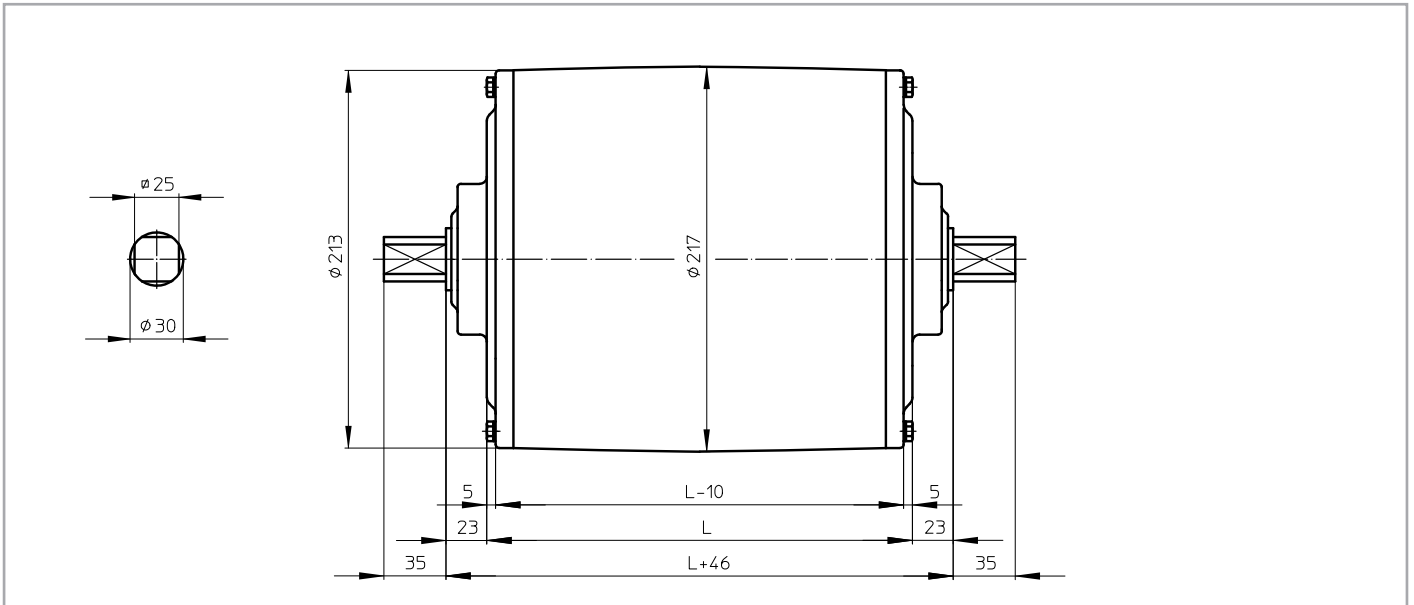
KT 215B30, mildsteel taildrum mildsteel taildrum





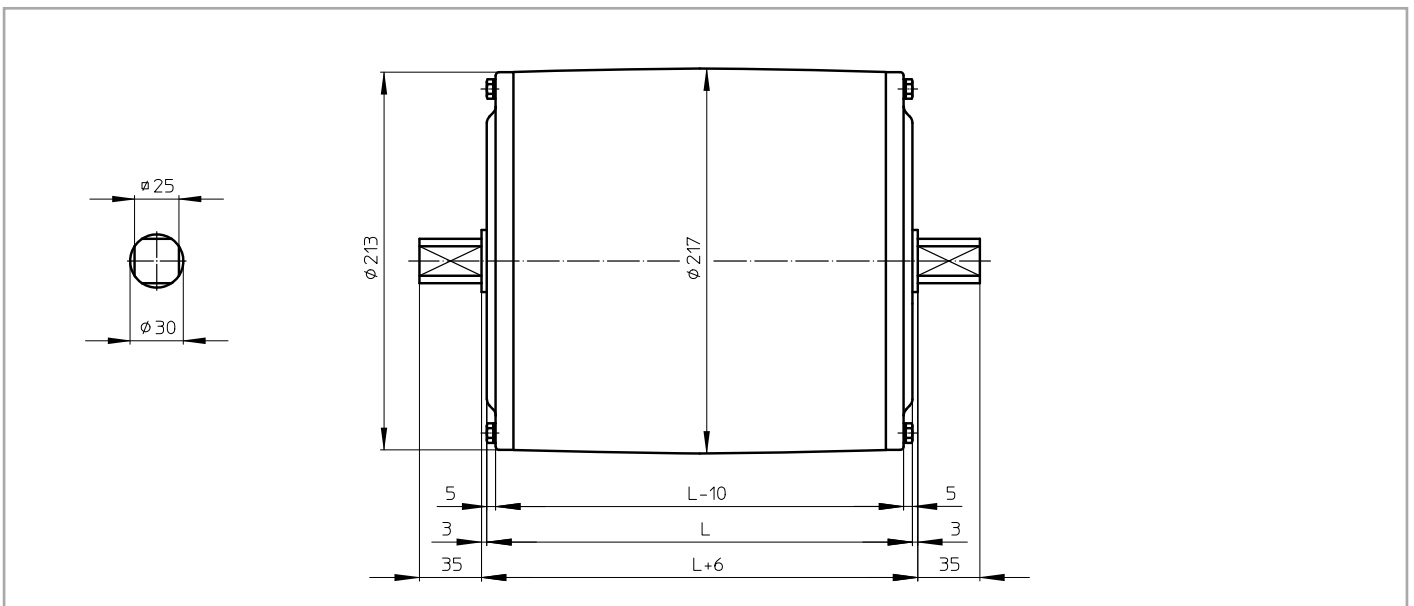
KT 215A30 CR (RVS)

KT 215A30 CR, stainless steel taildrum with CR sealing



KT 215B30 CR (RVS)

KT 215B30 CR, stainless steel taildrum with CR sealing





Cable exit

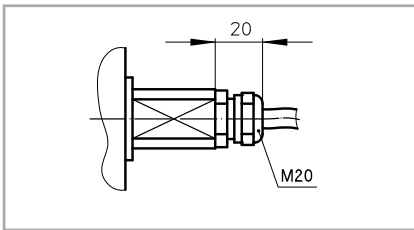
Standard execution of a TM 215-30 is with a cast iron terminal box. For stainless steel execution, this can be either a polyamide or stainless steel terminal box.

On request a drummotor can be fitted with a cable. In this case it is important to know the available voltage (preferably 1 voltage), the length of the cable, whether the cable is shielded or not and the type of cable exit.

An overview of available cable exits is shown below.

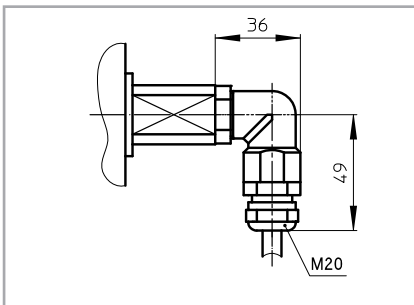
Option 1

Straight cable exit with cable gland



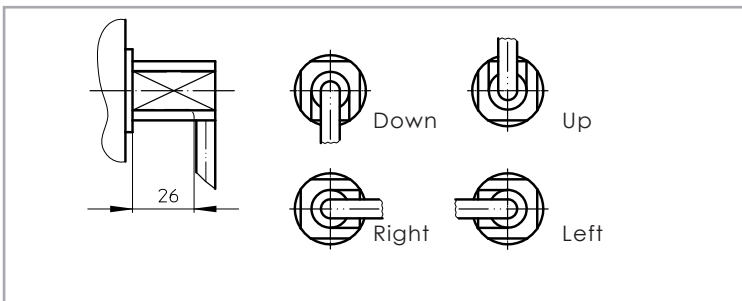
Option 3

Elbow cable exit with cable gland (minimum drumlength increases with at least 25 mm)



Option 4

Open cable exit (minimum drumlength increases with at least 25 mm)

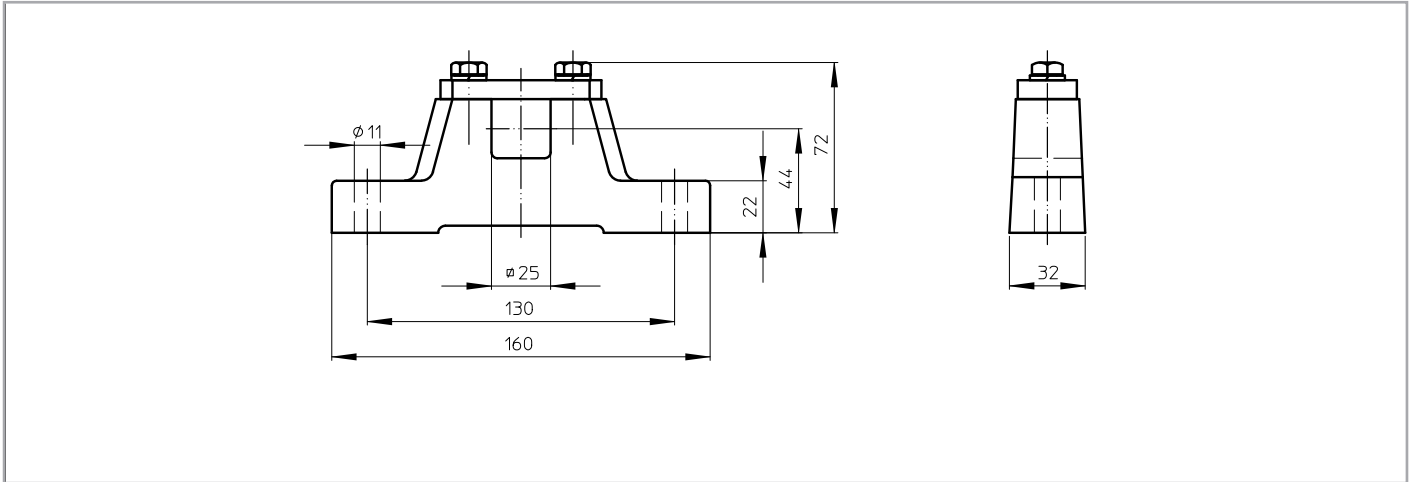




Bracket drawings

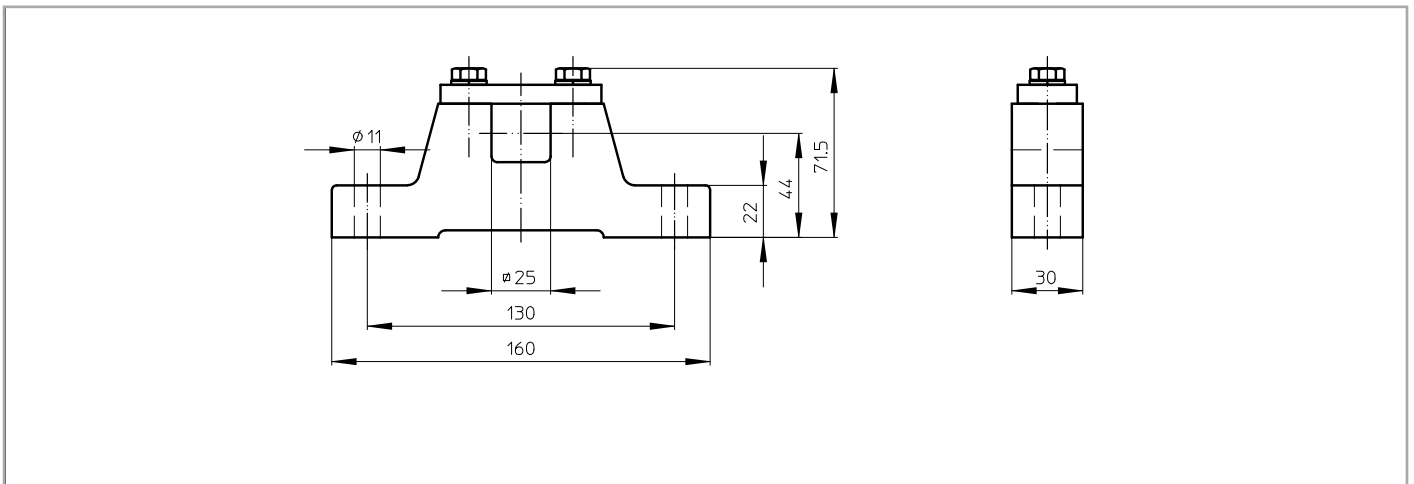
AB 30

AB 30, cast iron or steel bracket



AB 30 RVS

AB 30 RVS, stainless steel bracket





Product overview TM 215-40

TYPE TM 215.40	Power kW	Beltspeed m/s at 50 Hz Beltpull N										Min. L mm Design A	Min. L mm Design B	Full load curr. 400 V - 50 Hz I = ... A	Weight kg L=500
275	5,50	4,70	3,90	3,50	2,80	2,50						500	550	11	67
275 ZV		1100	1340	1495	1865	2090									
255	4,00	2,00	1,70	1,50	1,40	1,30	1,10					500	550	8,0	64
255 Z		2610	3075	3485	3730	4020	4750								
255 ZV		4,70	3,90	3,50	2,80	2,50									
440	3,00	810	975	1085	1355	1520						500	550	6,6	64
440 ZV		2,00	1,70	1,50	1,40	1,30	1,10	1,00	0,90						
430	2,20	2,90	2,40	2,10	1,70	1,40	1,25	1,00	0,90			425	500	4,7	61
430 ZV		720	870	995	1230	1495	1670	2090	2320						
420	1,50	0,85	0,70	0,65	0,60	0,55	0,50	0,45				425	500	3,6	59
420 ZV		2,90	2,40	2,10	1,70	1,40	1,25	1,00	0,90	0,80	0,70				
620	1,50	0,60	0,55	0,50	0,45	0,40						500	550	3,7	64
620 ZV		1,60	0,85												
415	1,10	0,36	0,34	0,31	0,28	0,26						425	500	2,9	57
415 Z		2,90	2,40	2,10	1,80	1,40	1,25	1,00	0,90	0,80	0,70				
415 ZV		360	435	500	580	745	835	1045	1160	1305	1495				
615 ZV	1,10	0,60	0,50	0,45								425	500	2,9	61
610	0,75	0,28	0,26									425	500	2,5	59
610 Z		1,40	1,20	0,90	0,85	0,65	0,60	0,50	0,45	0,40					
610 ZV		510	595	790	840	1095	1190	1425	1585	1780					
810 ZV	0,75	0,36	0,34	0,31	0,28	0,26						425	500	2,7	61
675	0,55	0,23	0,21	0,19								425	500	1,9	57
675 Z		1,40	1,20	0,90	0,85	0,65	0,60	0,50	0,45	0,40					
875 Z	0,55	0,36	0,34	0,31	0,28	0,26						425	500	2,2	59
875 ZV		375	435	580	615	805	870	1045	1160	1305					
1275 ZV	0,55	0,21	0,19									500	550	2,6	64
805	0,37	0,17	0,15	0,12								425	500	1,8	57
805 Z		1,10	0,85	0,70	0,65	0,50	0,45	0,40	0,35	0,30					
1205	0,37	0,28	0,25	0,23	0,21	0,19						425	500	2,0	61
1205 Z		0,28	0,25	0,23	0,21	0,19									
1205 ZV		1,10	0,85	0,70	0,65	0,50	0,45	0,40	0,35	0,30					

Available standard facewidth's: 425 - 450 - 500 - 550 - 600 - 650 - 700 - 750 - 800 - 850 - 900 - 950 - 1000 mm

When an electro-mechanical brake is fitted, the minimum facewidth is increased by 100 mm.

The total weight of a drummotor grows approx. 4,5 kg. per 100 mm.

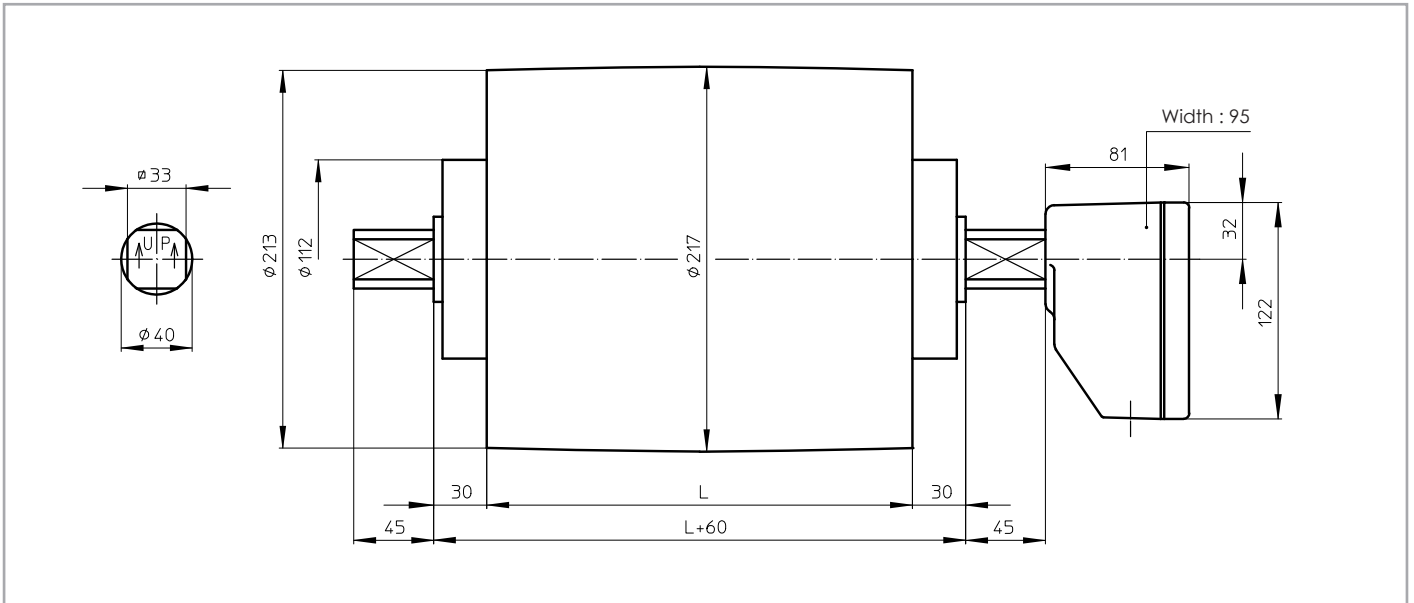
Available torque: $(\text{Beltpull N} \times \text{Drum diameter m}) / 2 \text{ Nm}$



Dimensions drummotors

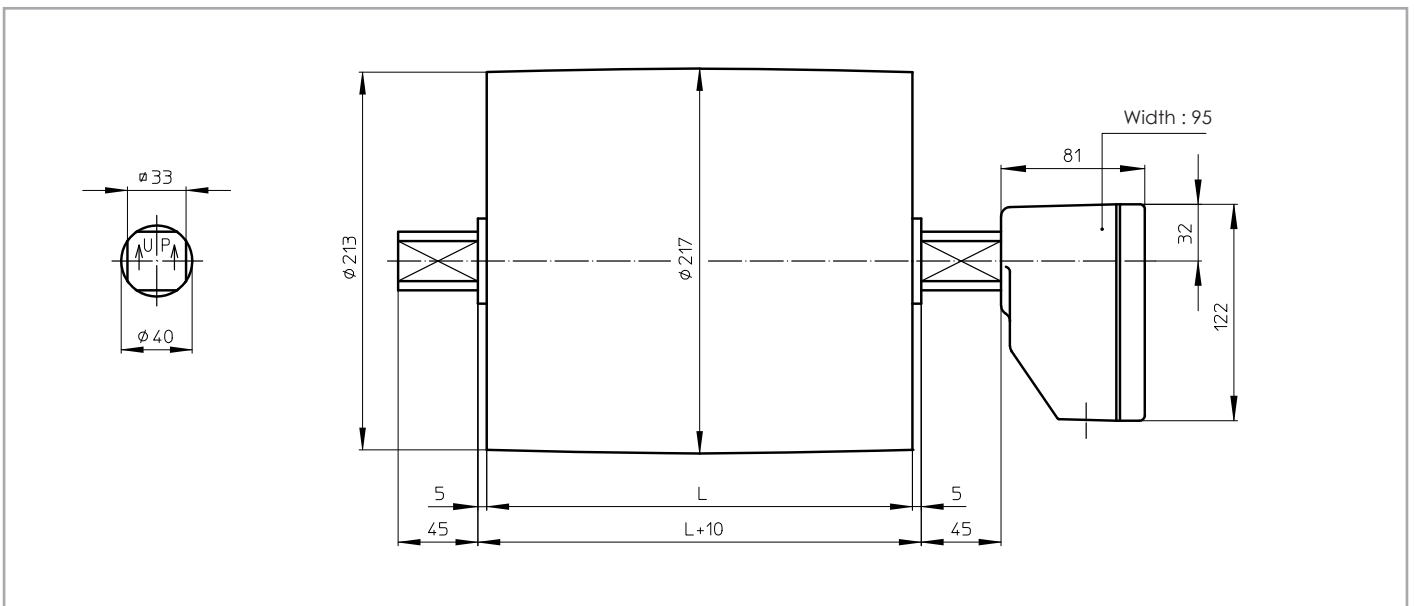
TM 215A40

TM 215A40, mildsteel drummotor with cast iron junction box



TM 215B40

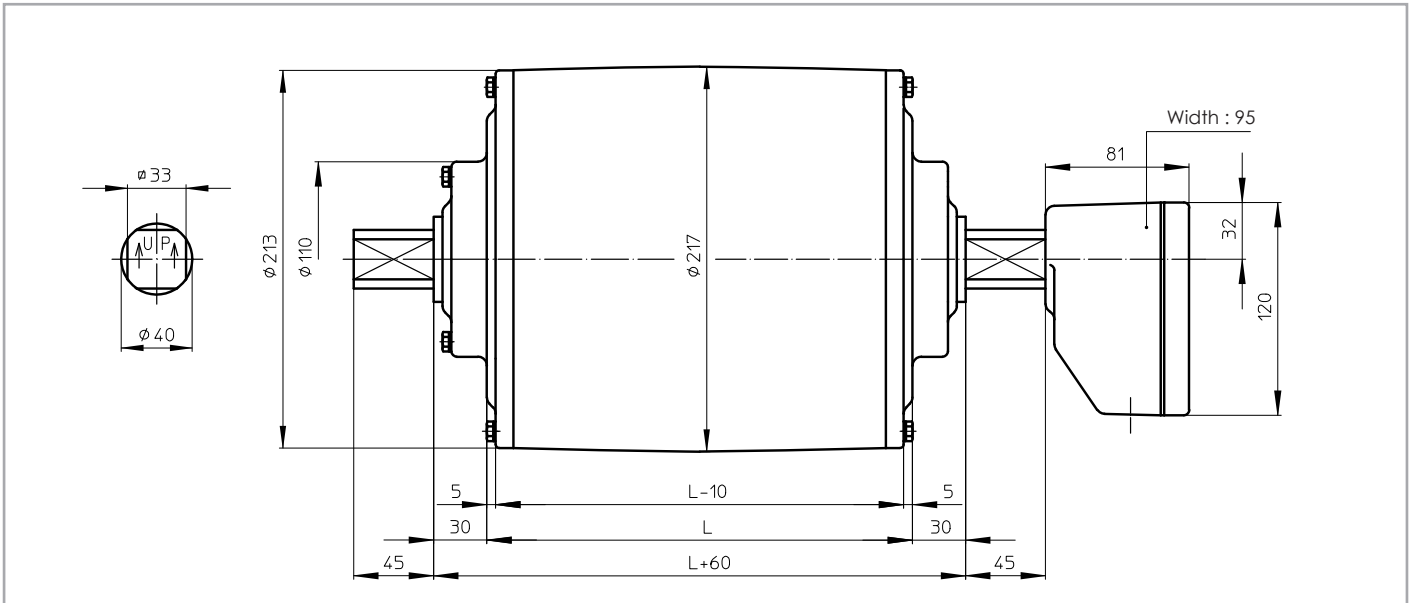
TM 215B40, mildsteel drummotor with cast iron junction box





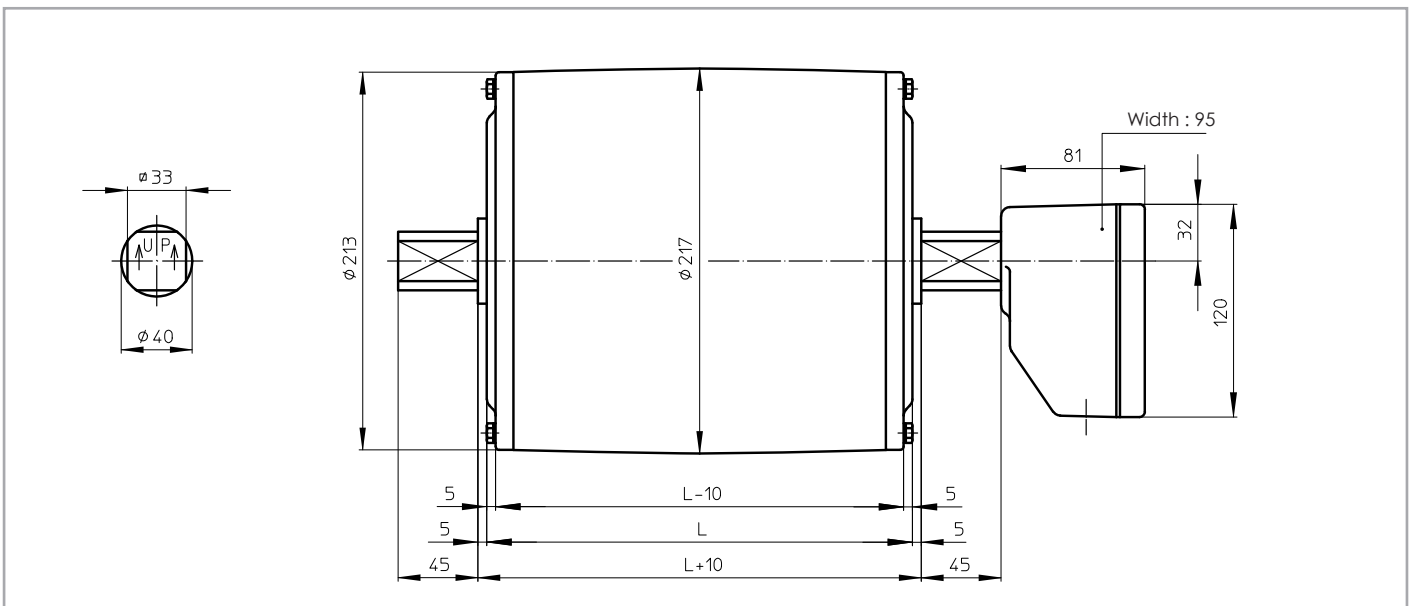
TM 215A40 CR (RVS)

TM 215A40 CR, stainless steel drummotor with polyamide junction box and CR sealing



TM 215B40 CR (RVS)

TM 215B40 CR, stainless steel drummotor with polyamide junction box and CR sealing

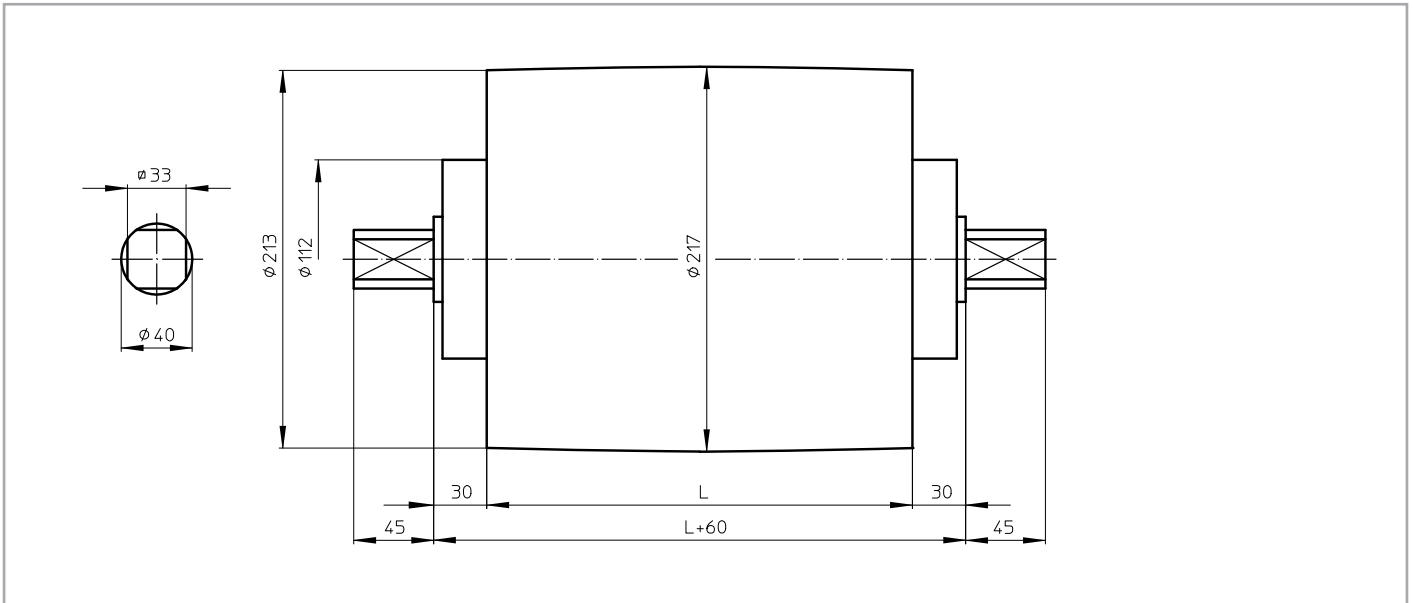




Dimensions taildrums

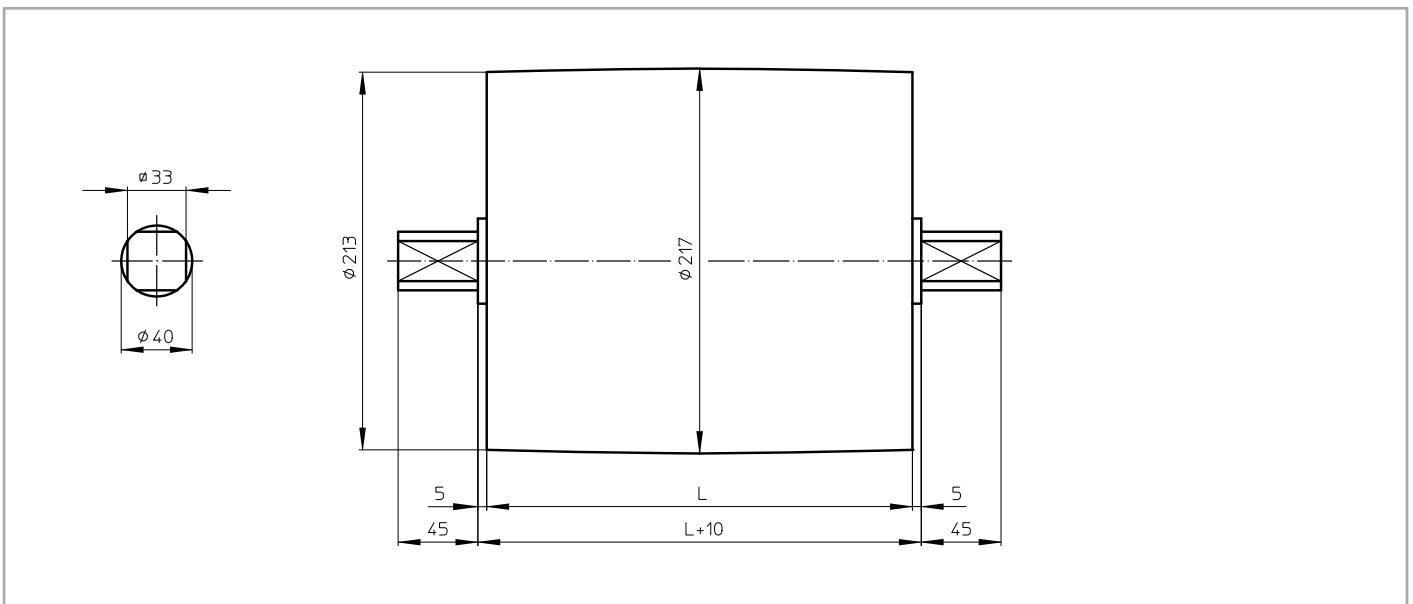
KT 215A40

KT 215A40, mildsteel taildrum



KT 215B40

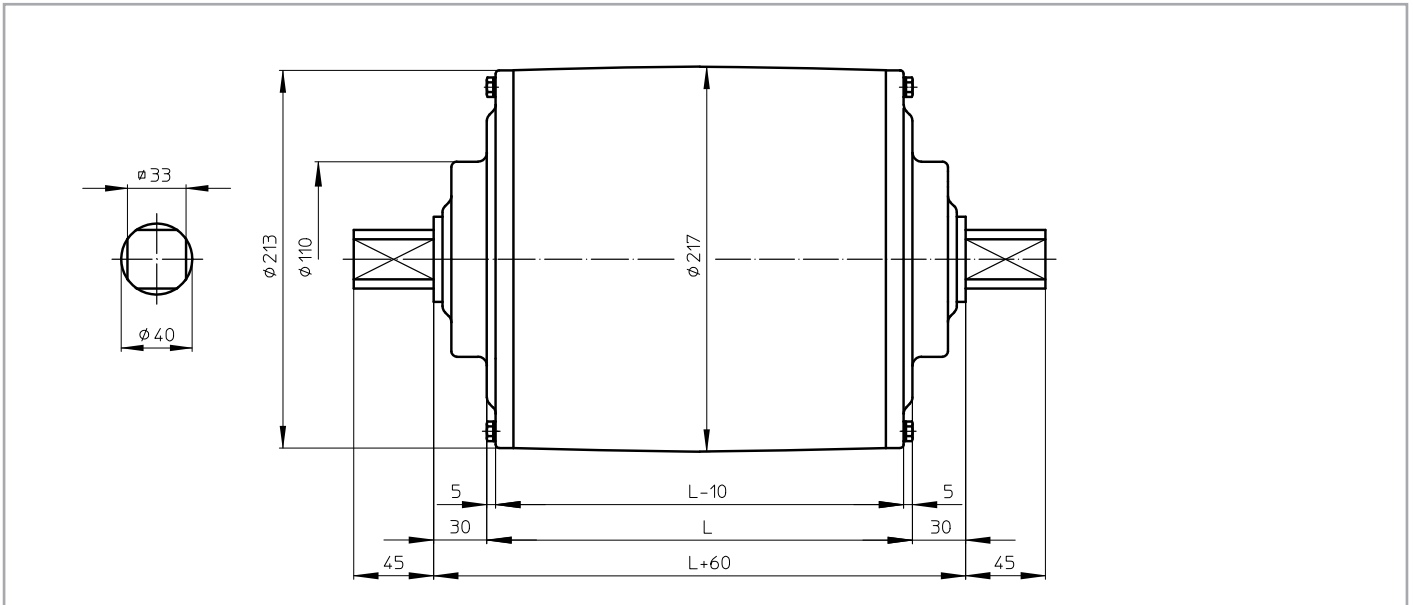
KT 215B40, mildsteel taildrum





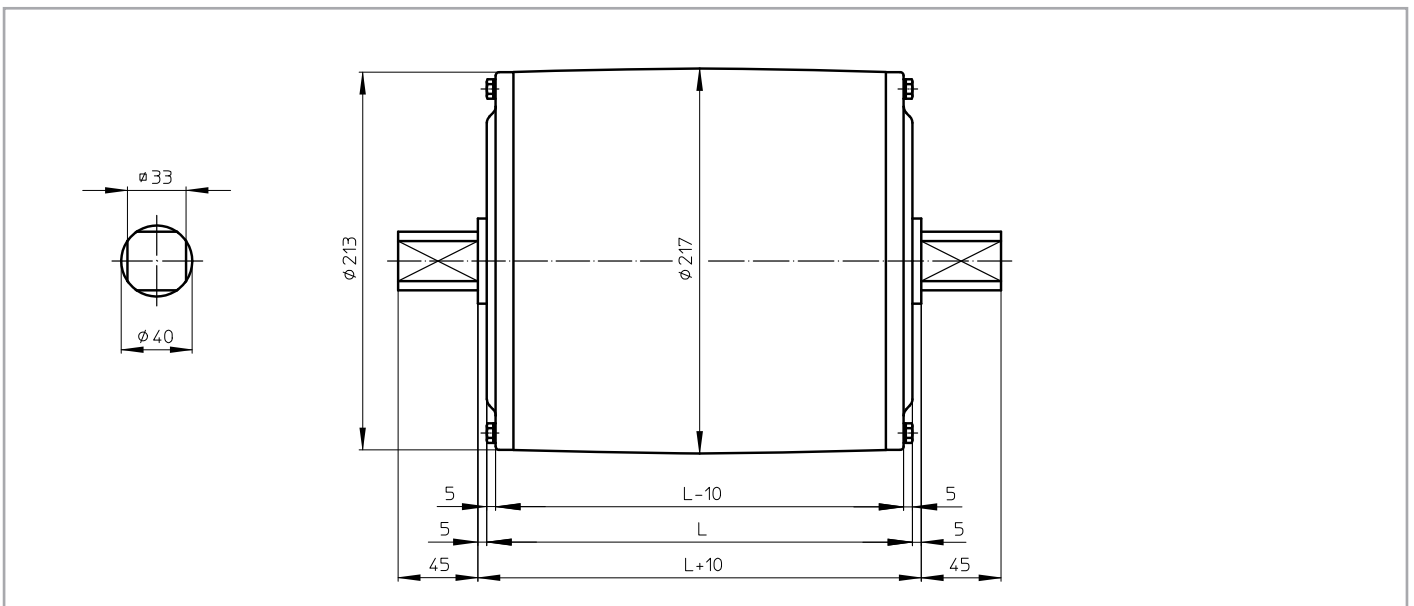
KT 215A40 CR (RVS)

KT 215A40 CR, stainless steel taildrum with CR sealing



KT 215B40 CR (RVS)

KT 215B40 CR, stainless steel taildrum with CR sealing





Cable exit

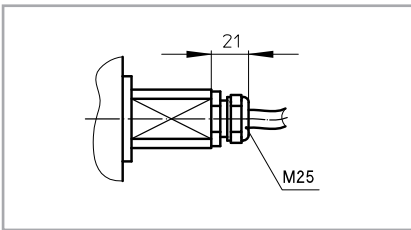
Standard execution of a TM 215-40 is with a cast iron terminal box. For stainless steel execution, this can be either a polyamide or stainless steel terminal box.

On request a drummotor can be fitted with a cable. In this case it is important to know the available voltage (preferably 1 voltage), the length of the cable, whether the cable is shielded or not and the type of cable exit.

An overview of available cable exits is shown below.

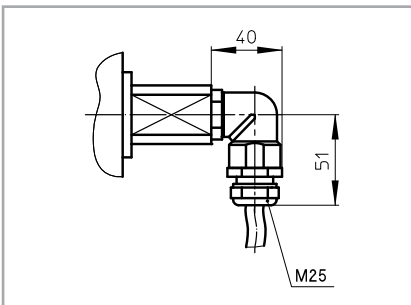
Option 1

Straight cable exit with cable gland



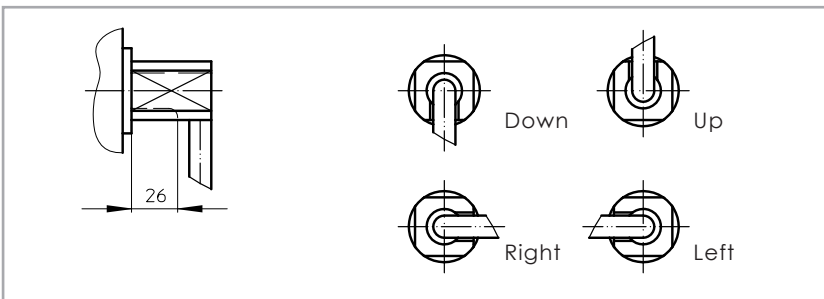
Option 3

Elbow cable exit with cable gland (minimum drumlength increases with at least 50 mm)



Option 4

Open cable exit (minimum drumlength increases with at least 50 mm)

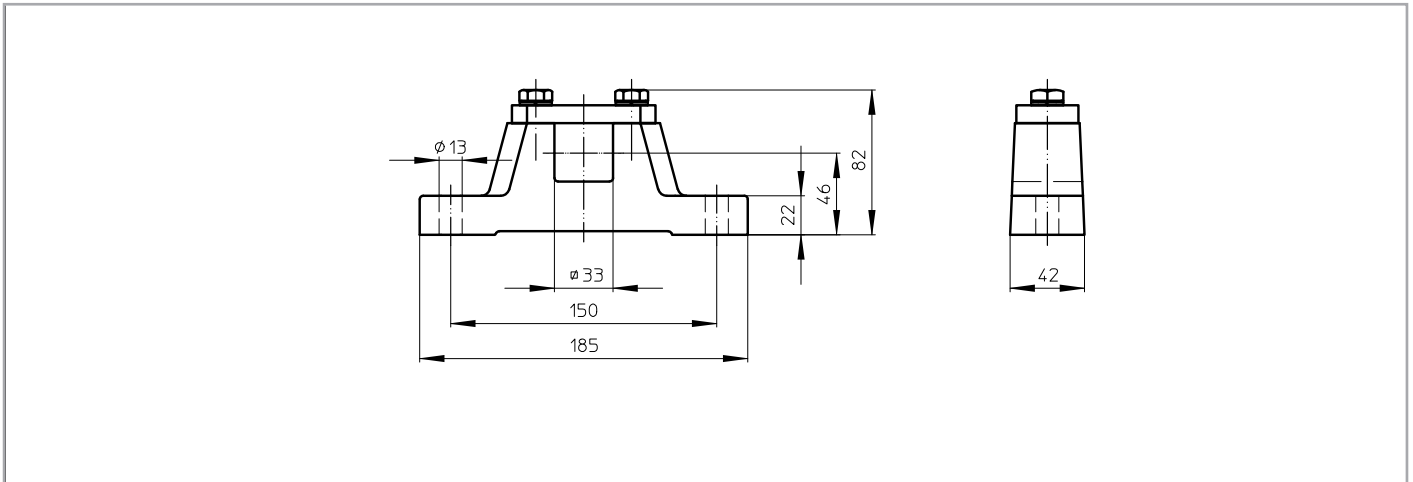




Bracket drawings

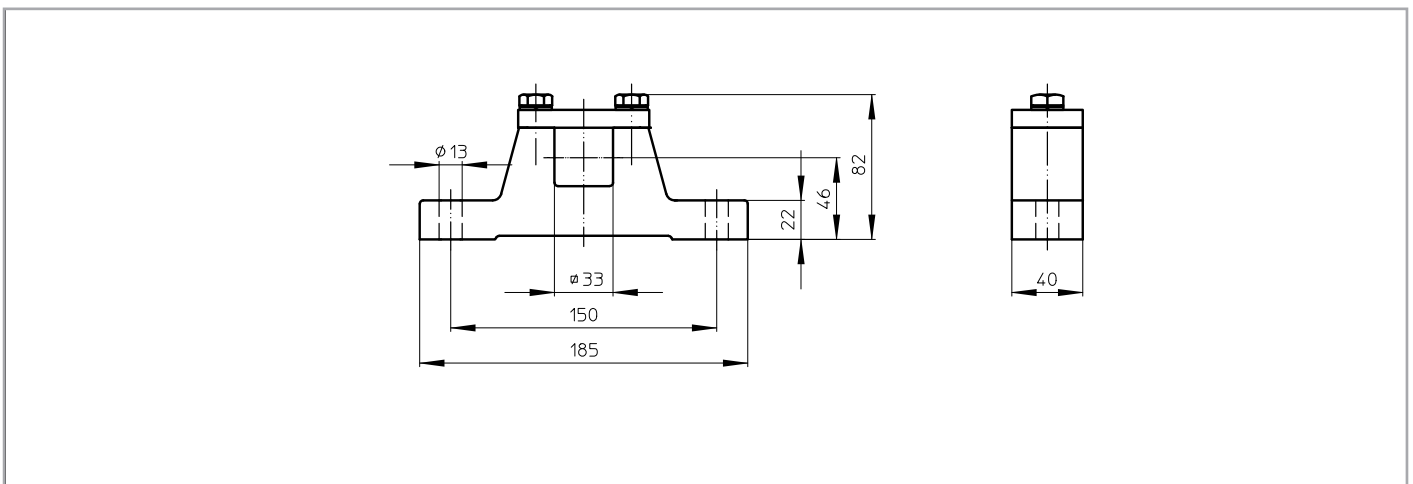
AB 40

AB 40, cast iron or steel bracket



AB 40 RVS

AB 40 RVS, stainless steel bracket





Product overview TM 215B50

TYPE TM 215B50	Power kW	Beltspeed m/s at 50 Hz Beltpull N		Min. L mm Design B	Full load curr. 400 V - 50 Hz I = ... A	Weight kg L=600
455 PL2	4,0	0,31 11870	0,28 13140	600	8,8	105
440 PL2	3,0	0,31 8900	0,28 9855	600	6,6	105
630 PL2	2,2	0,20 10120	0,18 11240	600	5,5	105
620 PL2	1,5	0,20 6900	0,18 7665	600	3,7	105

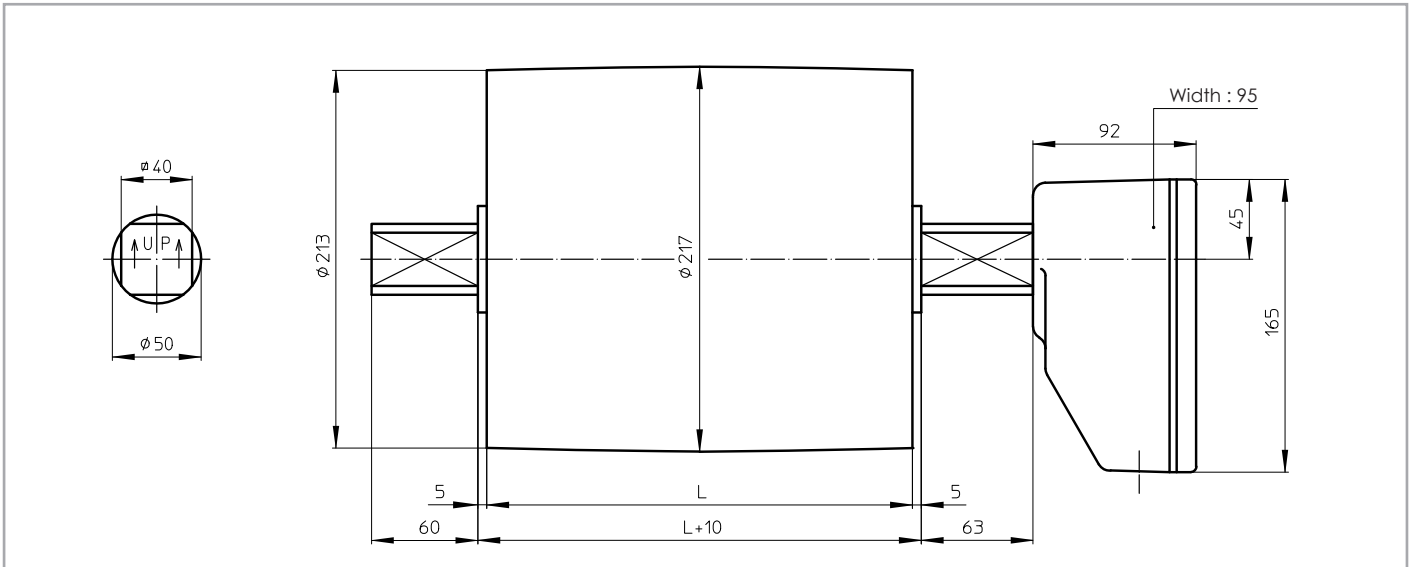
Available standard facewidth's: 600 - 650 - 700 - 750 - 800 - 850 - 900 - 950 - 1000 mm
When an electro-mechanical brake is fitted, the minimum facewidth is increased by 100 mm.
The total weight of a drummotor grows approx. 5 kg. per 100 mm.
Available torque: $(\text{Beltpull N} \times \text{Drum diameter m}) / 2 \text{ Nm}$



Dimensions

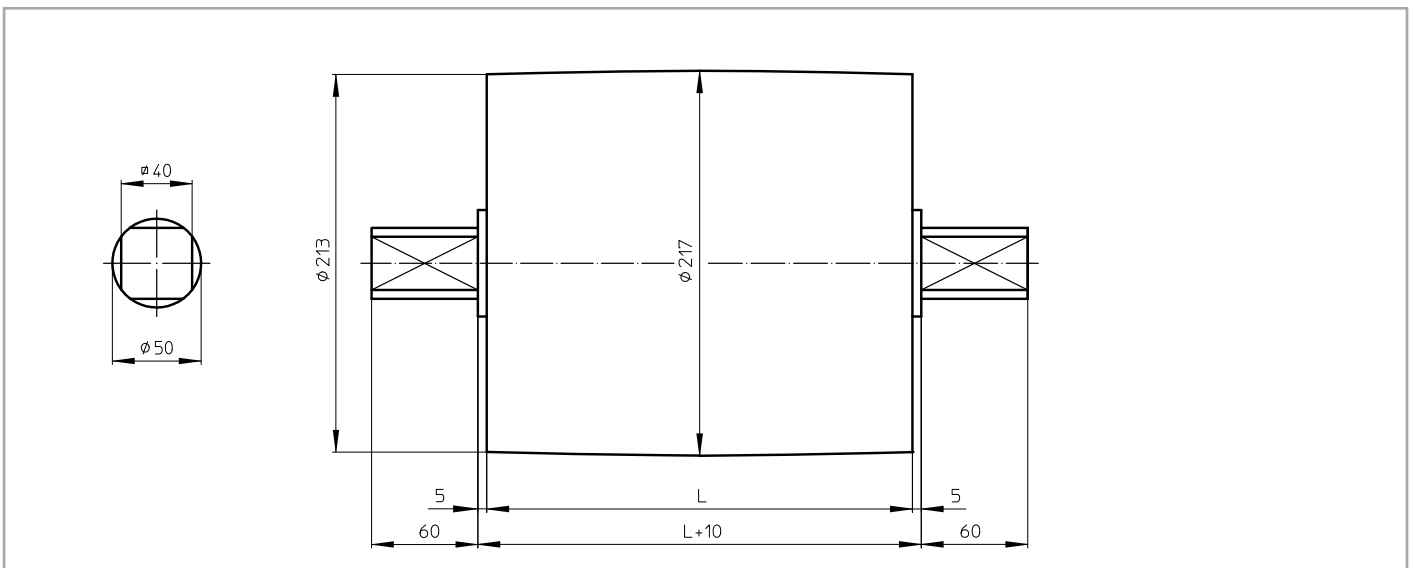
TM 215B50

TM 215B50, mildsteel drummotor with cast iron junction box



KT 215B50

KT 215B50, mildsteel taildrum





Cable exit

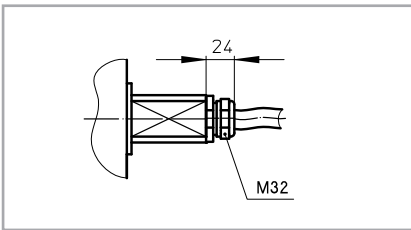
Standard execution of a TM 215B50 is with a cast iron terminal box. For stainless steel execution, this can be either a polyamide or stainless steel terminal box.

On request a drummotor can be fitted with a cable. In this case it is important to know the available voltage (preferably 1 voltage), the length of the cable, whether the cable is shielded or not and the type of cable exit.

An overview of available cable exits is shown below.

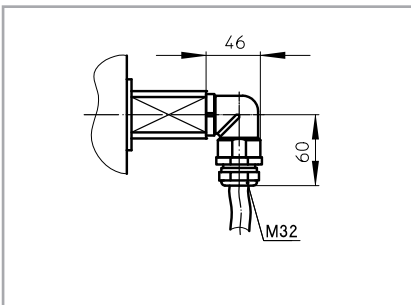
Option 1

Straight cable exit with cable gland



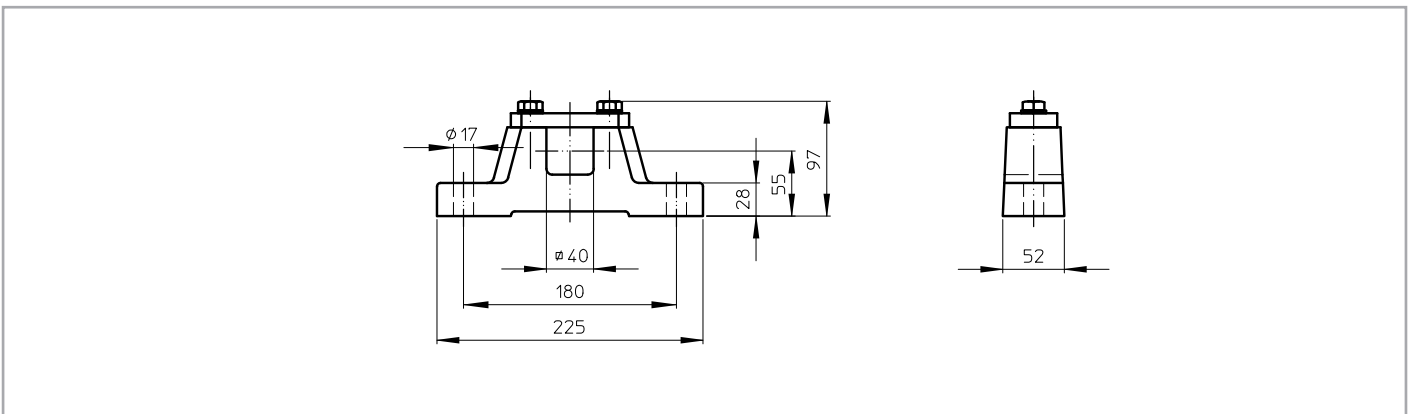
Option 3

Elbow cable exit with cable gland (minimum drumlength increases with at least 50 mm)



AB 50

AB 50, cast iron or steel bracket





Product overview TM 273-40

TYPE TM 273.40	Power kW	Beltspeed m/s at 50 Hz Beltpull N										Min. L mm Design A	Min. L mm Design B	Full load curr. 400 V - 50 Hz I = ... A	Weight kg L=600
275	5,50	4,95	4,45	3,55	3,15							500	550	11,0	90
275 Z		1055	1175	1470	1655										
275 ZV		2,20	1,95	1,80	1,70	1,40	1,30	1,20							
		2390	2695	2885	3110	3785	4055	4375							
255	4,00	4,95	4,45	3,55	3,15						500	550	8,0	85	
255 Z		770	855	1070	1205										
255 ZV		2,50	2,20	1,95	1,80	1,70									
		1510	1740	1960	2100	2265									
		1,40	1,30	1,20											
		2755	2950	3185											
440	3,00	3,70	3,05	2,50	2,25	1,80	1,60				500	550	6,6	85	
440 Z		775	940	1150	1280	1600	1800								
440 ZV		1,25													
		2255													
		1,10	1,00	0,90	0,85										
		2600	2930	3135	3385										
430	2,20	3,70	3,05	2,60	2,15	1,75	1,60	1,25	1,15		500	500	4,7	85	
430 Z		565	690	800	970	1185	1320	1650	1860						
430 ZV		1,05	0,90												
		1935	2350												
		0,85	0,75	0,70	0,65	0,60									
		2530	2745	3020	3235	3490									
420	1,50	3,70	3,05	2,60	2,15	1,75	1,60	1,25	1,15	1,00	0,85	500	500	3,6	80
420 Z		385	470	545	660	810	900	1125	1265	1440	1645				
420 ZV		0,75	0,70	0,65											
		1870	2060	2205											
		0,60	0,50												
		2380	2865												
620 ZV	1,50	0,46	0,43	0,40	0,36						500	550	3,7	85	
		3100	3320	3585	3910										
415	1,10	3,70	3,05	2,60	2,15	1,75	1,60	1,25	1,10	1,00	0,85	500	500	2,9	75
415 Z		285	345	400	485	595	660	825	930	1055	1210				
415 ZV		0,75	0,65	0,60	0,50										
		1400	1615	1745	2100										
		0,70													
		1510													
615 Z	1,10	0,46									500	500	2,9	80	
615 ZV		2275													
		0,43	0,40	0,36	0,33										
		2435	2630	2865	3160										
610	0,75	1,75	1,45	1,15	1,05	0,85	0,75	0,65	0,55	0,50	500	500	2,5	80	
610 Z		410	495	610	675	845	955	1080	1240	1435					
		0,46	0,43	0,40	0,36	0,33									
		1550	1660	1790	2005	2155									
810 ZV	0,75	0,30	0,27	0,25							500	500	2,7	80	
		2400	2615	2885											
675	0,55	1,75	1,45	1,15	1,05	0,85	0,75	0,65	0,55	0,50	500	500	1,9	75	
675 Z		300	365	445	495	620	700	795	910	1055					
		0,46	0,43	0,40	0,36	0,33									
		1135	1215	1315	1470	1580									
875 Z	0,55	0,30	0,27	0,25							500	500	2,2	80	
		1760	1915	2115											
1275 ZV	0,55	0,22	0,20	0,17							500	550	2,6	85	
		2420	2600	3130											
805	0,37	1,30	1,10	0,90	0,80	0,65	0,55	0,50	0,45	0,40	500	500	1,8	75	
805 Z		265	325	395	440	550	620	705	805	935					
		0,35	0,33	0,30	0,27	0,25									
		1010	1080	1165	1320	1405									
1205	0,37	0,70									500	500	2,0	80	
1205 Z		510													
		0,22	0,19	0,16											
		1595	1845	2220											

Available standard facewidth's: 500 - 550 - 600 - 650 - 700 - 750 - 800 - 850 - 900 - 950 - 1000 - 1050 - 1100 - 1150 mm

When an electro-mechanical brake is fitted, the minimum facewidth is increased by 100 mm.

The total weight of a drummotor grows approx. 6 kg. per 100 mm.

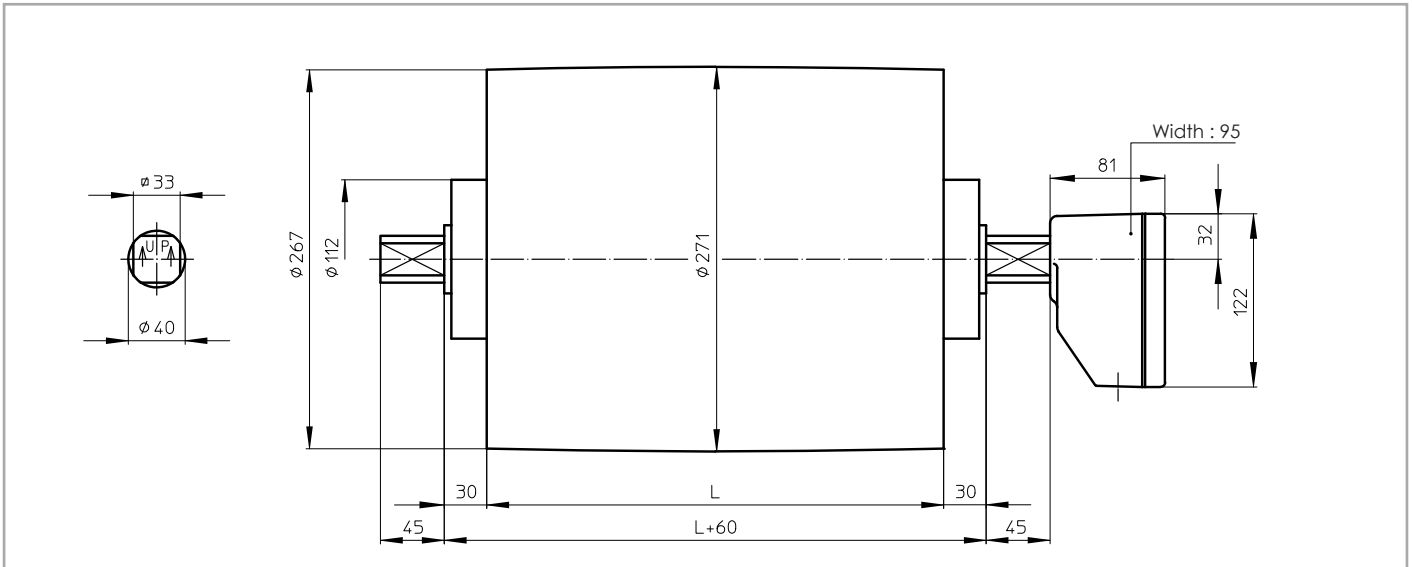
Available torque: $(\text{Beltpull N} \times \text{Drum diameter m}) / 2 \text{ Nm}$



Dimensions drummotors

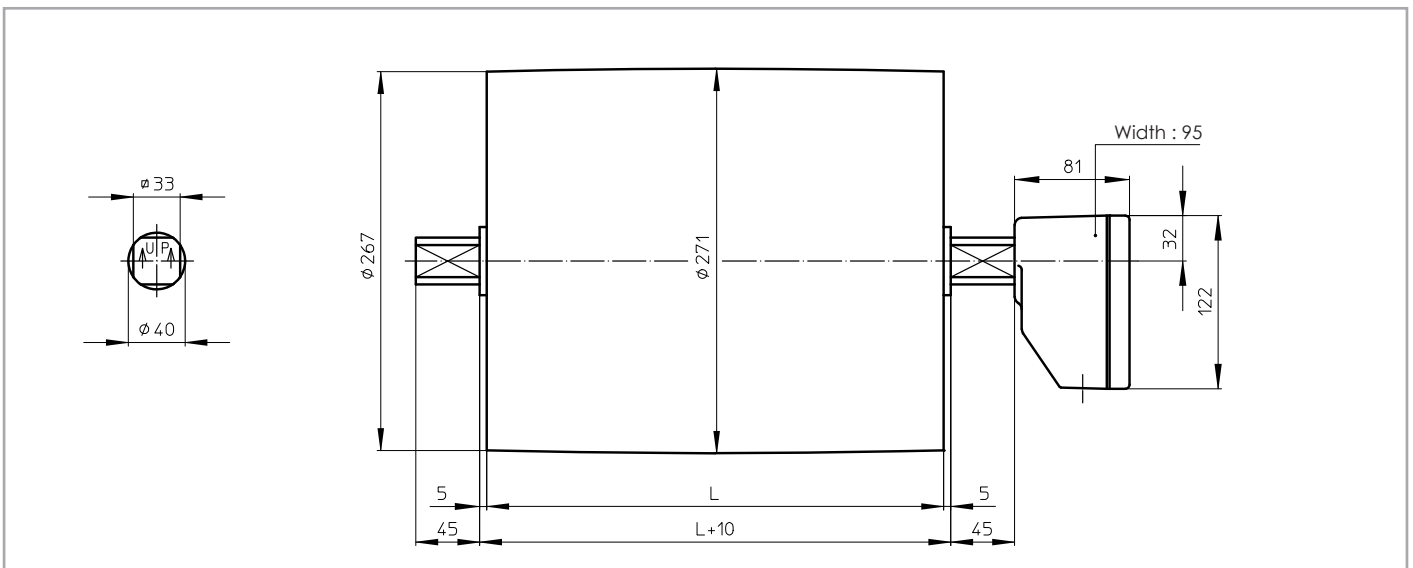
TM 273A40

TM 273A40, mildsteel drummotor with cast iron junction box



TM 273B40

TM 273B40, mildsteel drummotor with cast iron junction box

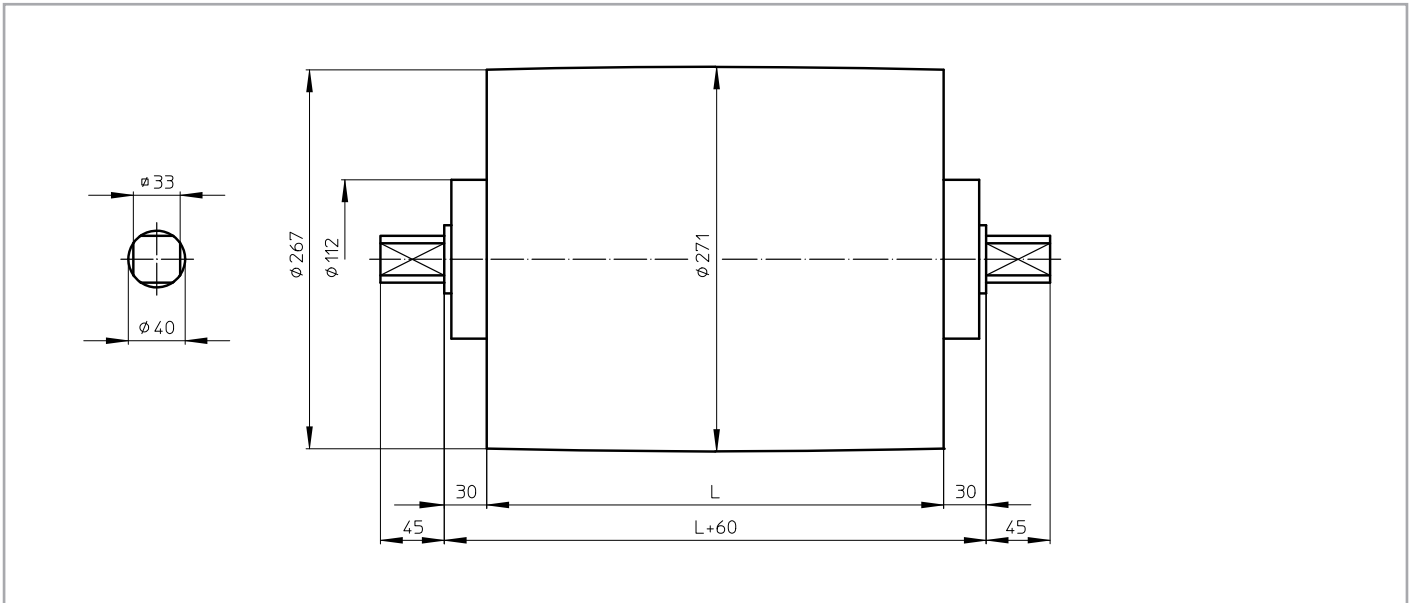




Dimensions taildrums

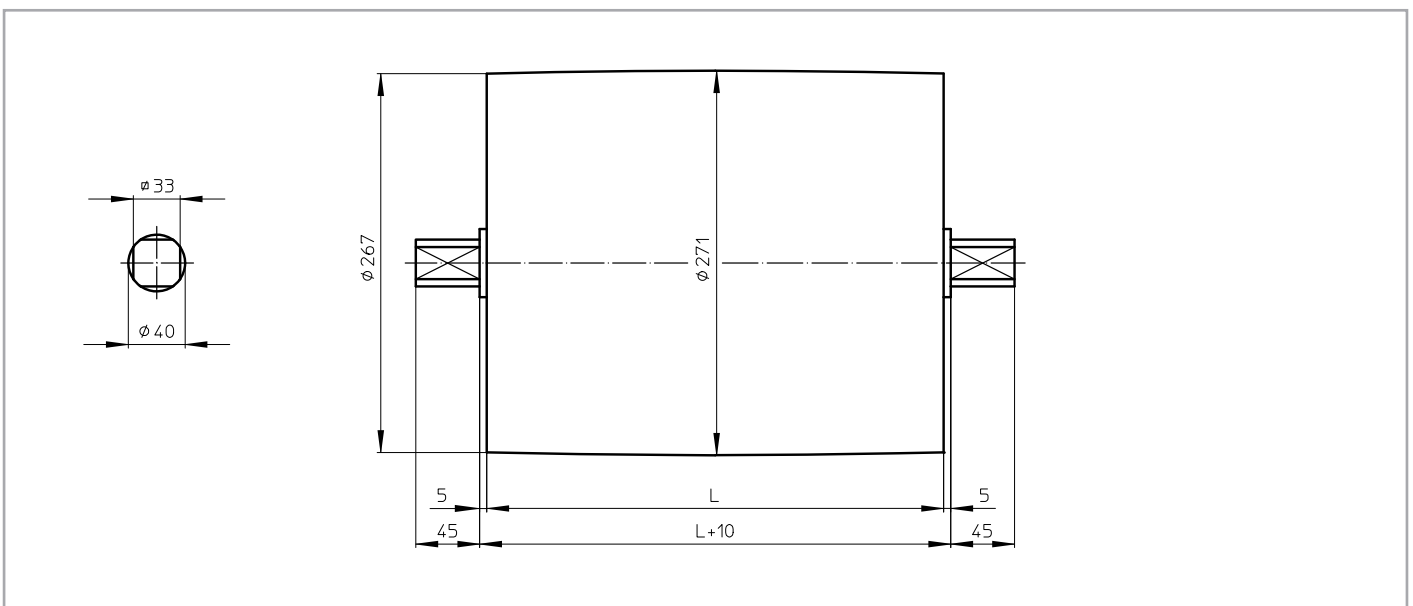
KT 273A40

KT 273A40, mildsteel taildrum



KT 273B40

KT 273B40, mildsteel taildrum





Cable exit

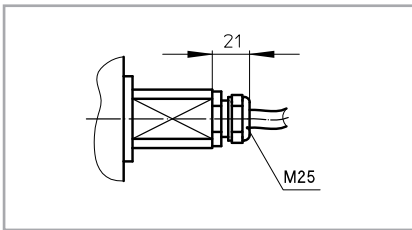
Standard execution of a TM 273-40 is with a cast iron terminal box. For stainless steel execution, this can be either a polyamide or stainless steel terminal box.

On request a drummotor can be fitted with a cable. In this case it is important to know the available voltage (preferably 1 voltage), the length of the cable, whether the cable is shielded or not and the type of cable exit.

An overview of available cable exits is shown below.

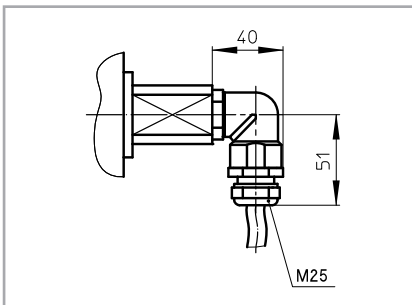
Option 1

Straight cable exit with cable gland



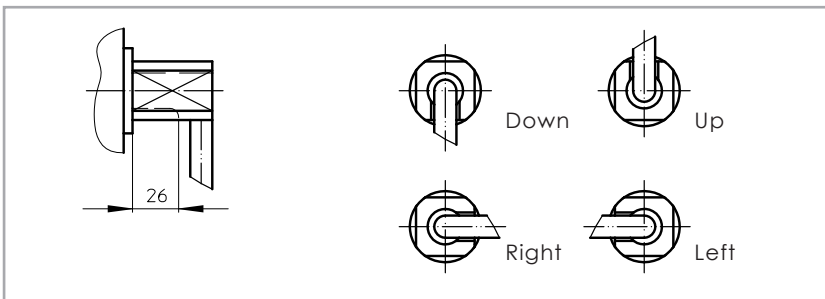
Option 3

Elbow cable exit with cable gland (minimum drumlength increases with at least 50 mm)



Option 4

Open cable exit (minimum drumlength increases with at least 50 mm)

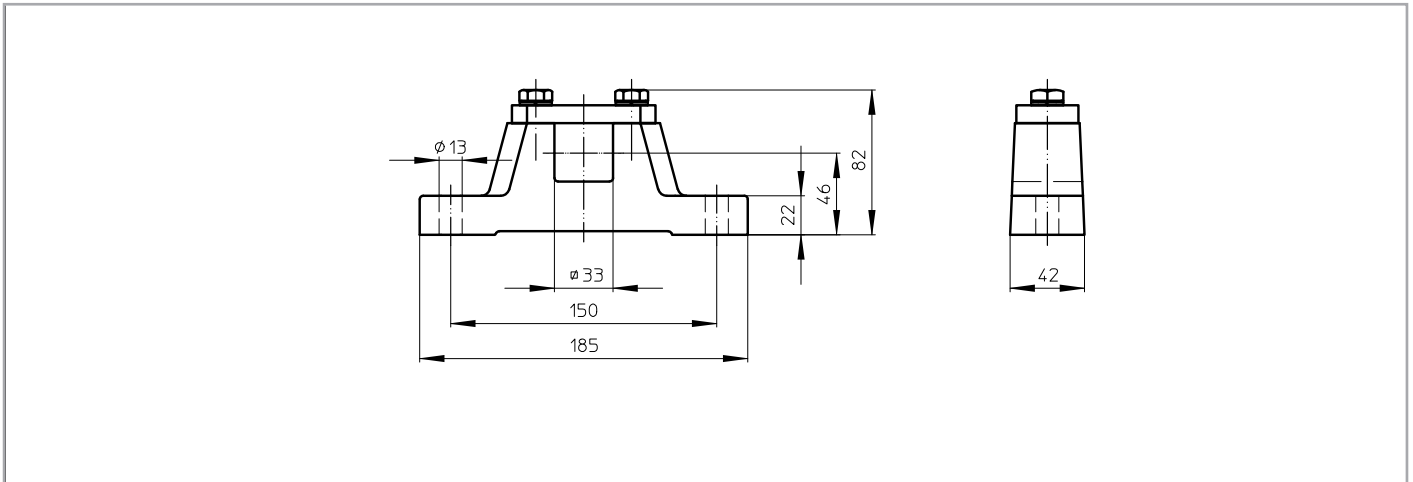




Bracket drawings

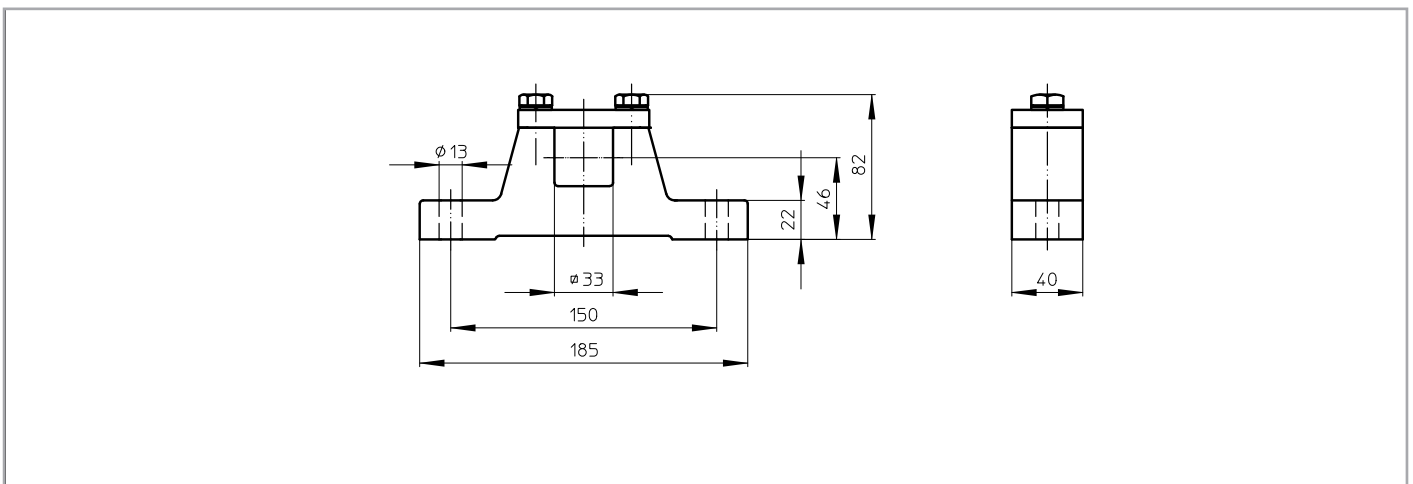
AB 40

AB 40, cast iron or steel bracket



AB 40 RVS

AB 40 RVS, stainless steel bracket





Product overview TM 315-40

TYPE TM 315.40	Power kW	Beltspeed m/s at 50 Hz Beltpull N										Min. L mm Design A	Min. L mm Design B	Full load curr. 400 V - 50 Hz I = ... A	Weight kg L=600				
275	5,50	5,20	4,10	3,70								500	550	11,0	115				
275 Z		1005	1275	1410	3,00	2,50	2,30	2,10											
275 ZV		1740	2090	2270	2490	1,90	1,60	1,50	1,40	1,30	4020								
255	4,00	5,20	4,10	3,70								500	550	8,0	110				
255 Z		730	925	1025	3,00	2,50	2,30	2,10	1,90	1,60									
255 ZV		1265	1520	1650	1810	2000	2375	1,50	1,40	1,30									
440	3,00	4,30	3,50	2,90	2,60	2,10	1,80					500	550	6,6	110				
440 Z		665	815	985	1095	1355	1585	1,50	1,30										
440 ZV		1900	2190			1,10	0,95												
430	2,20	4,30	3,50	3,00	2,50	2,10	1,80	1,50	1,30			500	500	4,7	110				
430 Z		485	595	695	835	995	1160	1395	1610										
430 ZV		2090	2320	0,80	0,75	0,70	0,65												
420	1,50	4,30	3,50	3,00	2,50	2,10	1,80	1,50	1,30	1,10	1,00	500	500	3,6	105				
420 Z		330	405	475	570	680	790	950	1095	1295	1425								
620 ZV	1,50	0,90	0,80	0,75	0,70	0,65	0,60					500	550	3,7	110				
415	1,10	0,55	0,50	0,45	0,40								500	500	2,9	100			
415 Z		2590	2850	3165	3565	4,30	3,50	3,00	2,50	2,10	1,80	1,50					1,30	1,10	1,00
615 Z		1900	2090	2320															
615 ZV	1,10	0,40	2615								500	500	2,9	105					



TYPE TM 315.40	Power kW	Beltspeed m/s at 50 Hz Beltpull N									Min. L mm Design A	Min. L mm Design B	Full load curr. 400 V - 50 Hz I = ... A	Weight kg L=600
610 610 Z	0,75	2,10 340	1,70 420	1,40 510	1,25 570	1,00 715	0,90 790	0,75 950	0,70 1015	0,60 1190	500	500	2,5	105
810 Z 810 ZV	0,75	0,34 2095	0,31 2300								500	500	2,7	105
675 675 Z	0,55	2,10 250	1,70 305	1,40 375	1,25 420	1,00 525	0,90 580	0,75 695	0,70 745	0,60 870	500	500	1,9	100
875 Z	0,55	0,34 1535	0,31 1685	0,28 1865							500	500	2,2	105
1275 Z 1275 ZV	0,55	0,25 2090	0,22 2375								500	550	2,6	110
805 805 Z	0,37	1,50 235	1,25 280	1,00 350	0,95 370	0,75 470	0,65 540	0,60 585	0,50 705	0,45 780	500	500	1,8	100
1205 1205 Z	0,37	0,80 440									500	500	2,0	105
		0,25 1405	0,22 1600	0,18 1955										

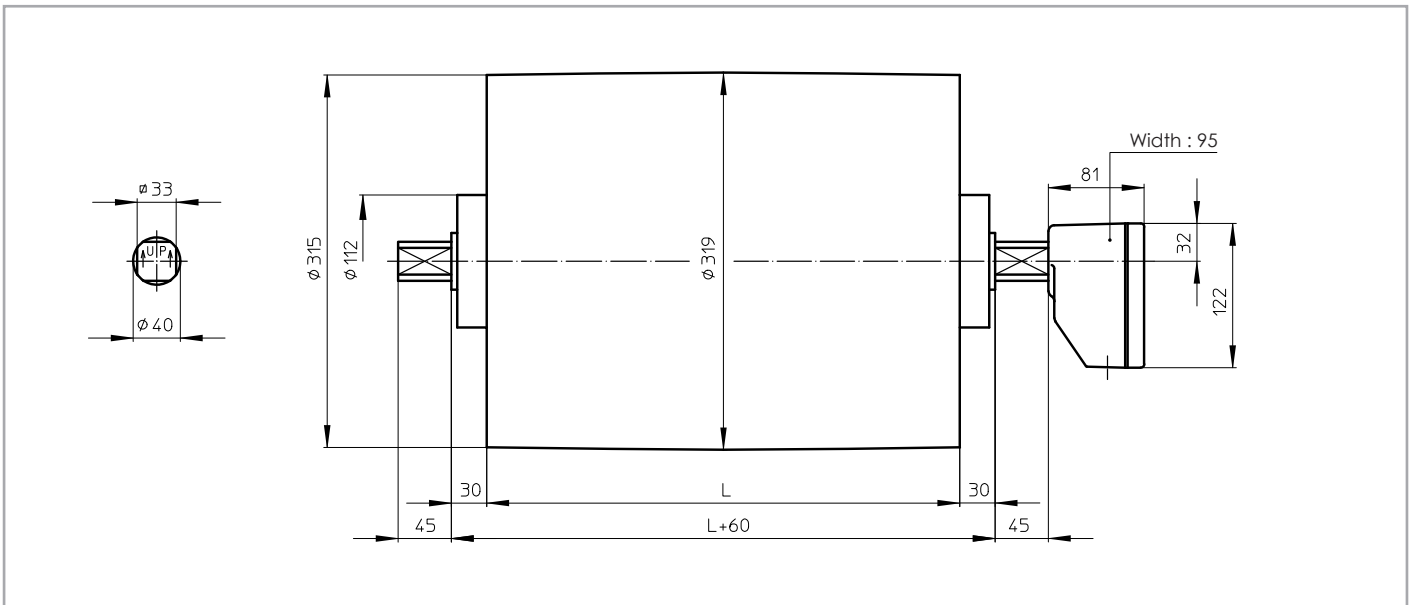
Available standard facewidth's: 500 - 550 - 600 - 650 - 700 - 750 - 800 - 850 - 900 - 950 - 1000 - 1050 - 1100 - 1150 mm
 When an electro-mechanical brake is fitted, the minimum facewidth is increased by 100 mm.
 The total weight of a drummotor grows approx. 7,5 kg. per 100 mm.
 Available torque: $(\text{Beltpull N} \times \text{Drum diameter m}) / 2 \text{ Nm}$



Dimensions drummotors

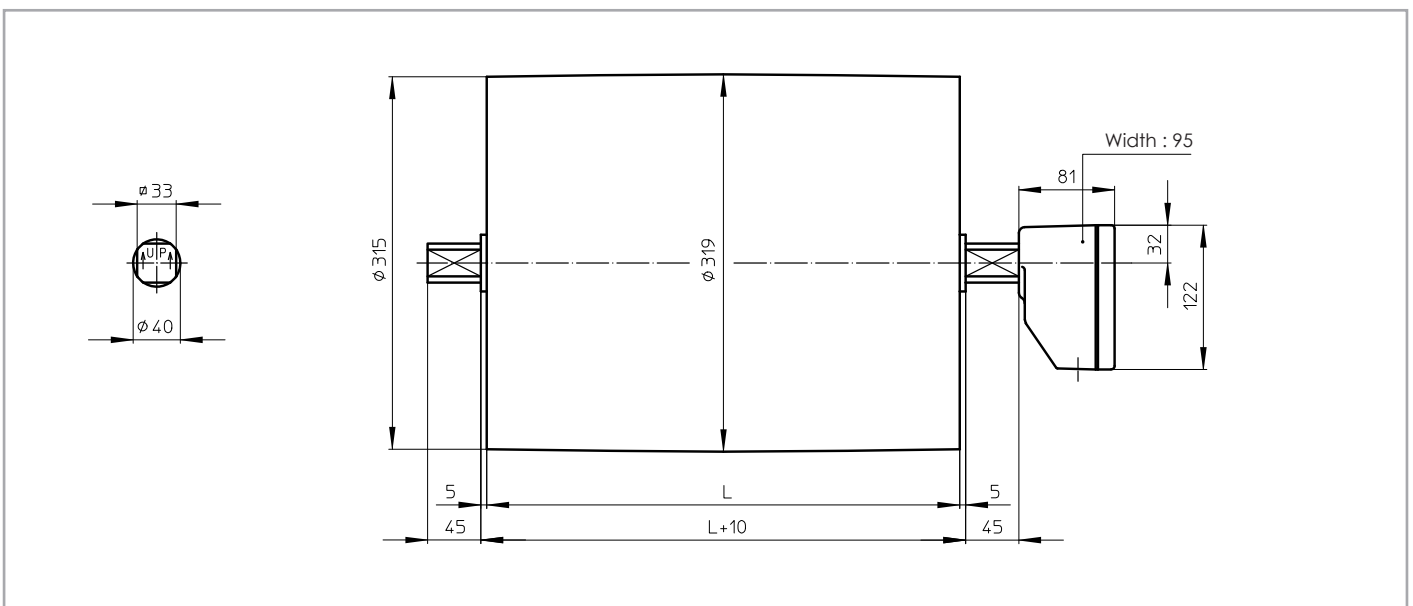
TM 315A40

TM 315A40, mildsteel drummotor with cast iron junction box



TM 315B40

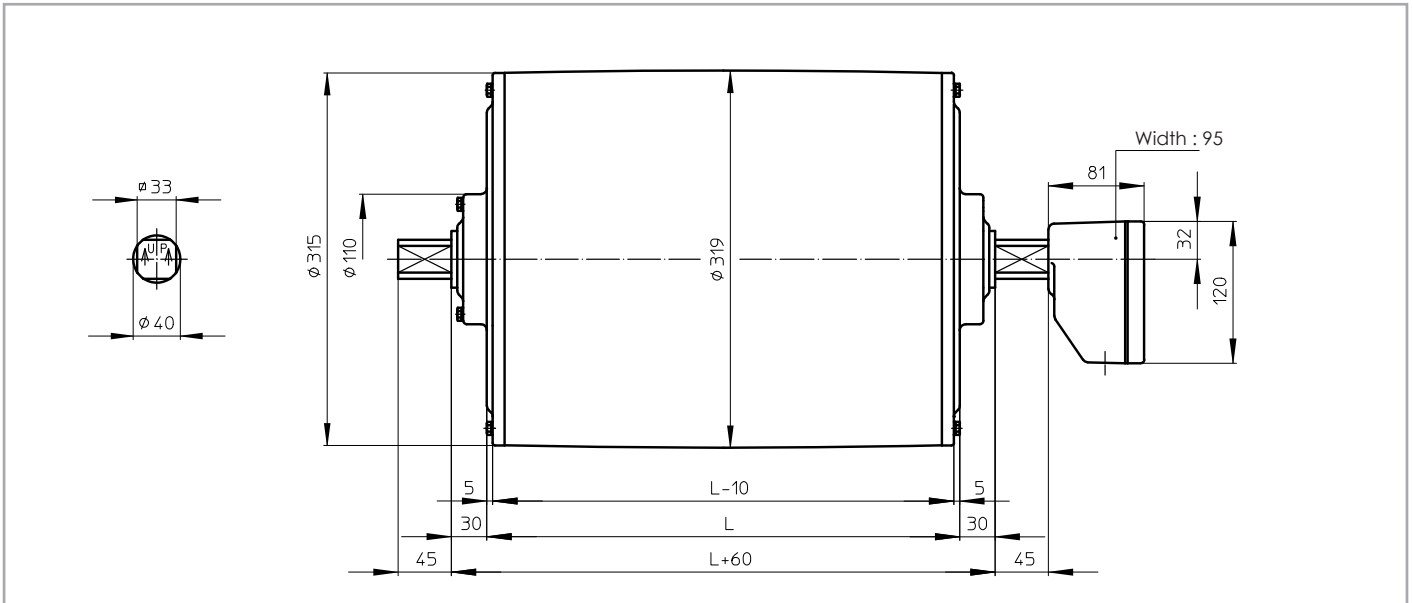
TM 315B40, mildsteel drummotor with cast iron junction box





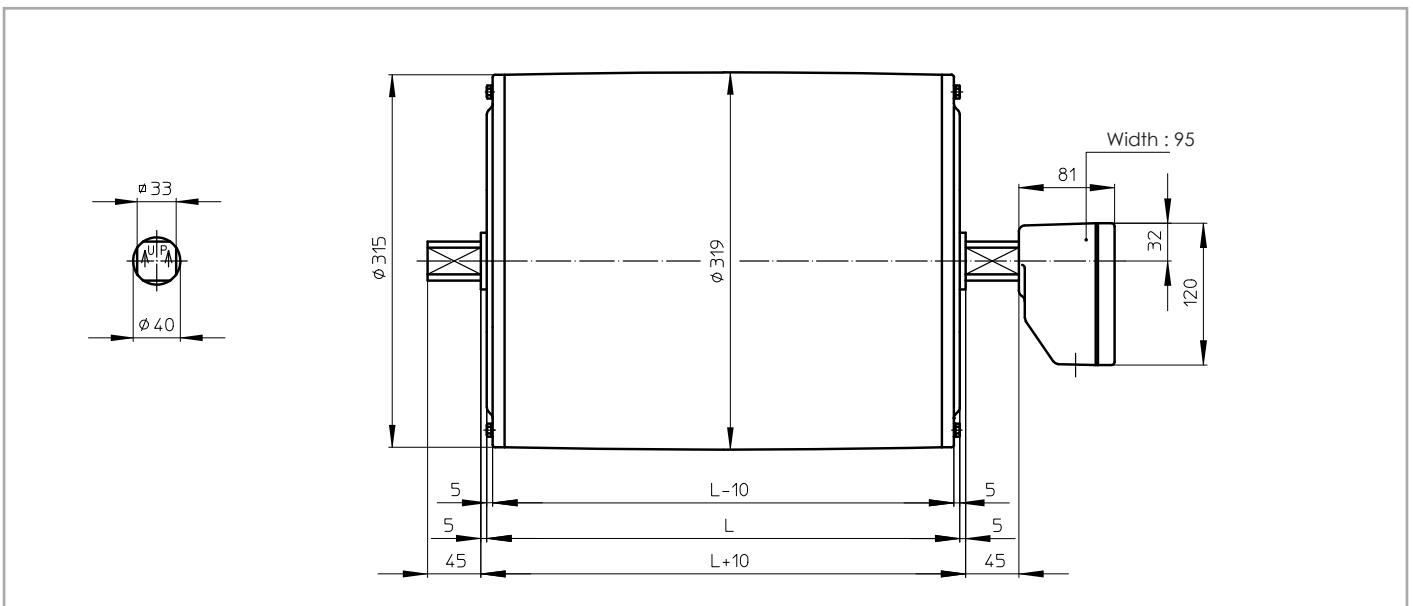
TM 315A40 CR (RVS)

TM 315A40 CR, stainless steel drummotor with polyamide junction box and CR sealing



TM 315B40 CR (RVS)

TM 315B40 CR, stainless steel drummotor with polyamide junction box and CR sealing

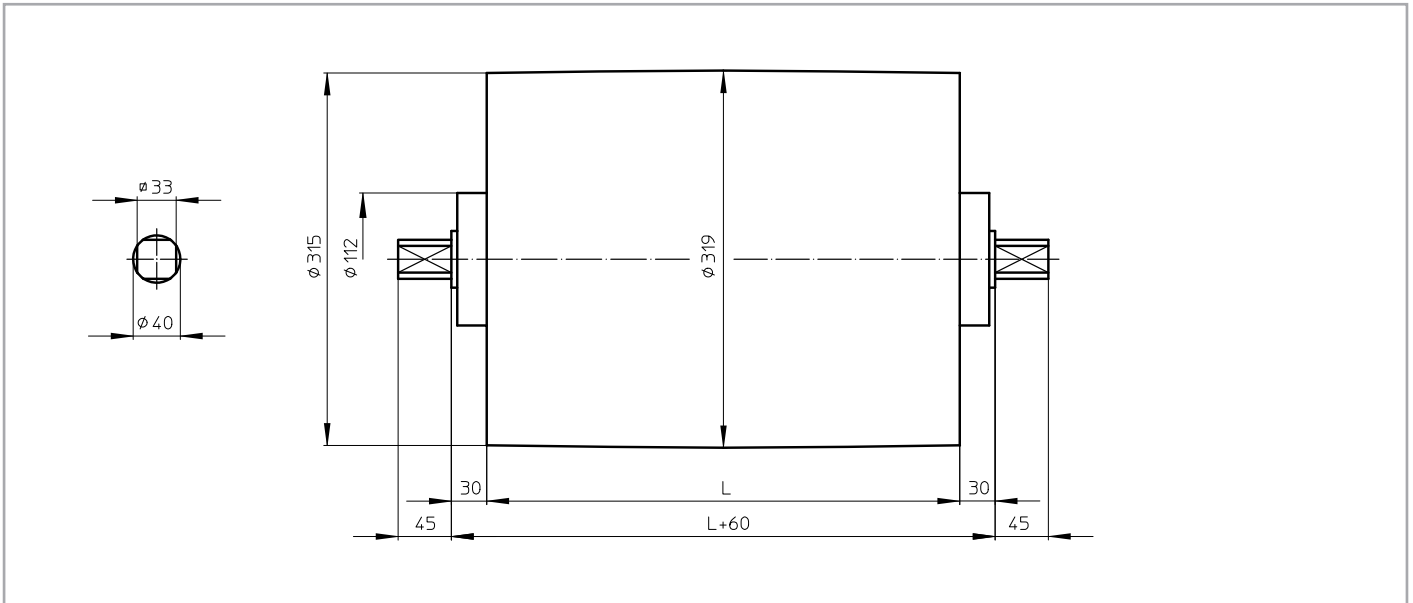




Dimensions taildrums

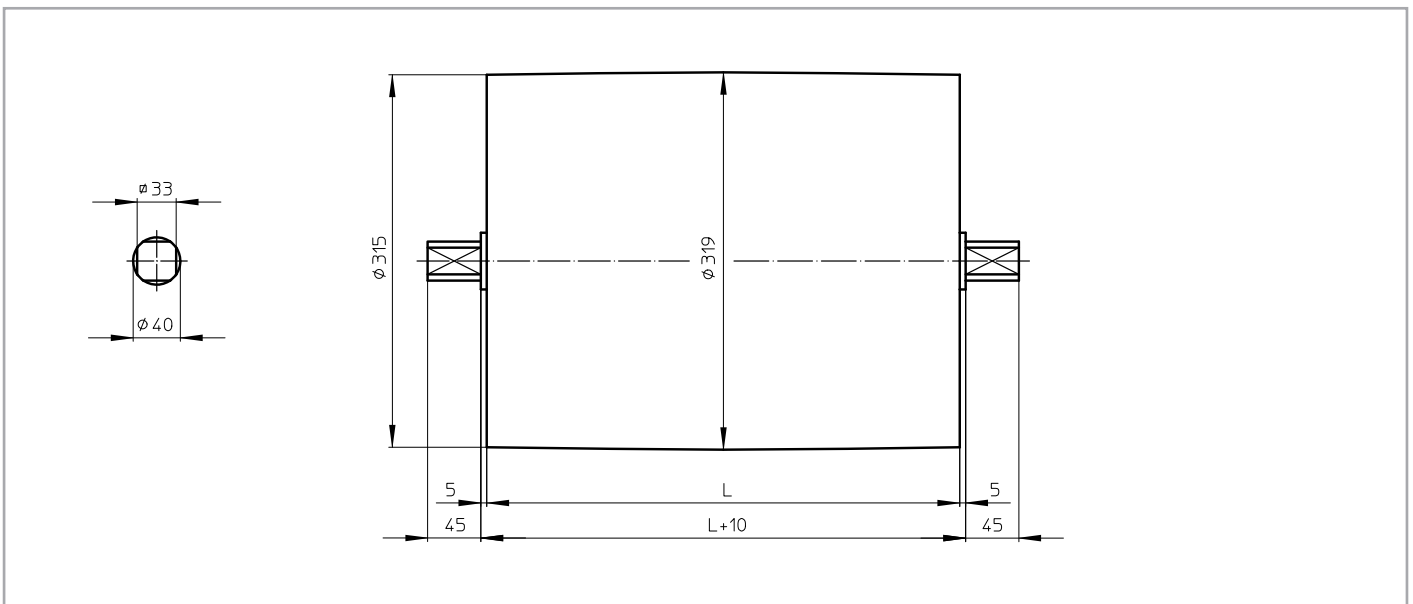
KT 315A40

KT 315A40, mildsteel taildrum



KT 315B40

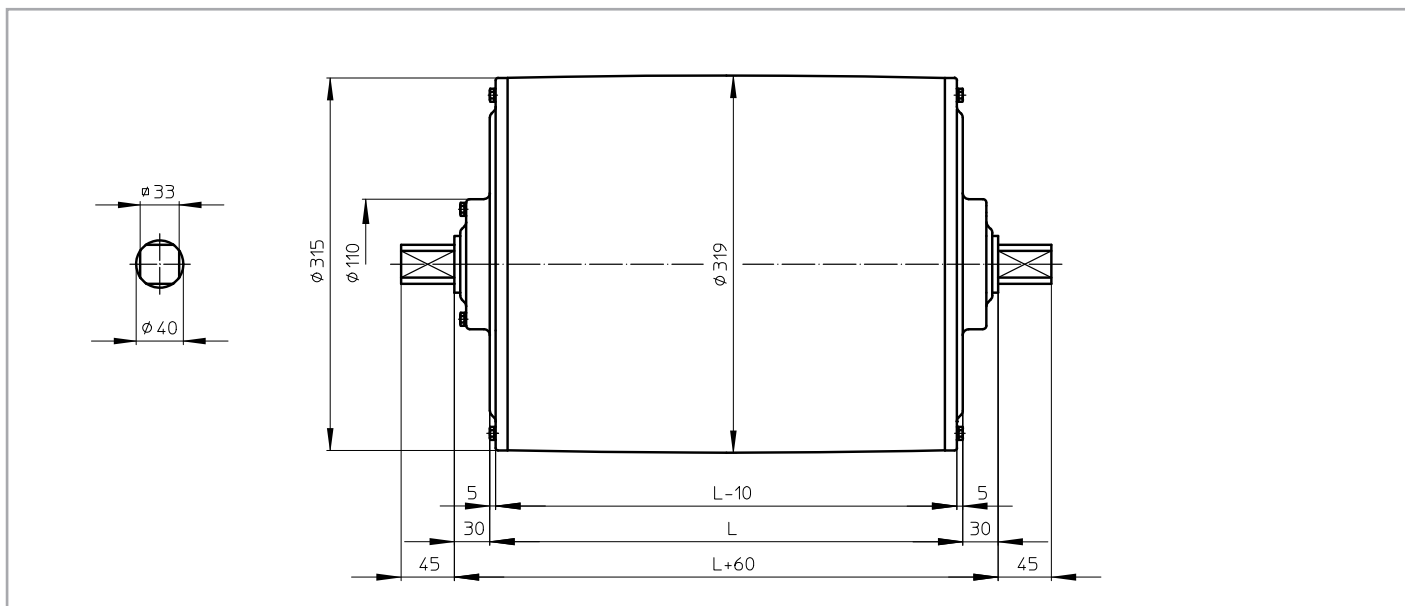
KT 315B40, mildsteel taildrum





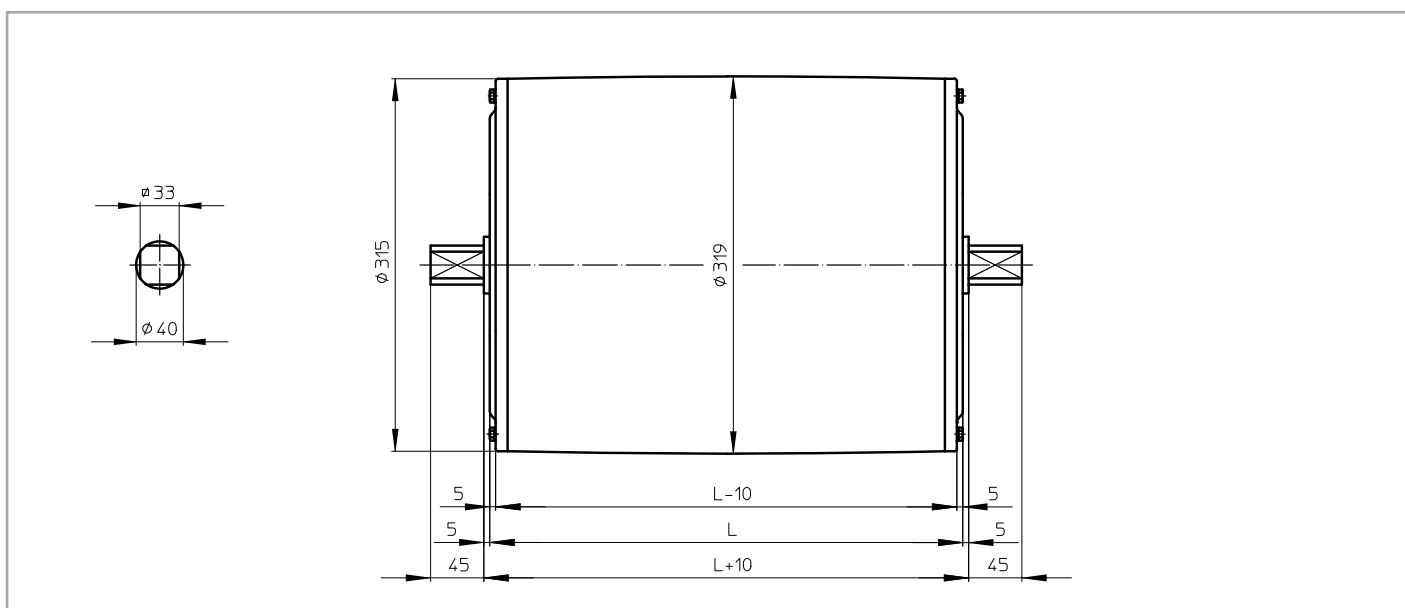
KT 315A40 CR (RVS)

KT 315A40 CR, stainless steel taildrum with CR sealing



KT 315B40 CR (RVS)

KT 315B40 CR, stainless steel taildrum with CR sealing





Cable exit

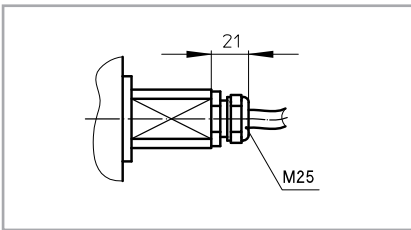
Standard execution of a TM 315-40 is with a cast iron terminal box. For stainless steel execution, this can be either a polyamide or stainless steel terminal box.

On request a drummotor can be fitted with a cable. In this case it is important to know the available voltage (preferably 1 voltage), the length of the cable, whether the cable is shielded or not and the type of cable exit.

An overview of available cable exits is shown below.

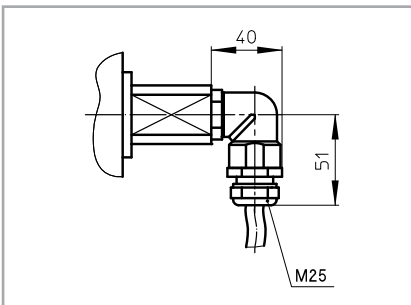
Option 1

Straight cable exit with cable gland



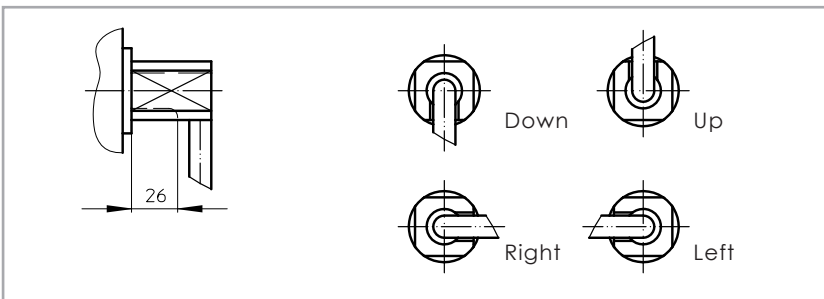
Option 3

Elbow cable exit with cable gland (minimum drumlength increases with at least 50 mm)



Option 4

Open cable exit (minimum drumlength increases with at least 50 mm)

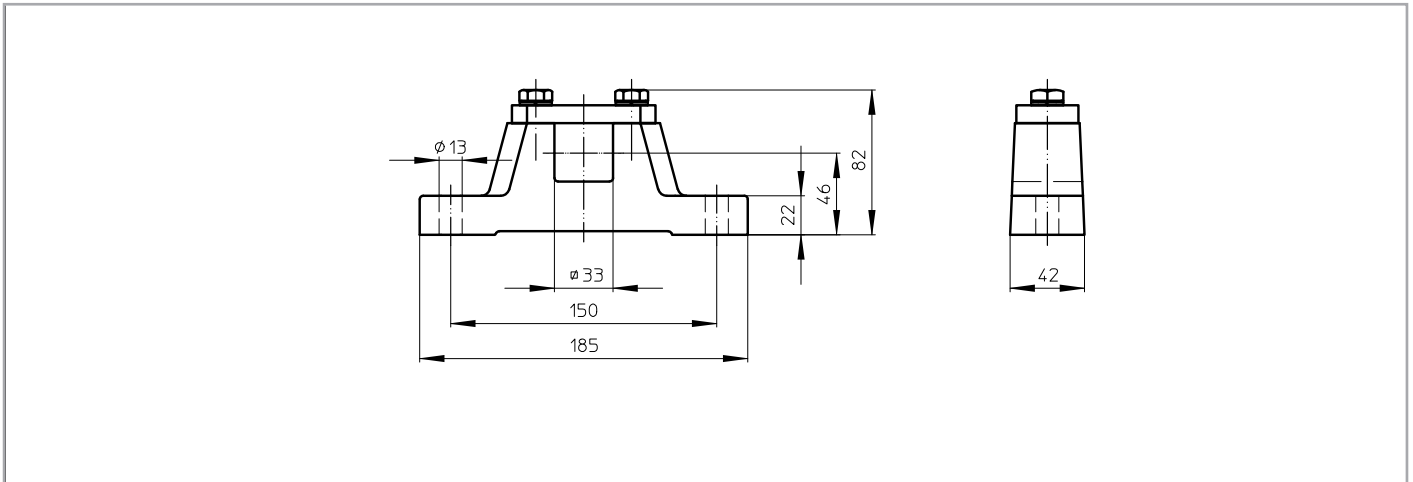




Bracket drawings

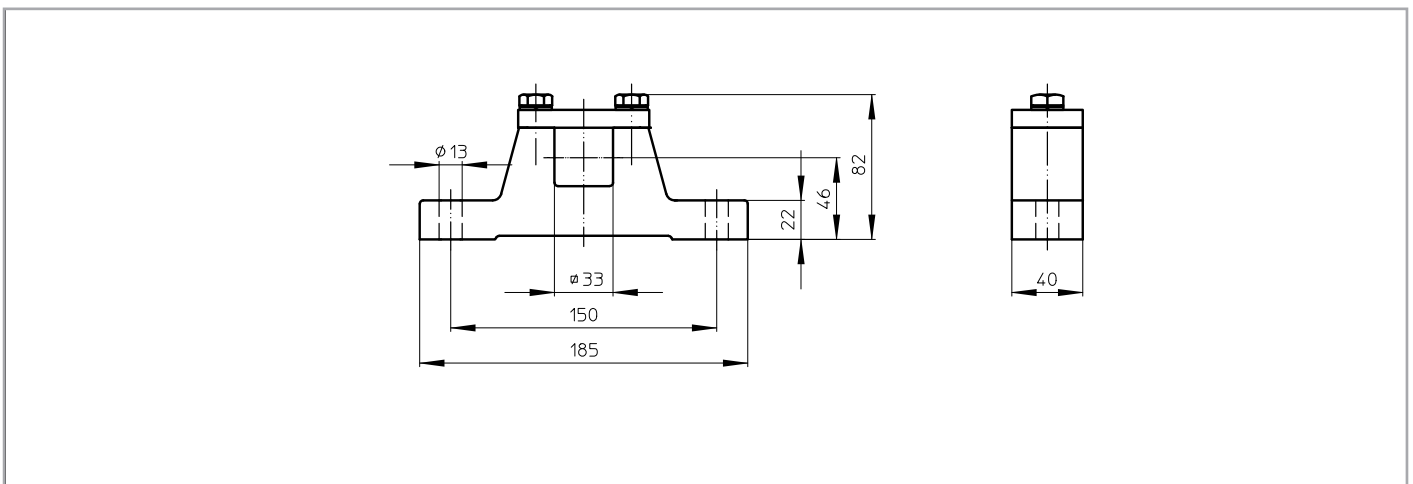
AB 40

AB 40, cast iron or steel bracket



AB 40 RVS

AB 40 RVS, stainless steel bracket





Product overview TM 315-50

TYPE TM 315.50	Power kW	Beltspeed m/s at 50 Hz Beltpull N										Min. L mm Design A	Min. L mm Design B	Full load curr. 400 V - 50 Hz I = ... A	Weight kg L=600
215	11	4,40	3,80	3,40	3,00							600 (650)	650 (700)	19,7	140
215 Z		2,80	2,50	2,40	2,20										
215 ZV		1,90	1,60												
410	7,5	4,10	3,40	3,00	2,40	2,20	1,90	1,70	1,50			600	650	15	140
410 ZV		1,40	1,25	1,20	1,10										
475	5,5	4,10	3,40	3,00	2,40	2,20	1,90	1,70	1,50			550	600	10,5	135
475 Z		1,40	1,25	1,20	1,10										
475 ZV		0,95	0,80												
455	4,0	4,10	3,40	3,00	2,40	2,30	1,90	1,70	1,50	1,40	1,20	500	550	7,8	130
455 Z		1,10	0,90												
455 ZV		0,80	0,70	0,65	0,60	0,55									
440	3,0	2,30	1,90	1,70	1,50	1,40	1,20	1,10	0,90	0,80		500	550	6,6	130
440 Z		0,70	0,60												
440 ZV		0,55	0,50												
640	3,0	2,70	1,60									500	550	7,1	130
640 ZV		0,45	0,40												
630	2,2	1,50	1,20	1,10	0,90	0,80	0,70	0,60	0,50			500	550	4,9	130
630 Z		0,45													
630 ZV		0,40	0,38	0,34											
820	1,5	1,10	0,90	0,85	0,65	0,60	0,55	0,45	0,40			500	550	4,6	130
820 Z		0,37	0,32	0,29											
820 ZV		0,25													
1220	1,5	0,70	0,35									550	600	5,8	135
1220 ZV		0,24	0,21												
815	1,1	1,10	0,90	0,85	0,65	0,60	0,55	0,45	0,40			500	550	3,3	130
815 Z		0,37	0,32	0,29	0,25										
1215	1,1	0,70	0,35									500	550	5,9	130
1215 Z		0,24													
1215 ZV		0,19	0,16												

Available standard facewidth's: 500 - 550 - 600 - 650 - 700 - 750 - 800 - 850 - 900 - 950 - 1000 - 1050 - 1100 - 1150 mm

When a 2-pole drummotor is fitted with a backstop, the minimum facewidth is increased by 50 mm.

When an electro-mechanical brake is fitted, the minimum facewidth is increased by 100 mm.

The total weight of a drummotor grows approx. 7 kg. per 100 mm.

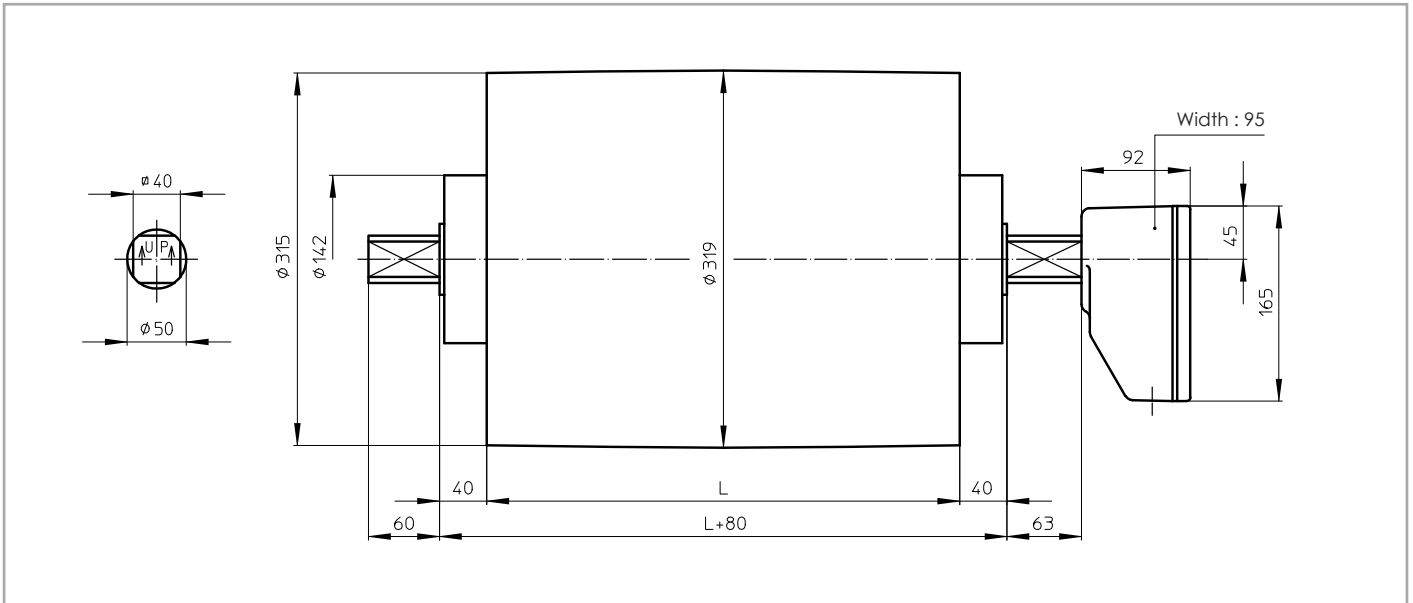
Available torque: $(\text{Beltpull N} \times \text{Drum diameter m}) / 2 \text{ Nm}$



Dimensions drummotors

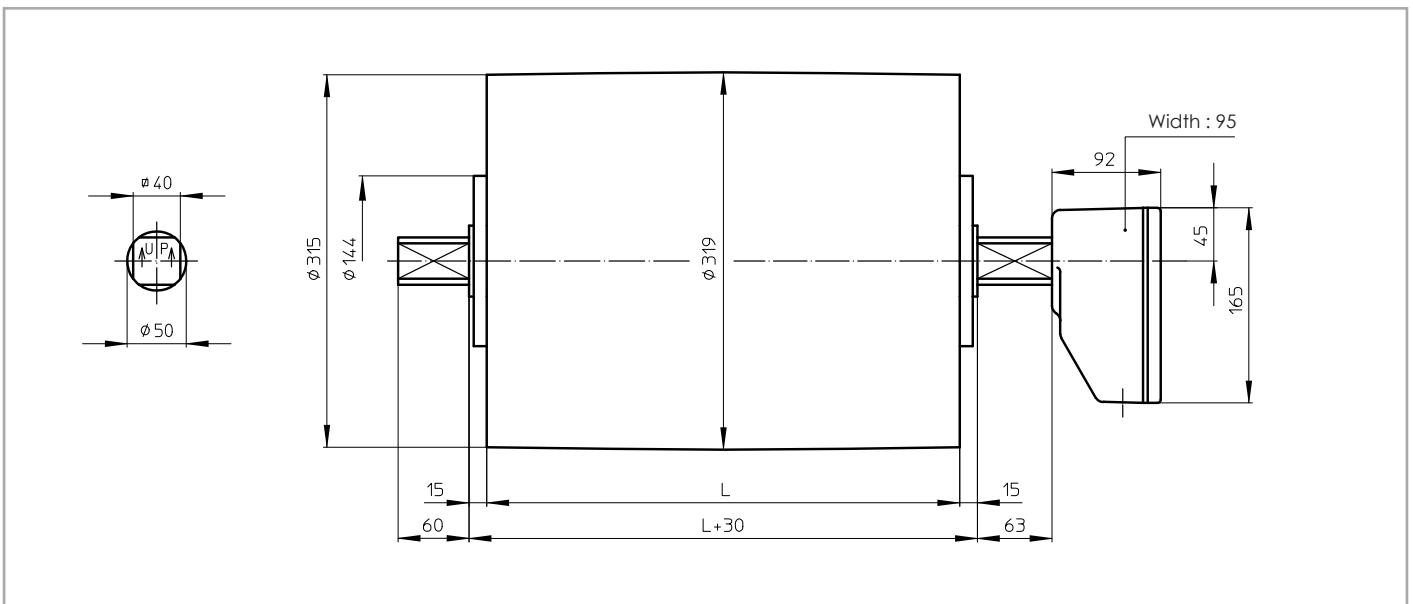
TM 315A50

TM 315A50, mildsteel drummotor with cast iron junction box



TM 315B50

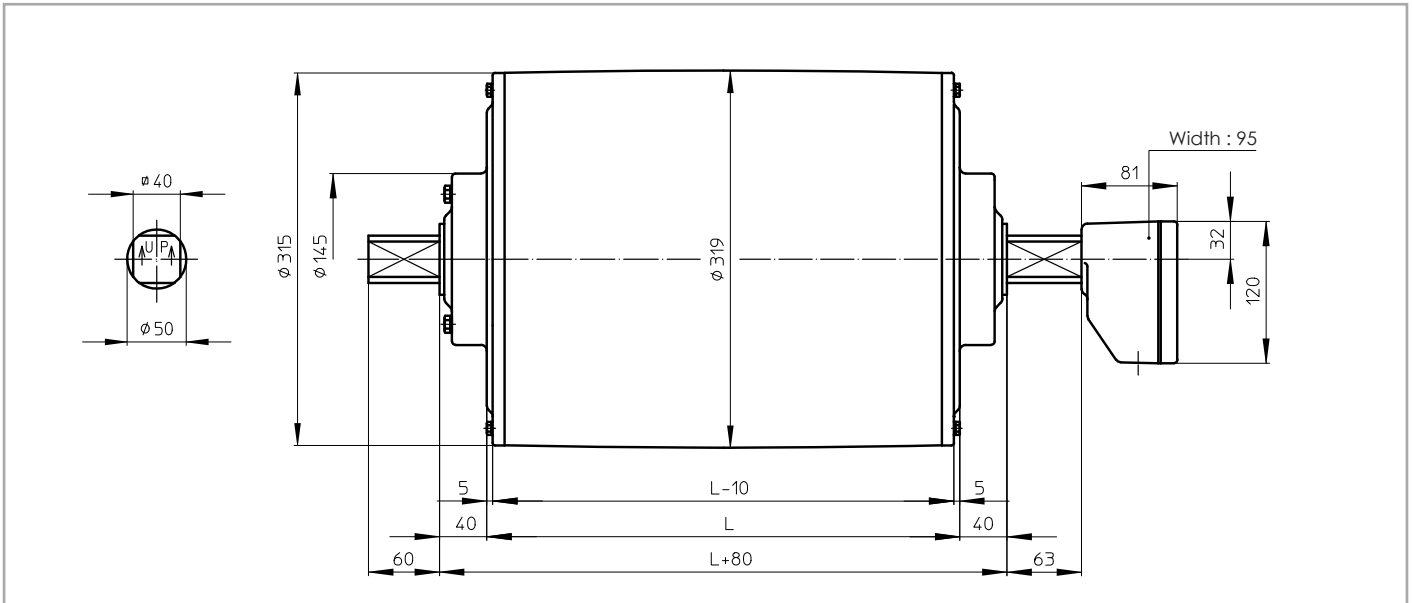
TM 315B50, mildsteel drummotor with cast iron junction box





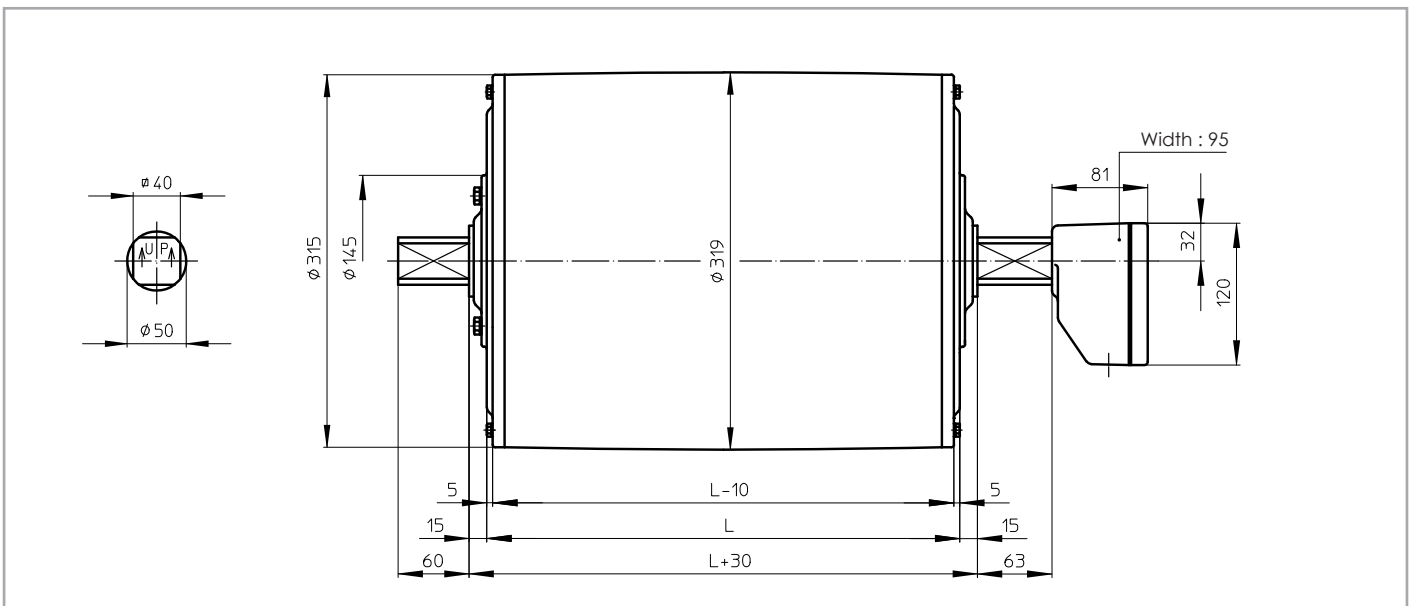
TM 315A50 CR (RVS)

TM 315A50 CR, stainless steel drummotor with polyamide junction box and CR sealing



TM 315B50 CR (RVS)

TM 315B50 CR, stainless steel drummotor with polyamide junction box and CR sealing

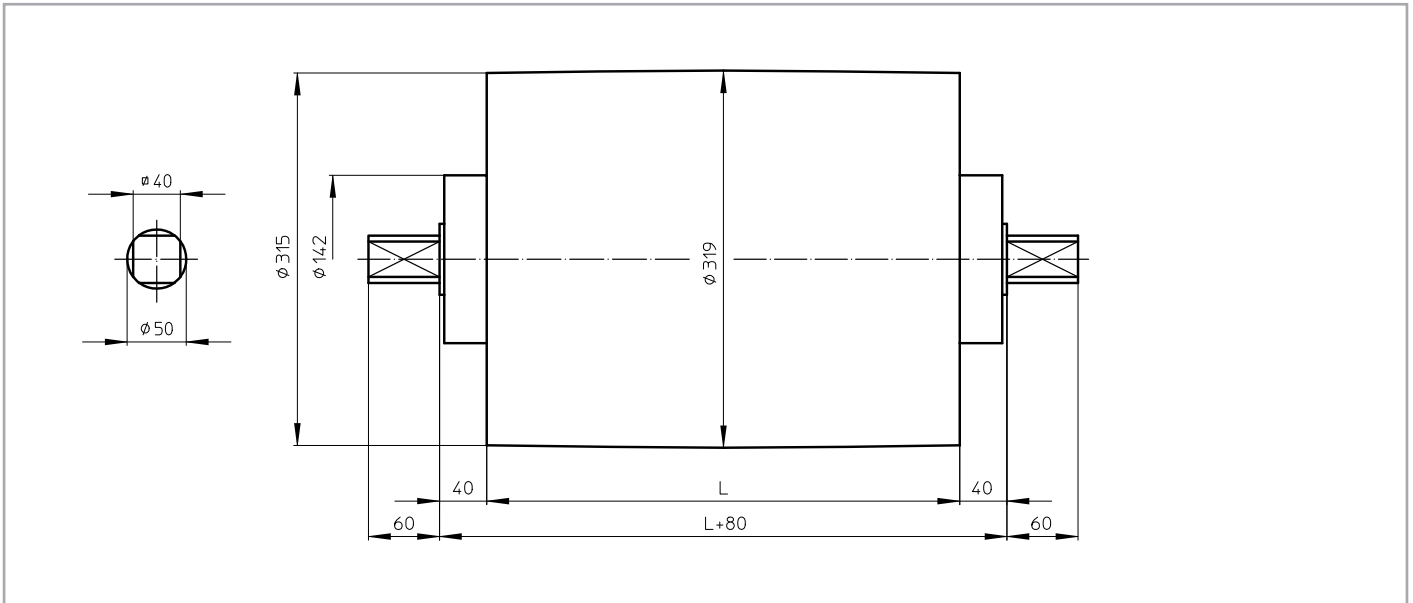




Dimensions taildrums

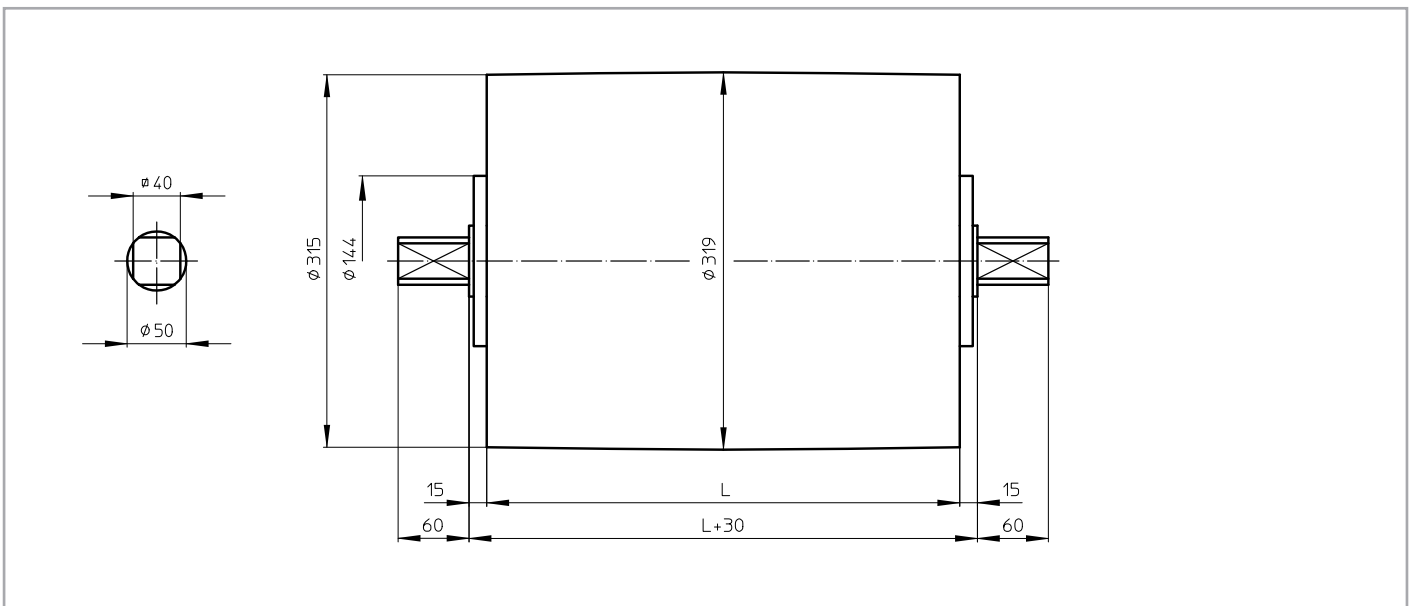
KT 315A50

KT 315A50, mildsteel taildrum



KT 315B50

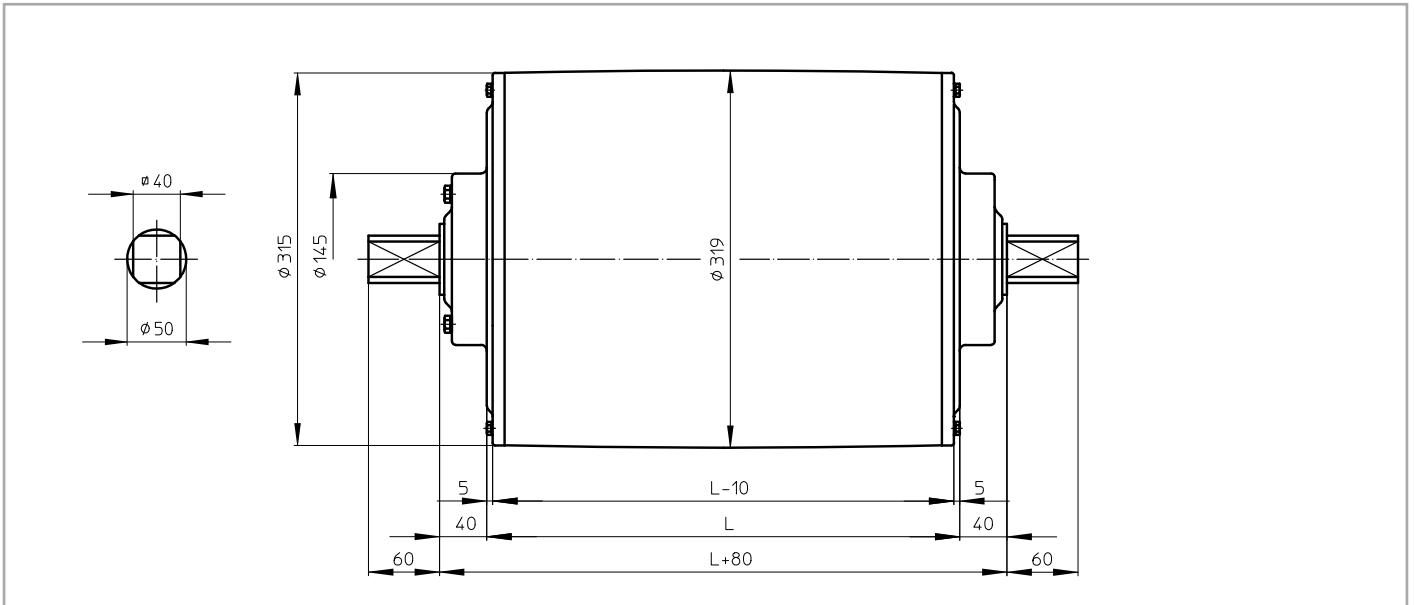
KT 315B50, mildsteel taildrum





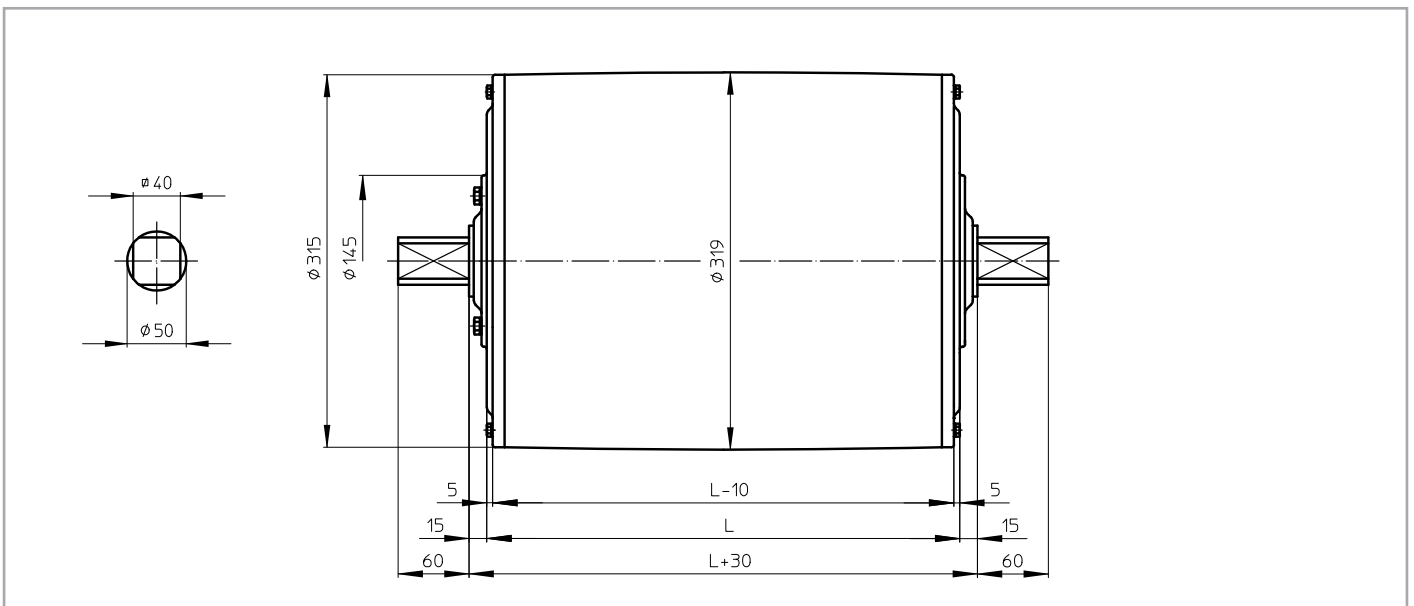
KT 315A50 CR (RVS)

KT 315A50 CR, stainless steel taildrum with CR sealing



KT 315B50 CR (RVS)

KT 315B50 CR, stainless steel taildrum with CR sealing





Cable exit

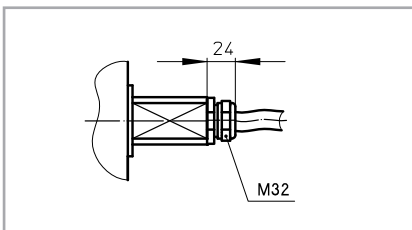
Standard execution of a TM 315-50 is with a cast iron terminal box. For stainless steel execution, this can be either a polyamide or stainless steel terminal box.

On request a drummotor can be fitted with a cable. In this case it is important to know the available voltage (preferably 1 voltage), the length of the cable, whether the cable is shielded or not and the type of cable exit.

An overview of available cable exits is shown below.

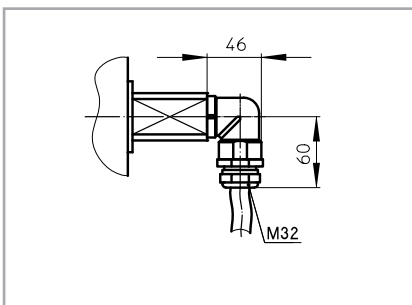
Option 1

Straight cable exit with cable gland



Option 3

Elbow cable exit with cable gland (minimum drumlength increases with at least 50 mm)

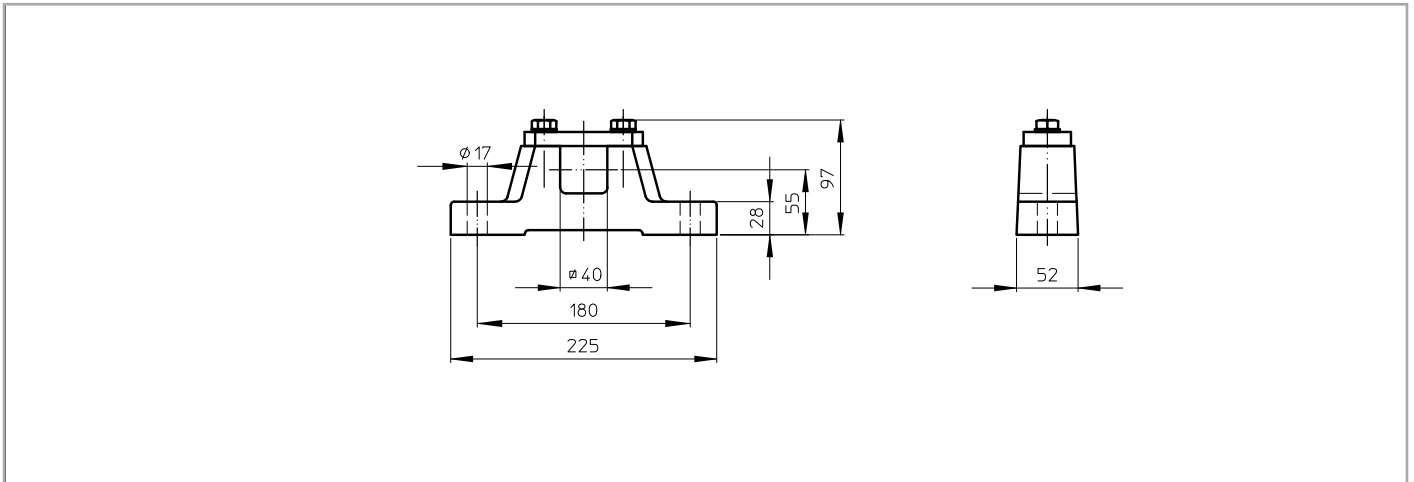




Bracket drawings

AB 50

AB 50, kcast iron or steel bracket Grauguß oder Stahl





Product overview TM 400-50

TYPE TM 400.50	Power kW	Bellspeed m/s at 50 Hz Beltpull N										Min. L mm Design A	Min. L mm Design B	Full load curr. 400 V - 50 Hz I = ... A	Weight kg L=600
		4,80 2175	4,20 2490	3,60 2905	3,00 3485	2,60 4020	2,40 4355	2,80 2545	2,40 2970	2,10 3395	1,80 3960				
215 215 Z 215 ZV	11	3,40 3075	3,20 3265	3,00 3485	2,60 4020	2,40 4355						600 (650)	650 (700)	19,7	205
410 410 Z 410 ZV	7,5	1,70 4190	1,60 4455	1,50 4750								600	650	15,0	205
475 475 Z 475 ZV	5,5	1,70 3075	1,60 3265	1,50 3485	1,30 4020	1,20 4355						600	600	10,5	200
455 455 Z 455 ZV	4,0	1,30 2925	1,10 3455									600	600	7,8	195
440 440 Z	3,0	0,90 3165	0,80 3565	0,70 4070	0,65 4385							600	600	6,6	195
640 640 Z 640 ZV	3,0	0,60 4750										600	600	7,1	195
630 630 Z 630 ZV	2,2	0,60 3485	0,50 4180	0,45 4645								600	600	4,9	195
820 820 Z	1,5	0,45 3165	0,40 3565	0,36 3960	0,32 4455							600	600	4,6	195
1220 1220 Z 1220 ZV	1,5	0,30 4750										600	600	5,8	200
815 815 Z	1,1	0,45 2320	0,40 2615	0,36 2905	0,32 3265							600	600	3,3	195
1215 1215 Z 1215 ZV	1,1	0,30 3485	0,26 4020	0,24 4355								600	600	5,9	195

Available standard facewidth's: 600 - 650 - 700 - 750 - 800 - 850 - 900 - 950 - 1000 - 1050 - 1100 - 1150 mm

When a 2-pole drummotor is fitted with a backstop, the minimum facewith is increased by 50 mm.

When an electro-mechanical brake is fitted, the minimum facewidth is increased by 150 mm.

The total weight of a drummotor grows approx. 12,5 kg. per 100 mm.

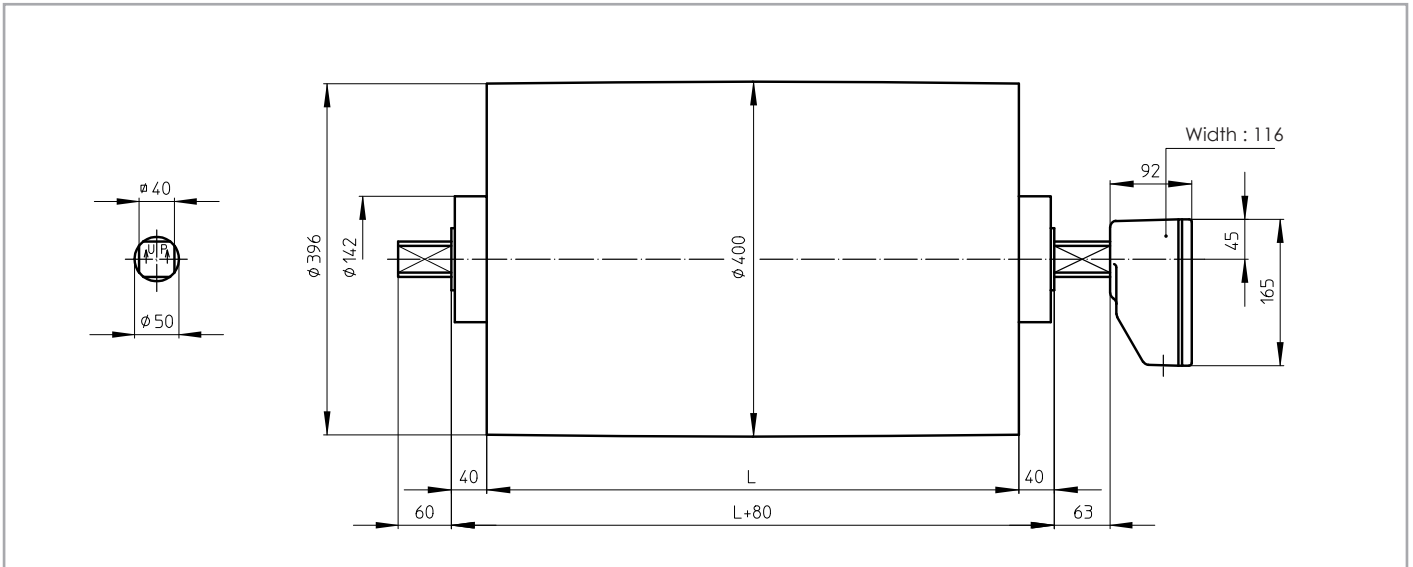
Available torque: $(\text{Beltpull N} \times \text{Drum diameter m}) / 2 \text{ Nm}$



Dimensions

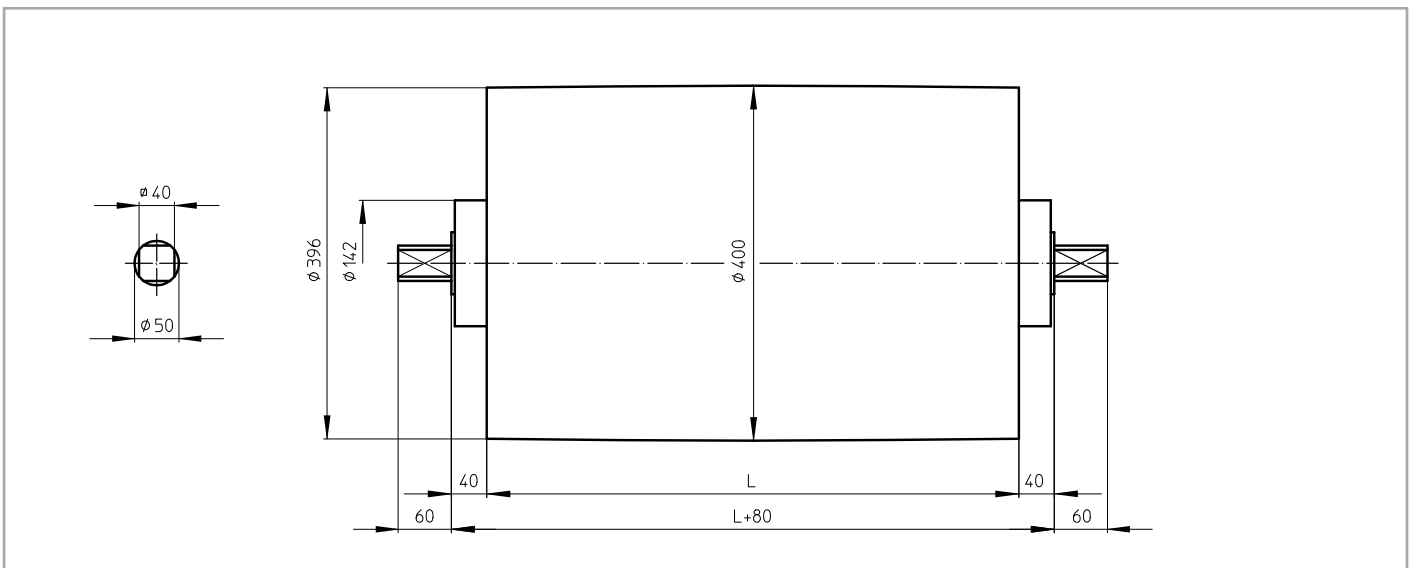
TM 400A50

TM 400A50, mildsteel drummotor with cast iron junction box



KT 400A50

KT 400A50, mildsteel taildrum





Cable exit

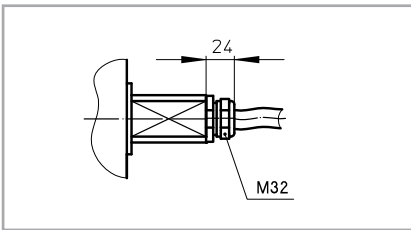
Standard execution of a TM 400A50 is with a cast iron terminal box. For stainless steel execution, this can be either a polyamide or stainless steel terminal box.

On request a drummotor can be fitted with a cable. In this case it is important to know the available voltage (preferably 1 voltage), the length of the cable, whether the cable is shielded or not and the type of cable exit.

An overview of available cable exits is shown below.

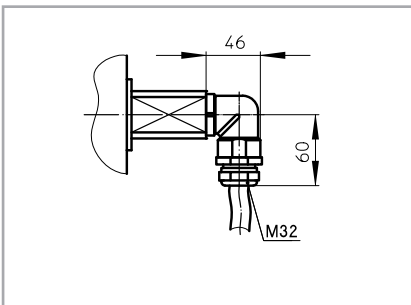
Option 1

Straight cable exit with cable gland



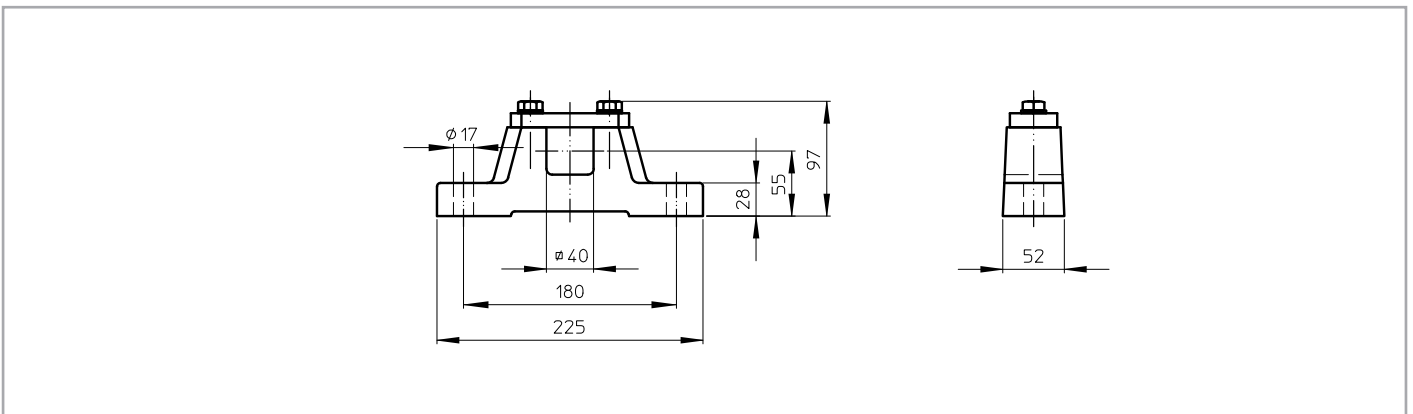
Option 3

Elbow cable exit with cable gland (minimum drumlength increases with at least 50 mm)



AB 50

AB 50, cast iron or steel bracket





Product overview TM 400-60

TYPE TM 400.60	Power kW	Bellspeed m/s at 50 Hz Beltpull N						Min. L mm Design A	Min. L mm Design B	Full load curr. 400 V - 50 Hz I = ... A	Weight kg L=650	
230	22,0	4,20 4975						700 (750)	750 (800)	39	255	
230 Z		3,60 5805										
230 ZV		3,00 6965	2,60 8040	2,20 9500								
225	18,5	4,20 4180						700 (750)	750 (800)	34	255	
225 Z		3,60 4880	3,00 5885									
225 ZV		2,60 6760	2,20 7985									
220	15,0	4,60 3100	3,40 4190	2,60 5480				650 (700)	700 (750)	28,0	245	
220 ZV		2,20 6475	1,80 7915	1,60 8905	1,30 10960							
415	11,0	4,10 2550	3,70 2825	2,70 3870	2,10 4975			650	700	21,0	245	
415 Z		1,80 5805										
415 ZV		1,50 6965	1,30 8040	1,10 9500								
410	7,5	4,10 1740	3,70 1925	2,70 2640	2,30 3100	1,70 4190	1,30 5480	600	650	14,5	230	
410 ZV		1,10 6475	0,90 7915	0,80 8905	0,65 10960							
475	5,5	3,70 1410	2,70 1935	2,50 2090	2,30 2270	1,70 3075	1,30 4020	600	650	12,0	225	
475 Z		0,90 5805										
475 ZV		0,80 6530	0,65 8040									
455	4,0	3,70 1025	2,70 1405	2,50 1520	2,30 1650	1,70 2235	1,30 2925	600	650	9,5	220	
455 Z		0,90 4220	0,80 4750	0,65 5845								
655	4,0	1,50 2535					600	650	9,2	225		
655 ZV		0,60 6335	0,50 7600	0,45 8445								
640	3,0	1,70 1675	1,50 1900	1,10 2590	0,85 3355	0,65 4385			600	650	7,0	220
640 Z		0,60 4750	0,50 5700	0,45 6335								
840	3,0	1,25 2280					600	650	8,7	225		
840 ZV		0,40 7125	0,32 8905									
830	2,2	1,25 1670	1,10 1900	0,80 2615	0,65 3215	0,50 4180			600	650	8,0	220
830 Z		0,45 4645	0,40 5225	0,32 6530								
1230	2,2	0,75 2785	0,55 3800				600	650	8,2	230		
1230 ZV		0,28 7465	0,25 8360	0,20 10450								
1220	1,5	0,80 1780	0,75 1900	0,55 2590	0,40 3565	0,30 4750			600	650	5,1	225
1220 Z		0,28 5090	0,25 5700									
1220 ZV		0,20 7125										

Available standard facewidth's: 600 - 650 - 700 - 750 - 800 - 850 - 900 - 950 - 1000 - 1050 - 1100 - 1150 mm

When a 2-pole drummotor is fitted with a backstop, the minimum facewidth is increased by 50 mm.

When an electro-mechanical brake is fitted, the minimum facewidth is increased by 150 mm.

The total weight of a drummotor grows approx. 12 kg. per 100 mm.

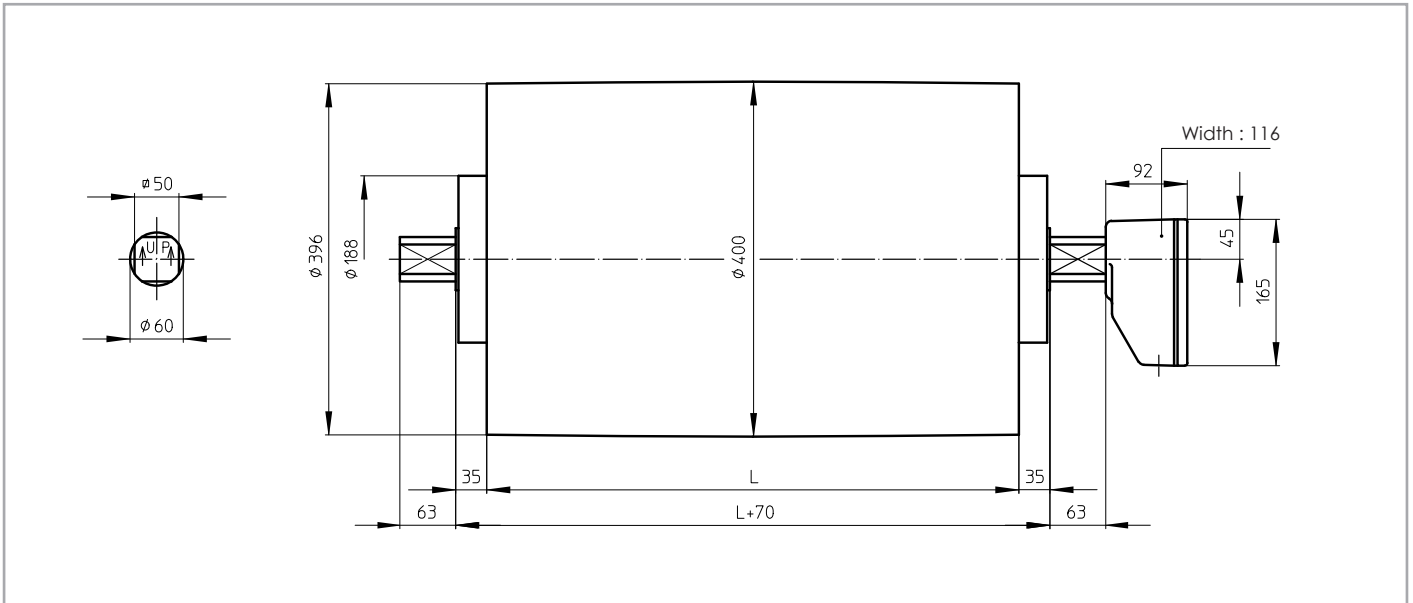
Available torque: $(\text{Beltpull N} \times \text{Drum diameter m}) / 2 \text{ Nm}$



Dimensions drummotors

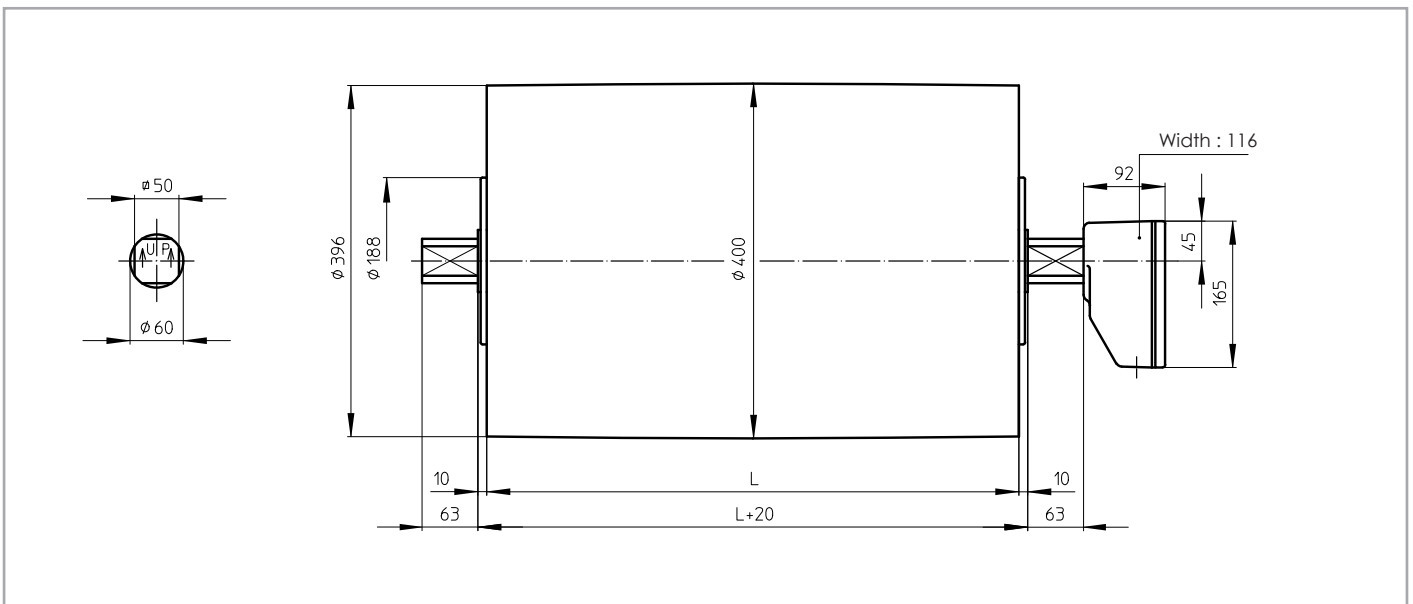
TM 400A60

TM 400A60, mildsteel drummotor with cast iron junction box



TM 400B60

TM 400B60, mildsteel drummotor with cast iron junction box

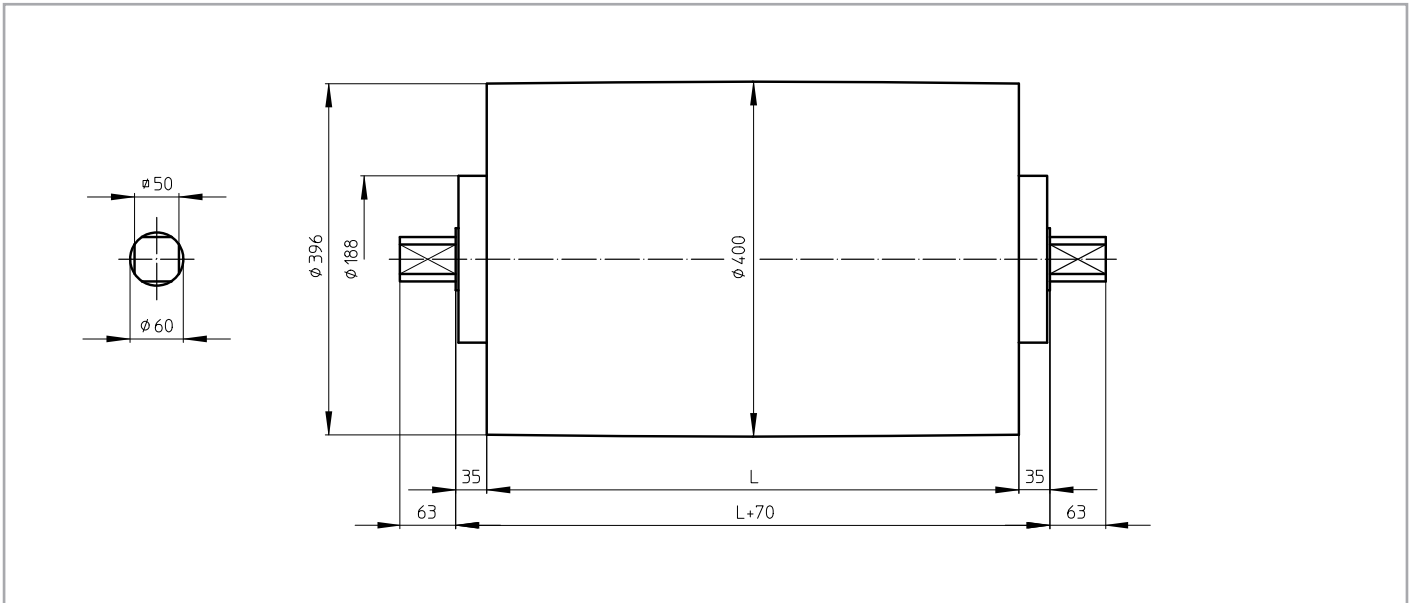




Dimensions taildrums

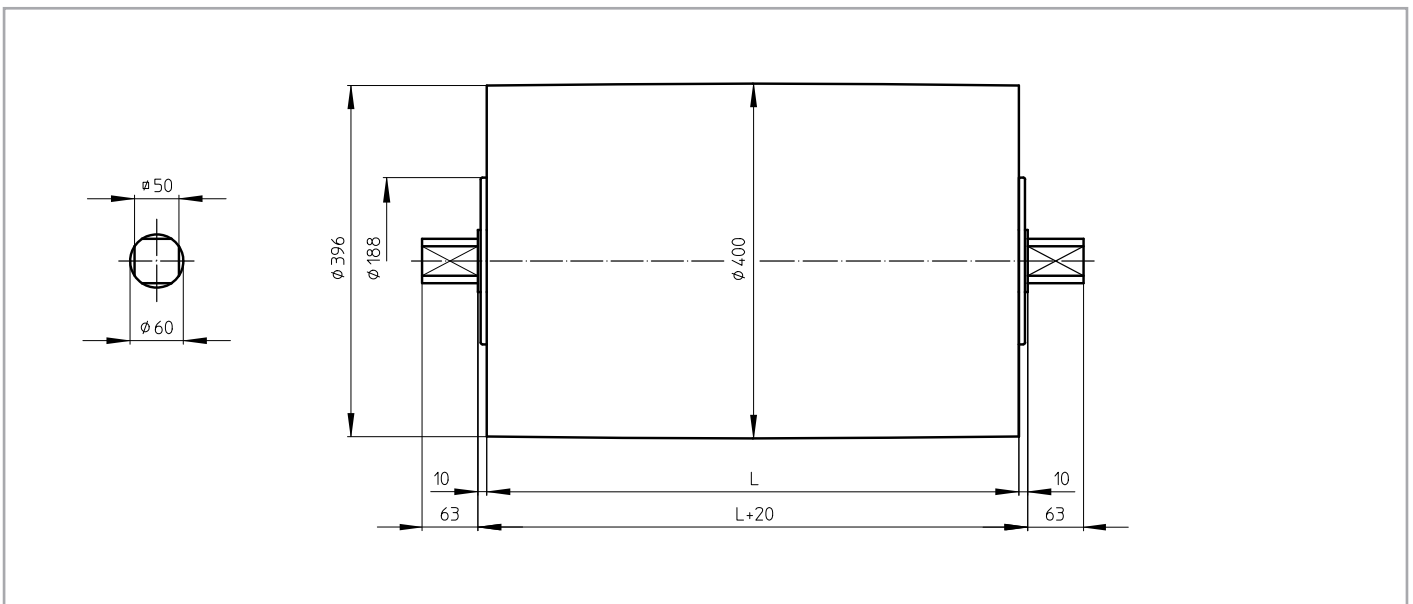
KT 400A60

KT 400A60, mildsteel taildrum



KT 400B60

KT 400B60, mildsteel taildrum mildsteel taildrum





Cable exit

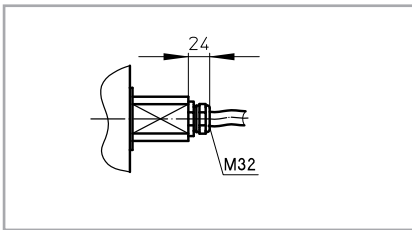
Standard execution of a TM 400-60 is with a cast iron terminal box. For stainless steel execution, this can be either a polyamide or stainless steel terminal box.

On request a drummotor can be fitted with a cable. In this case it is important to know the available voltage (preferably 1 voltage), the length of the cable, whether the cable is shielded or not and the type of cable exit.

An overview of available cable exits is shown below.

Option 1

Straight cable exit with cable gland

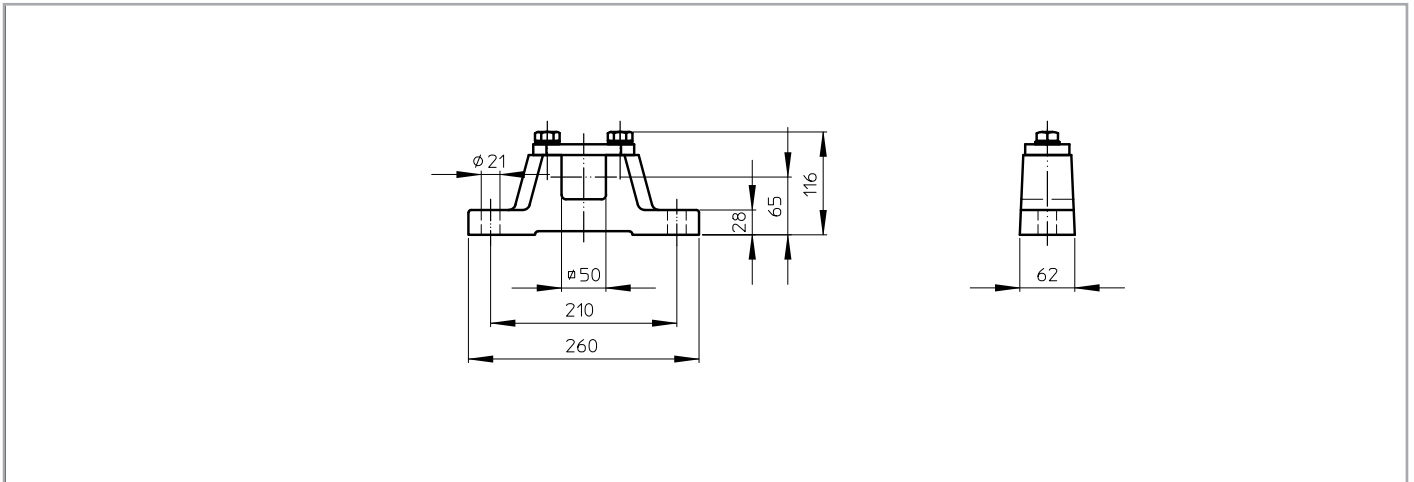




Bracket drawings

AB 60

AB 60, cast iron or steel bracket





Product overview TM 500-60

TYPE TM 500.60	Power kW	Bellspeed m/s at 50 Hz Beltpull N						Min. L mm Design A	Min. L mm Design B	Full load curr. 400 V - 50 Hz I = ... A	Weight kg L=850	
230 Z 230 ZV	22,0	4,40 4750	3,80 5500					700 (750)	750 (800)	39	365	
225 Z 225 ZV	18,5	4,40 3990	3,80 4625	3,20 5490				700 (750)	750 (800)	34	365	
220 Z 220 ZV	15,0	2,70 5275	2,30 6195					650 (700)	700 (750)	28,0	355	
415 415 Z 415 ZV	11,0	4,70 2225	3,40 3075	2,70 3870				650	700	21,0	355	
410 410 Z 410 ZV	7,5	4,70 1515	3,40 2095	2,90 2455	2,10 3395	1,60 4455		600	650	14,5	340	
475 475 Z	5,5	4,70 1110	3,40 1535	3,20 1635	2,90 1800	2,10 2490	1,60 3265	1,20 4355	600	650	12,0	335
455 455 Z	4,0	4,70 810	3,40 1120	3,20 1190	2,90 1310	2,10 1810	1,60 2375	1,20 3165	600	650	9,5	330
655 655 Z 655 ZV	4,0	1,90 2000	1,40 2715					600	650	9,2	335	
640 640 Z	3,0	2,10 1355	1,90 1500	1,40 2035	1,10 2590	0,80 3565		600	650	7,0	330	
840 840 ZV	3,0	1,60 1780						600	650	8,7	335	
830 830 Z	2,2	1,60 1305	1,40 1495	1,00 2090	0,80 2615	0,60 3485		600	650	8,0	330	
1230 1230 ZV	2,2	0,70 2985						600	650	8,2	340	
1220 1220 Z	1,5	1,10 1295	0,95 1500	0,70 2035	0,55 2590	0,40 3565		600	650	5,1	335	

Available standard facewidth's: 600 - 650 - 700 - 750 - 800 - 850 - 900 - 950 - 1000 - 1050 - 1100 - 1150 - 1400 - 1600 mm

When a 2-pole drummotor is fitted with a backstop, the minimum facewith is increased by 50 mm.

When an electro-mechanical brake is fitted, the minimum facewidth is increased by 150 mm.

The total weight of a drummotor grows approx. 19 kg. per 100 mm.

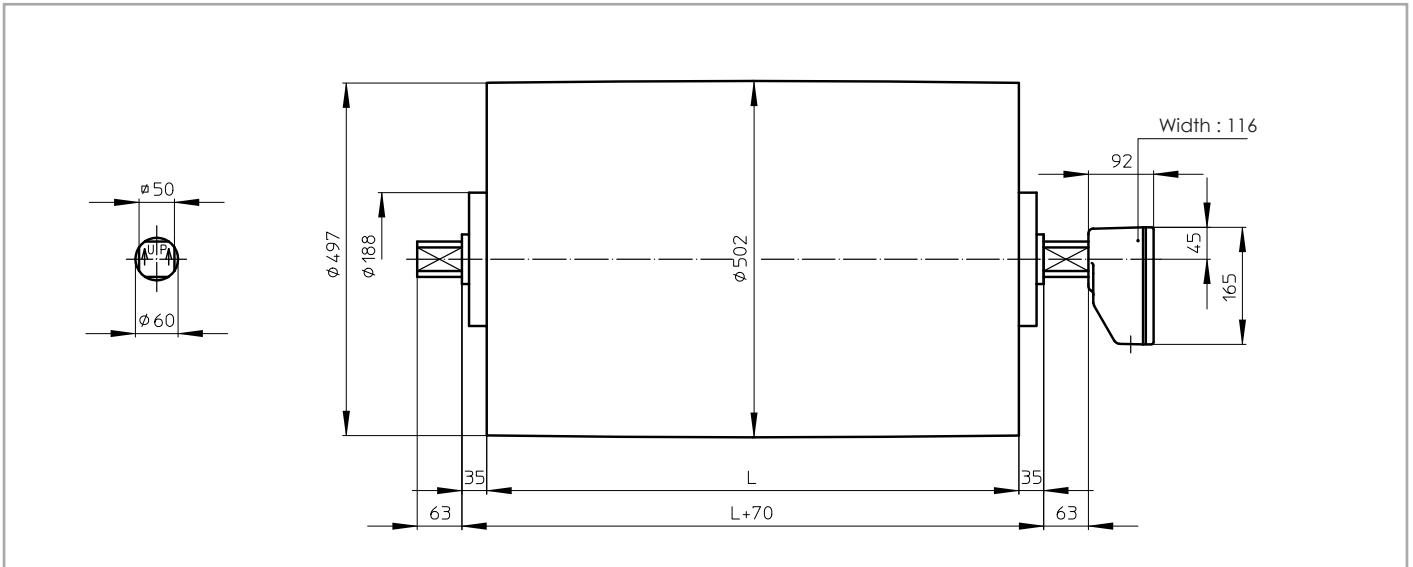
Available torque: $(\text{Beltpull N} \times \text{Drum diameter m}) / 2 \text{ Nm}$



Dimensions

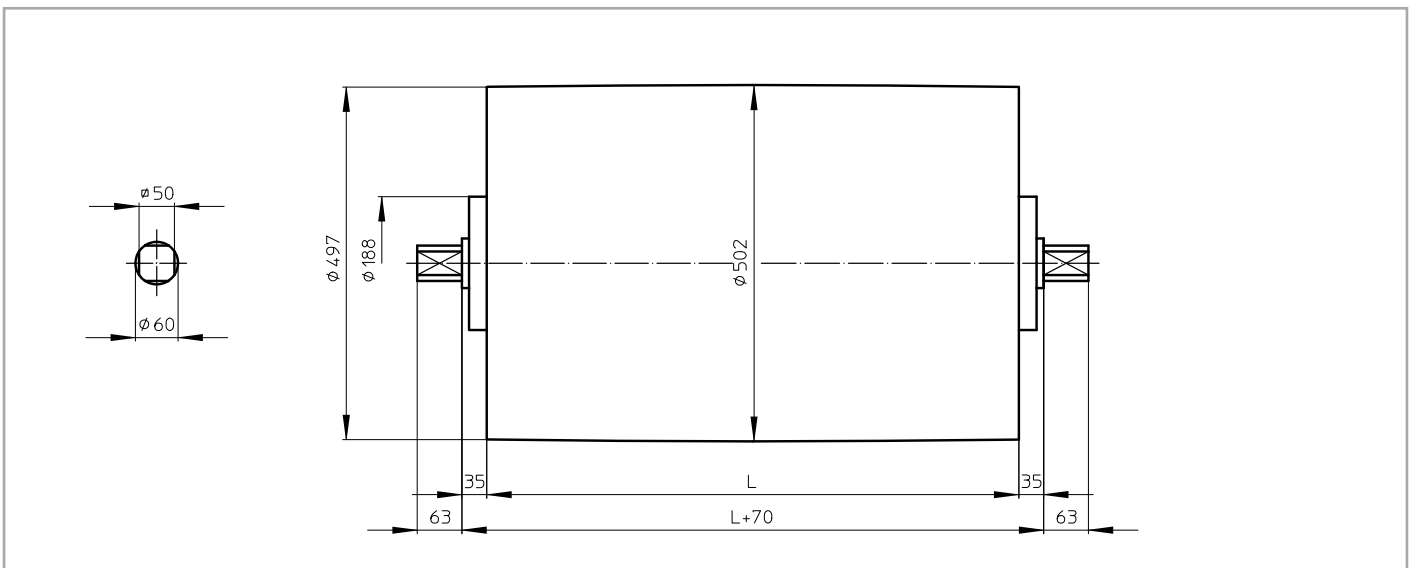
TM 500A60

TM 500A60, mildsteel drummotor with cast iron junction box



KT 500A60

KT 500A60, mildsteel taildrum





Cable exit

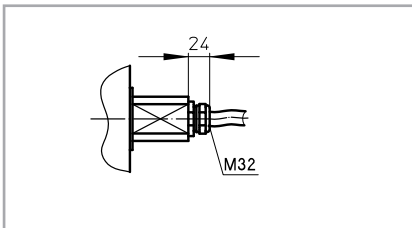
Standard execution of a TM 500-60 is with a cast iron terminal box. For stainless steel execution, this can be either a polyamide or stainless steel terminal box.

On request a drummotor can be fitted with a cable. In this case it is important to know the available voltage (preferably 1 voltage), the length of the cable, whether the cable is shielded or not and the type of cable exit.

An overview of available cable exits is shown below.

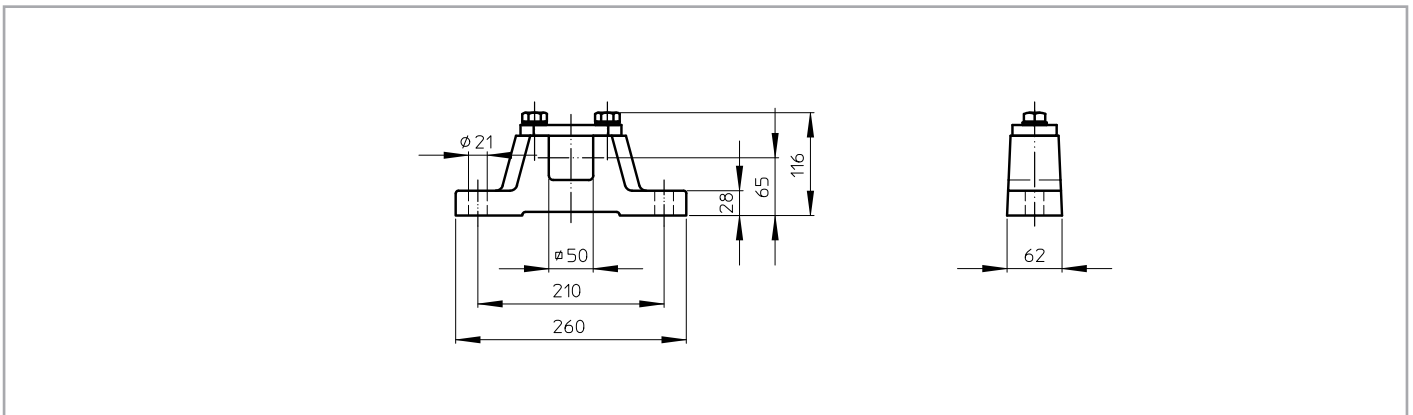
Option 1

Straight cable exit with cable gland



AB 60

AB 60, cast iron or steel bracket





Product overview TM 500A75

TYPE TM 500A75	Power kW	Bellspeed m/s at 50 Hz Beltpull N				Min. L mm Design A	Full load curr. 400 V - 50 Hz I = ... A	Weight kg L=850
440 ZV	30,0	3,20 8905	2,50 11400	2,00 14250		950	52,0	
430 ZV	22,0	3,20 6530	2,50 8360	2,00 10450	1,60 13065	850	37,0	500
425 ZV	18,5	3,20 5490	2,50 7030	2,00 8790	1,60 10985	850	32,0	490
620 ZV	15,0	2,10 6785	1,70 8380	1,30 10960	1,00 14250	850	31,5	500
815 ZV	11,0	1,60 6530	1,25 8360	1,00 10450	0,80 13065	850	26,0	500

Available standard facewidth's: 850 - 900 - 950 - 1000 - 1050 - 1100 - 1150 - 1400 - 1600 mm

Other powers and frequencies upon request.

The total weight of a drummotor grows approx. 27,7 kg. per 100 mm.

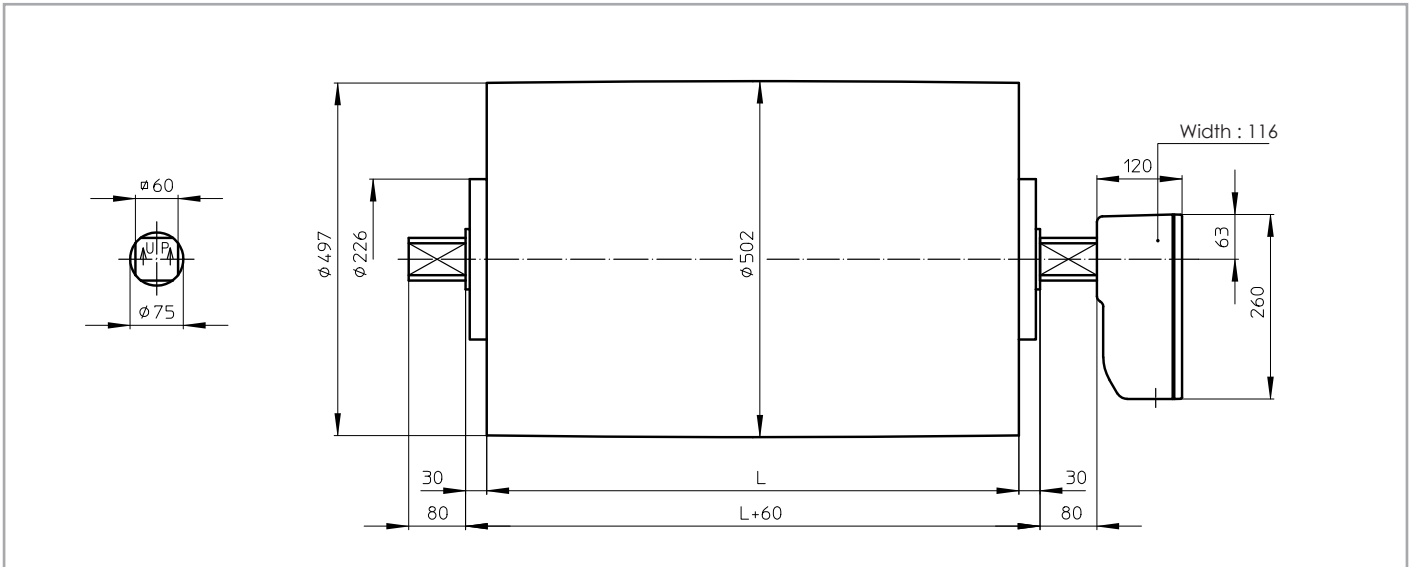
Available torque: $(\text{Beltpull N} \times \text{Drum diameter m}) / 2 \text{ Nm}$



Dimensions

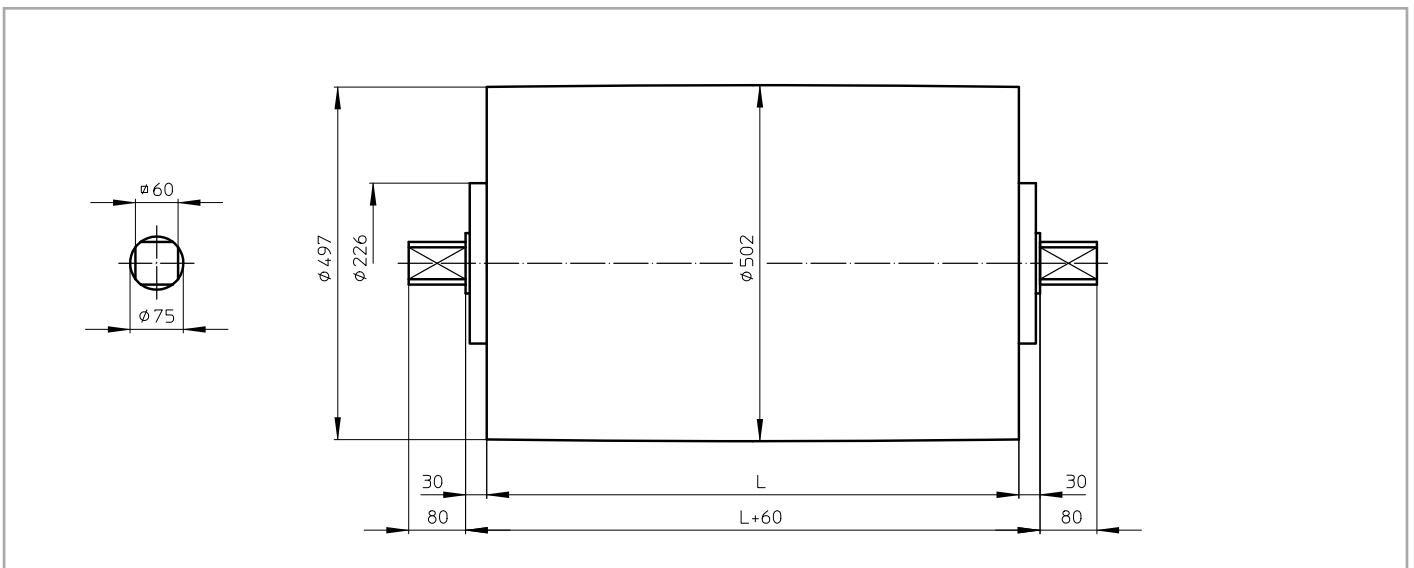
TM 500A75

TM 500A75, mildsteel drummotor with cast iron junction box



KT 500A75

KT 500A75, mildsteel taildrum





Cable exit

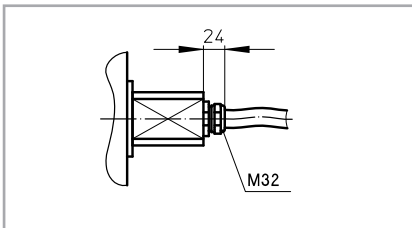
Standard execution of a TM 500-75 is with a cast iron terminal box.

On request a drummotor can be fitted with a cable. In this case it is important to know the available voltage (preferably 1 voltage), the length of the cable, whether the cable is shielded or not and the type of cable exit.

An overview of available cable exits is shown below.

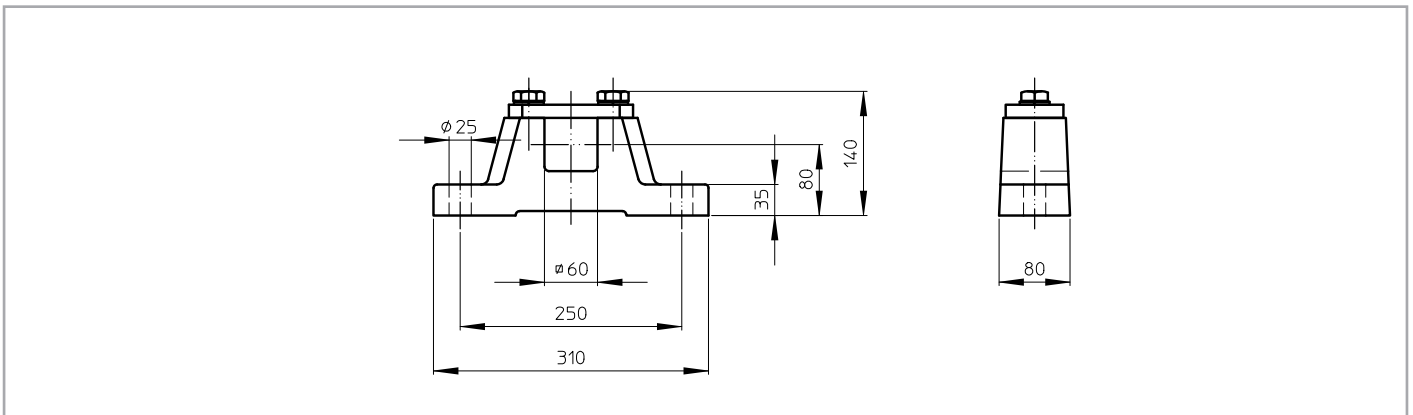
Option 1

Straight cable exit with cable gland



AB 75

AB 75, cast iron or steel bracket





Product overview TM 620A75

TYPE TM 620A75	Power kW	Bellspeed m/s at 50 Hz				Min. L mm Design A	Full load curr. 400 V - 50 Hz I = ... A	Weight kg L=850
		Beltpull N						
440 ZV	30,0	3,90 7310	3,10 9190	2,50 11400		950	52,0	
430 ZV	22,0	3,90 5360	3,10 6740	2,50 8360	2,00 10450	850	37,0	700
425 ZV	18,5	3,90 4505	3,10 5670	2,50 7030	2,00 8790	850	32,0	690
620 ZV	15,0	2,60 5480	2,10 6785	1,60 8905	1,25 11400	850	31,5	700
815 ZV	11,0	2,00 5225	1,50 6965	1,25 8360	1,00 10450	850	26,0	700

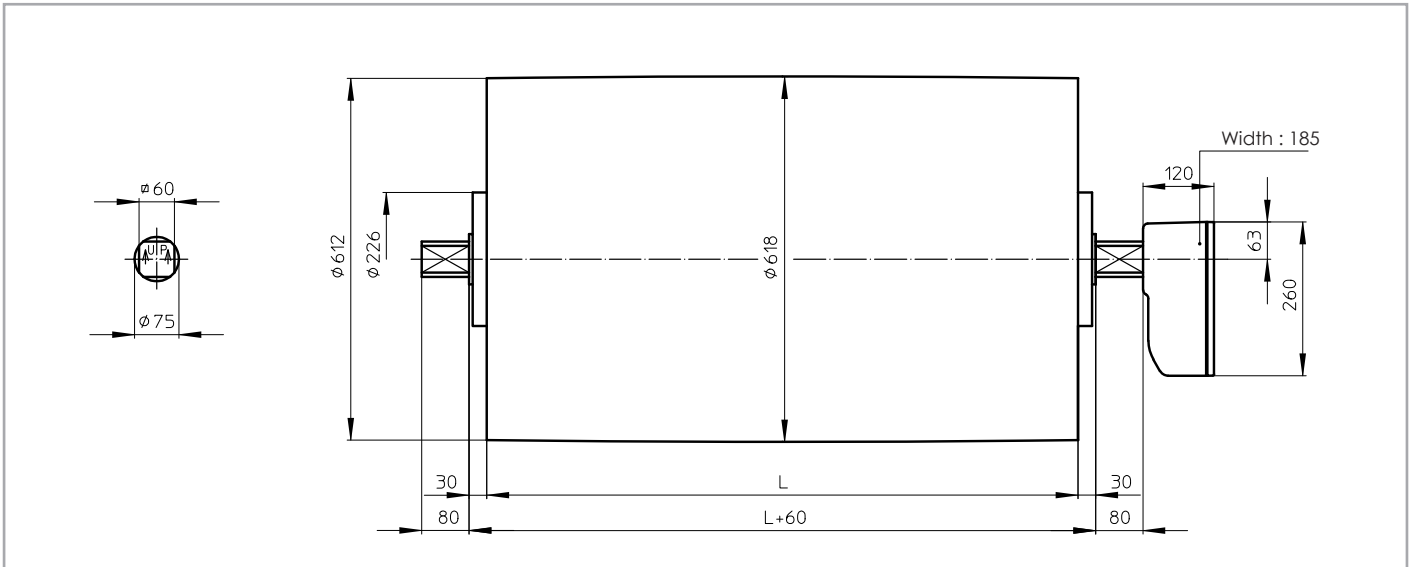
Available standard facewidth's: 850 - 900 - 950 - 1000 - 1050 - 1100 - 1150 - 1400 - 1600 mm
 The total weight of a drummotor grows approx. 38,7 kg. per 100 mm.
 Available torque: $(\text{Beltpull N} \times \text{Drum diameter m}) / 2 \text{ Nm}$



Dimensions

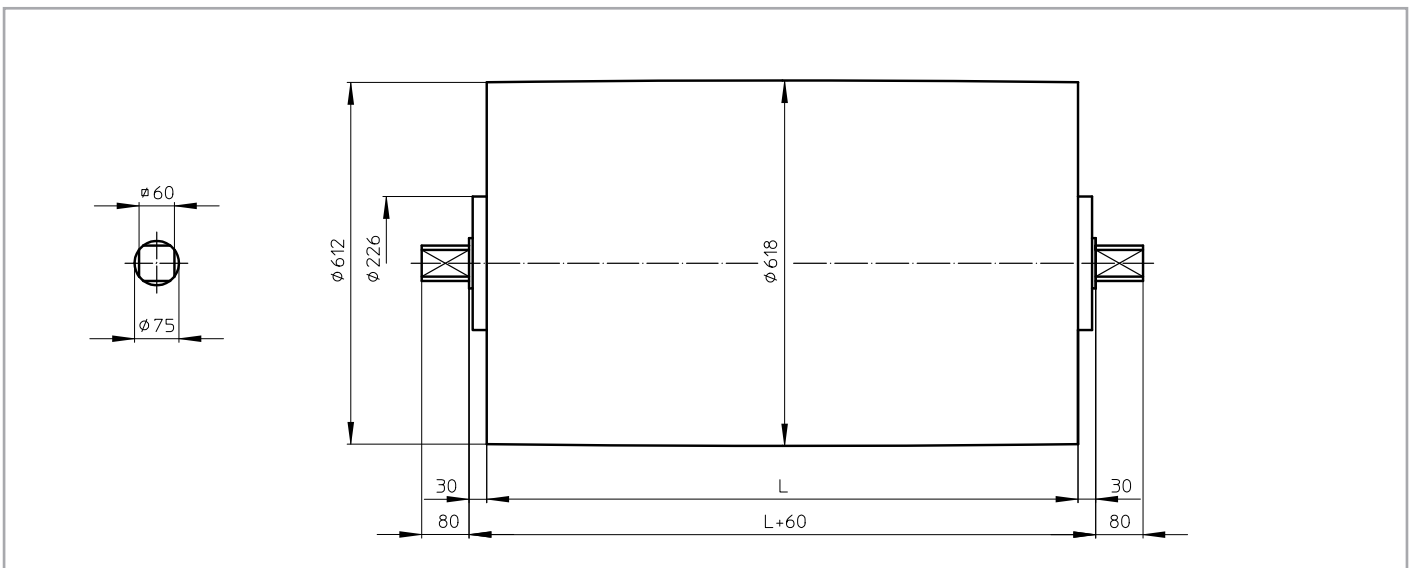
TM 620A75

TM 620A75, mildsteel drummotor with cast iron junction box



KT 620A75

KT 620A75, mildsteel taildrum





Cable exit

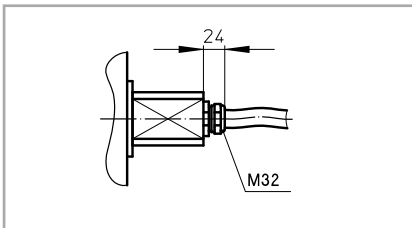
Standard execution of a TM 620-75 is with a cast iron terminal box.

On request a drummotor can be fitted with a cable. In this case it is important to know the available voltage (preferably 1 voltage), the length of the cable, whether the cable is shielded or not and the type of cable exit.

An overview of available cable exits is shown below.

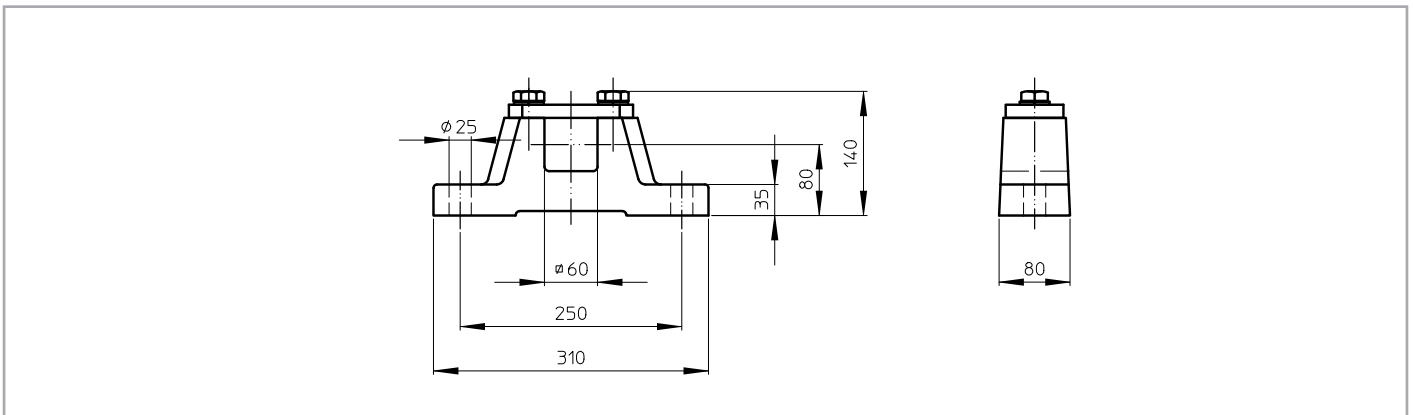
Option 1

Straight cable exit with cable gland



AB 75

AB 75, cast iron or steel bracket





Van der Graaf

Power Transmission Equipment

Contact us

Netherlands

Van der Graaf B.V.
De Weijert 14
Postbus 3
8325 ZG Vollenhove
Tel: 00 31 527 241441
Fax: 00 31 527 241488
E-mail: info@vandergraafpte.nl
www.vandergraafpte.nl

USA

Van der Graaf Corp.
1481 Trae Lane
Lithia Springs GA
30122 Atlanta
Tel: 00 1 770 819 6573
00 1 770 819 6566
Fax: 00 1 770 819 6675

Canada

Van der Graaf Inc.
2 Van der Graaf Court
Brampton
Ontario L6T 5R6
Tel: 00 1 905 793 8100
Fax: 00 1 905 793 8129
E-mail: info@vandergraaf.com
www.vandergraaf.com

Germany

Van der Graaf GmbH
Rheiner Straße 24 B
48432 Rheine-Mesum
Tel: 00 49 5975 306210
Fax: 00 49 5975 3062120
E-mail: info@vandergraaf.de
www.vandergraaf.de

Great Britain

Van der Graaf U.K. Ltd.
Unit 23, The Metro Centre
Welbeck Way Woodston
Peterborough PE2 7UH
Tel: 00 31 527 241441
Fax: 00 31 527 241488
E-mail: sales@vandergraaf.co.uk
www.vandergraafpte.biz

Sweden

Van der Graaf Scandinavia AB
Spinngatan 2
260 50 Billesholm
Tel: 00 46 42 22 0802
Fax: 00 46 42 22 0803
E-mail: info@vandergraaf.se
www.vandergraaf.se